



Dock Shelter WI 300 Model

Spare Parts List



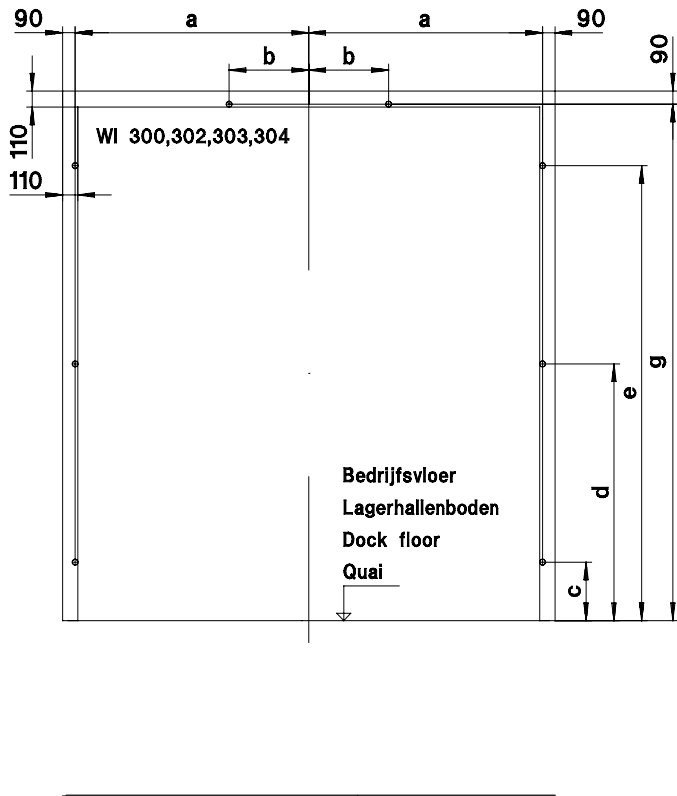


Fig. 3

Fixing Area  
Montagefläche  
Zone de fixation

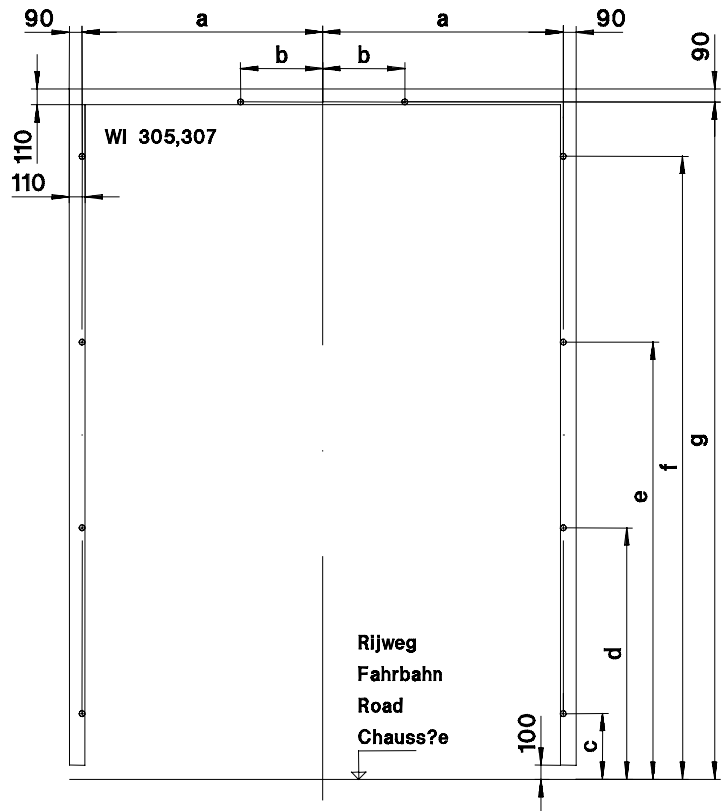


Fig. 4

Montage ondergrond

	WI 300	WI 302	WI 303	WI 304	WI 305	WI 307
a	1685	1785	1685	1785	1685	1785
b	575	575	575	575	575	575
c	400	400	400	400	500	500
d	1757	1757	1757	1757	1857	1857
e	3114	3114	3514	3514	2957	2957
f					4314	4314
g	3535	3535	3935	3935	4735	4735

Tab. 1

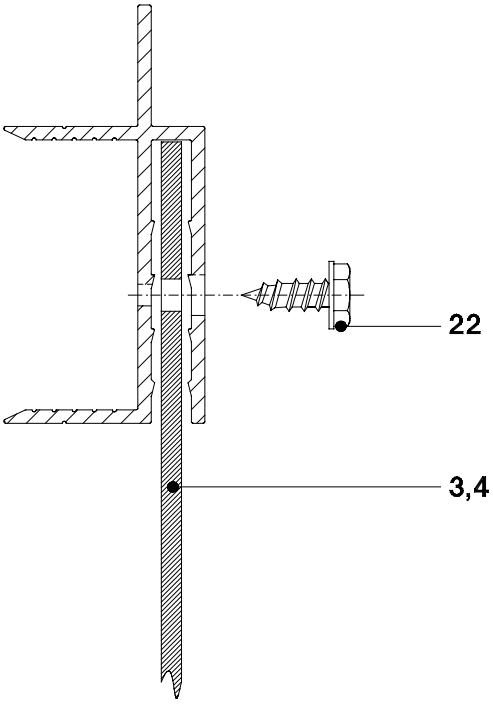


Fig. 5

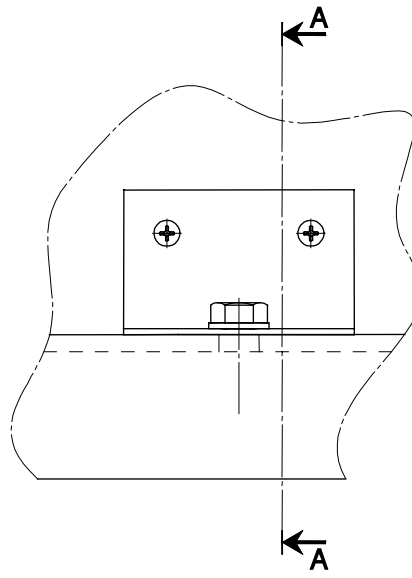


Fig. 6

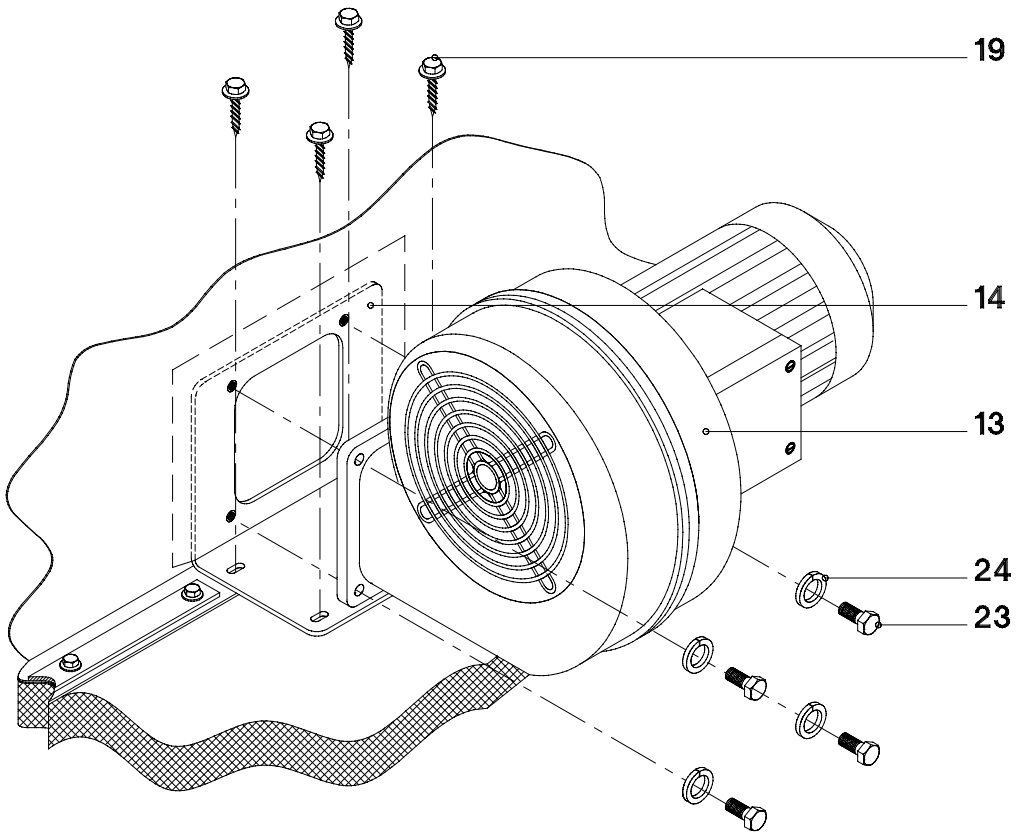
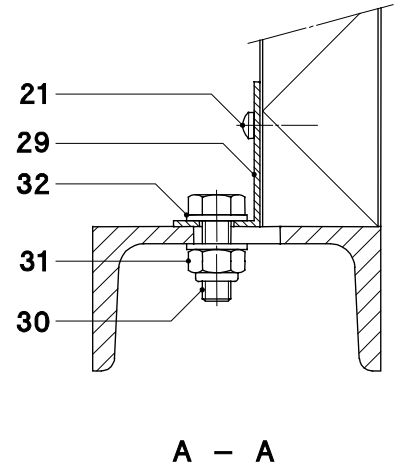


Fig. 7

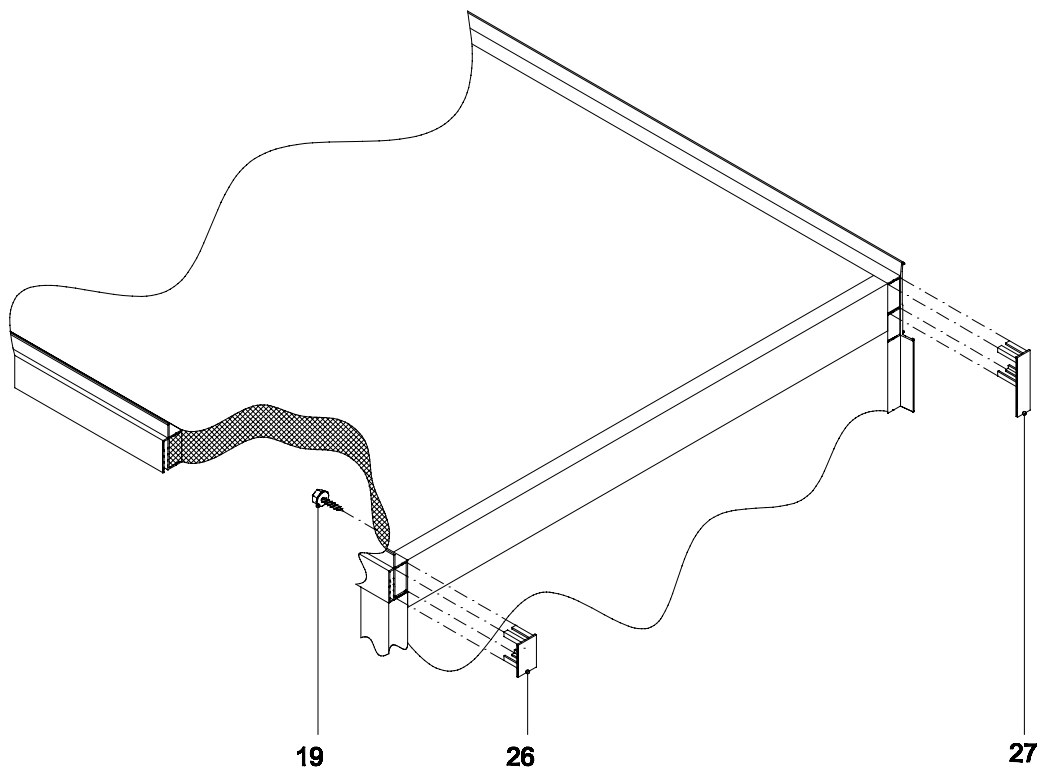


Fig. 8

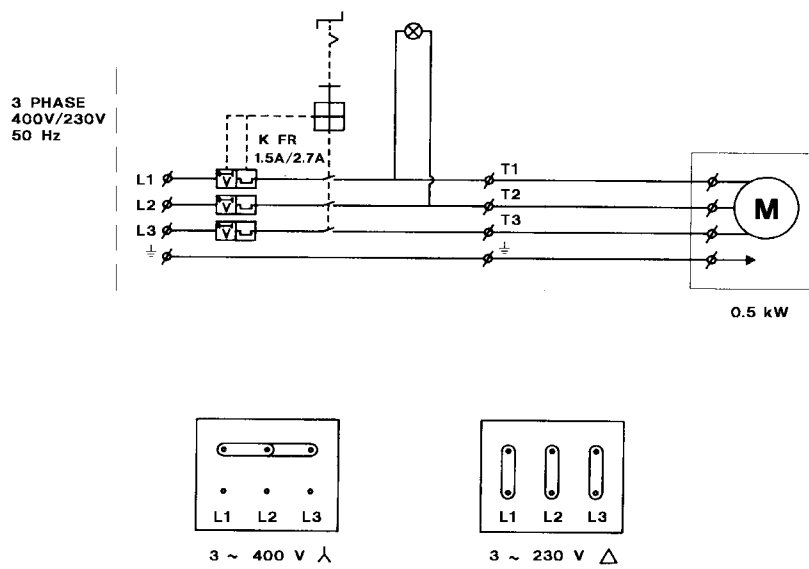


Fig. 9

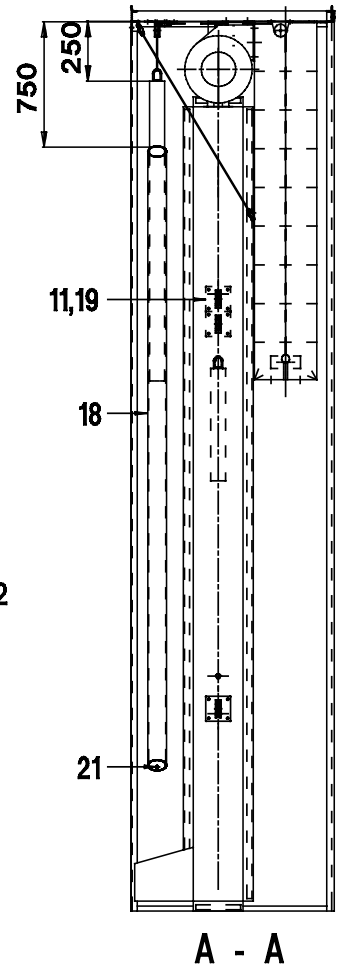
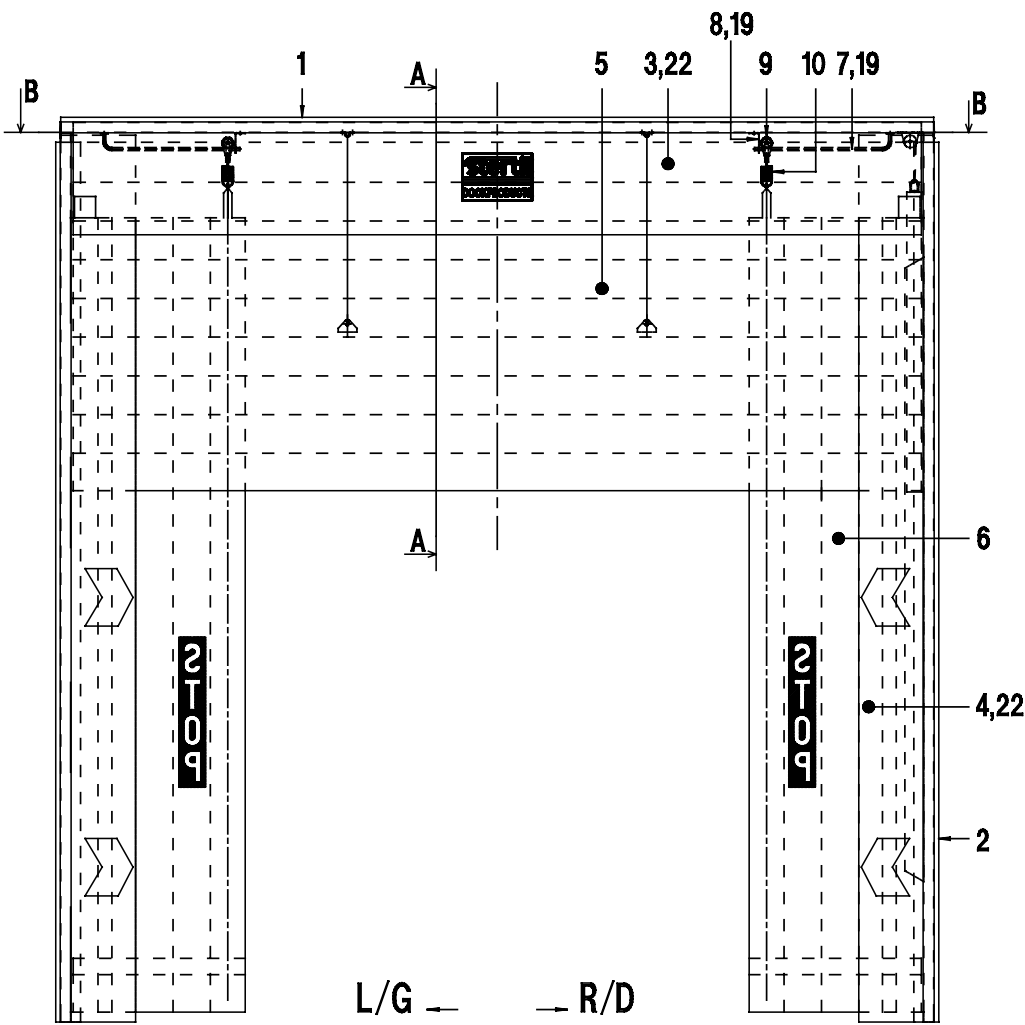
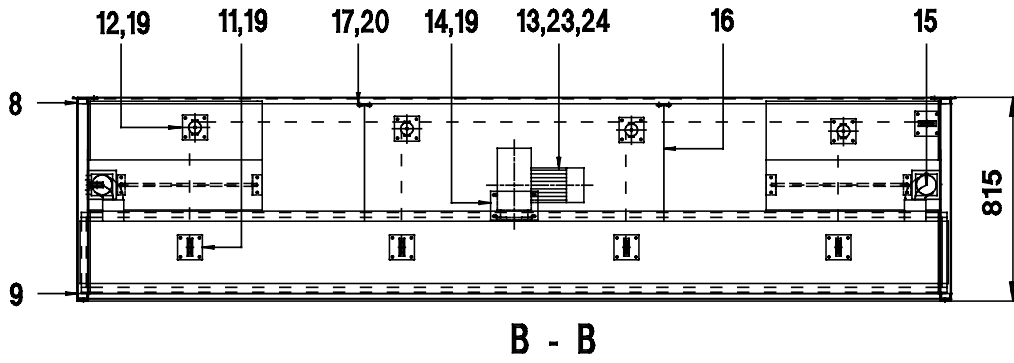


Fig. 10

12. ONDERDELENLIJST/ ERSATZTEILLISTE / SPARE PARTSLIST / LISTE PIÈCES

Pos	Omschrijving, Beschreibung, Description, Description	Code, Kode, Code, Code	Aantal, Zahl, numb, Nomb	WI 300 21-23	WI 300 21-19	WI 302 23-23
1	Bovensectie, Deckplatte, Top section, Section supérieure		1	15.300.500	15.390.500	15.302.500
2	Zijsectie, Seitenplatte, Side section, Section lateral	L/R, L/R, L/R, G/D	1	15.300.300/400	15.300.300/400	15.303.300/400
3	Bovengordijn, Oberschürzen, Top curtain, Rideau supérieure		1	15.300.020	15.300.020	15.302.020
4	Zijgordijn, Seitenschürzen, Side curtain, Rideau lateral	L/R, L/R, L/R, G/D	1	15.300.010/015	15.300.010/015	15.302.010/015
5	Bovenkussen, Oberkissen, Top cushion, Coussin supérieure		1	15.300.520	15.390.520	15.302.520
6	Zijkussen, Seitenkissen, Side cushion, Coussin supérieure	L/R, L/R, L/R, G/D	1	15.300.320/420	15.300.320/420	15.300.320/420
7	Geleidestang, Führungsstange, Guide bar, Barre de guidage		2	15.300.516	15.300.516	15.300.516
8	L-plaat, L-platte, L-plate, L-plaque		2	15.300.519	15.300.519	15.300.519
9	Katrol, Talje, Pulley, Poulie		2	15.200.355	15.200.355	15.200.355
10	Veer, Feder, Spring, Resort		2	15.300.514	15.300.514	15.300.514
11	Katrol haaks, Talje quer, Pulley perpendicular, Poulie perpendiculaire		11	15.300.330	15.300.330	15.300.330
12	Katrol parallel, Talje parallel, Pulley parallel, Poulie parallèle		4	15.300.335	15.300.335	15.300.335
13	Ventilator, Ventilator, Blower, Ventilateur		1	15.300.065	15.300.065	15.300.065
14	Montageplaat, Montageplatte, Mounting plate, plaque de montage		1	15.300.570	15.300.570	15.300.570
15	Lucht slang, Luftschlauch, Air hose, Tuyeau du air		2	15.300.050	15.300.050	15.300.050
16	Spanner, Spanner, Suspender, Tendeur		2	15.200.080	15.290.080	15.200.080
17	Bevestigingsbeugel, Befestigungsöse, fixation eye, Oeil de fixation	RVS, Rostfrei, Stainless, Inox	4 (2)	15.300.331	15.300.331	15.300.331
18	Buis, Rohr, Tube, Tube	PE	1	15.300.072	15.300.072	15.300.072
19	Schroef, Schraube, Screw, Vis	6,3x25	-	65.038.002	65.038.002	65.038.002
20	Schroef, Schraube, Screw, Vis	4,8x13 DIN7976C	-	65.045.015	65.045.015	65.045.015
21	Schroef, Schraube, Screw, Vis	4,8x19 DIN7982CH	6	65.036.262	65.036.262	65.036.262
22	Schroef, Schraube, Screw, Vis	4,8x32 DIN7976C	-	65.045.010	65.045.010	65.045.010
23	Bout, Schraube, Bolt, Boulon	M8x20	4	1035.31.05.29	1035.31.05.29	1035.31.05.29
24	Veerring, Federring, Spring lock washer, Rondelle elastique	M8	4	65.058.024	65.058.024	65.058.024
25	Sluistring, Ringe, Washer, Anneau	35x11x1,5alu		65.655.713	65.655.713	65.655.713
26	Dop, Büchse, Cap, Capuchon		2	15.300.009	15.300.009	15.300.009
27	Dop, Büchse, Cap, Capuchon		2	15.300.008	15.300.008	15.300.008
28a	Schakelaar, Schalter, Switch, Interrupteur	230 V	1	15.300.040	15.300.040	15.300.040
28b	Schakelaar, Schalter, Switch, Interrupteur	400V	1	15.300.030	15.300.030	15.300.030
29	Bevestigingsprofiel, Befestigungsprofil, Mounting profile, Profilé de fixation		2	15.300.006	15.300.006	15.300.006
30	Bout, Schraube, Bolt, Boulon	M10x30	2	65.003.407	65.003.407	65.003.407
31	Borgmoer, Mutter, Nut, Écrou	M10	2	65.051.034	65.051.034	65.051.034
32	Sluistring, Unterlegscheiben, Washer, Bague de blocage	M10	4	65.055.019	65.055.019	65.055.019

