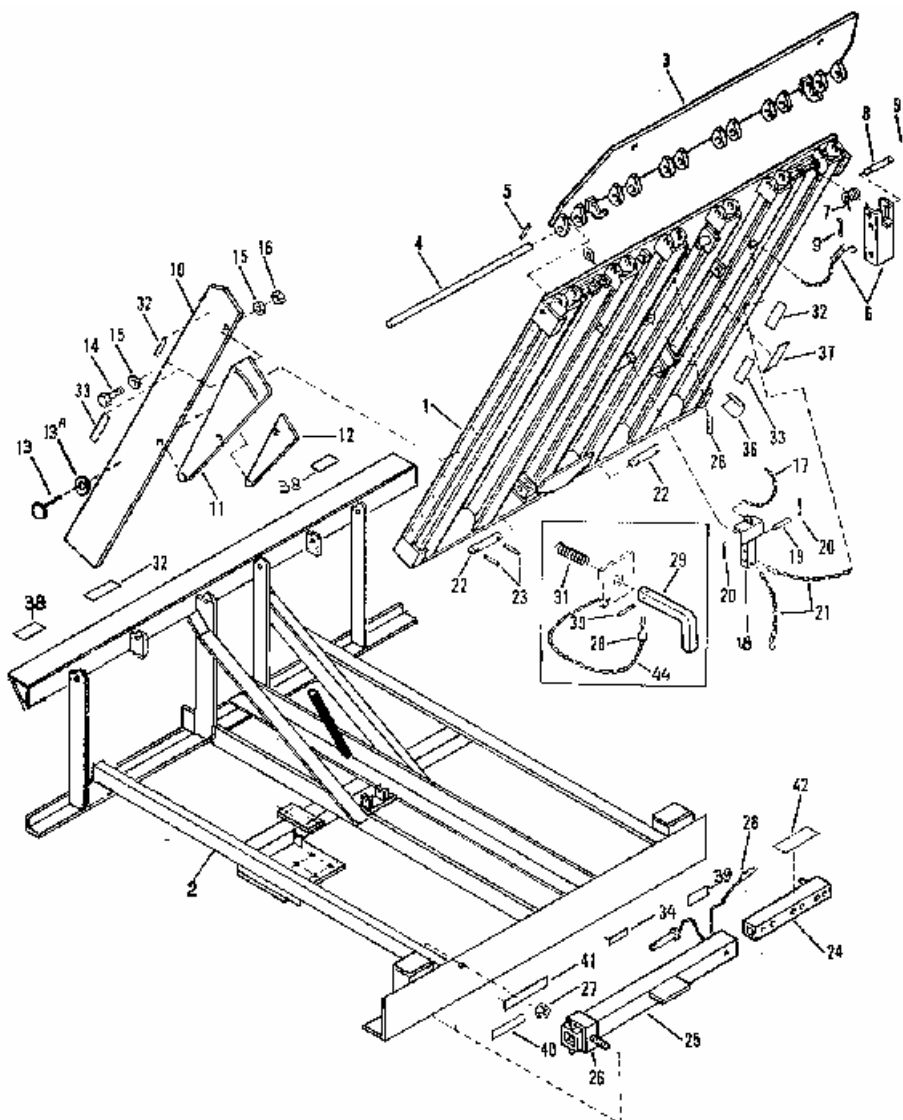


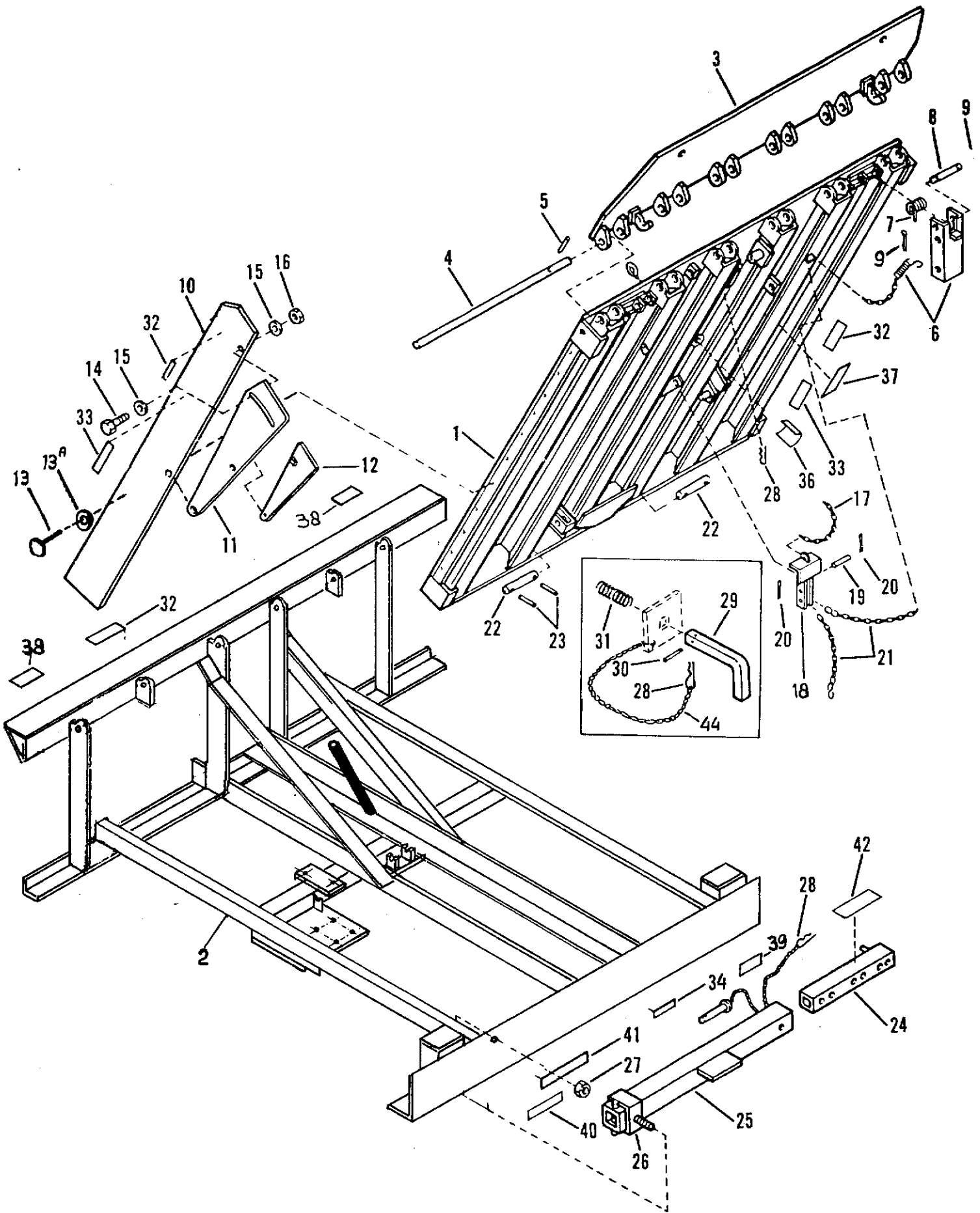


## Dock Leveller HK Model

### Spare Parts List



# RAMP, LIP, SUBFRAME AND CROSS TRAFFIC LEG ASSEMBLIES



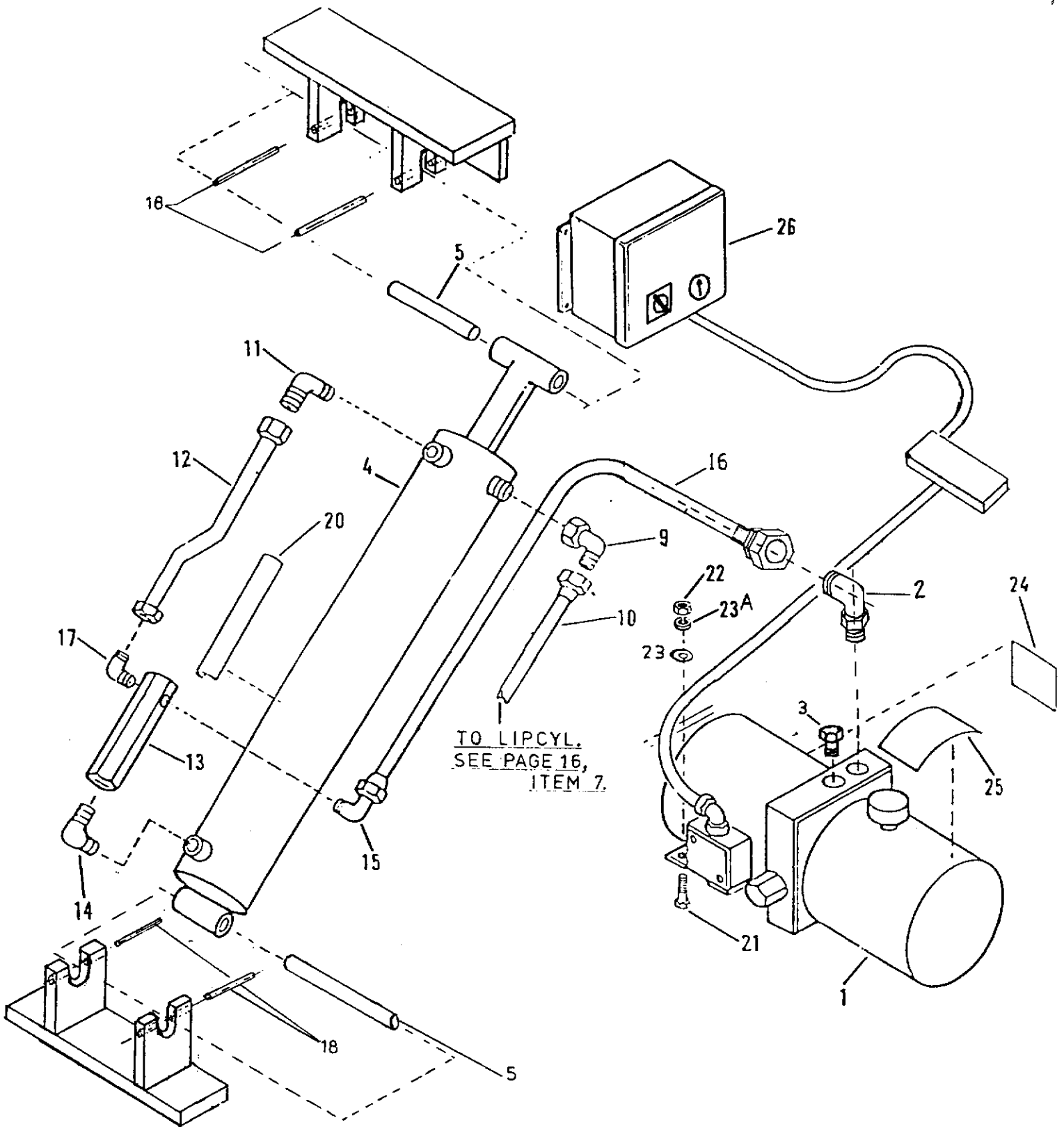
Hydr. Dockb. Ser. 4

Item	Qty	Description	Part. no.	Remark	Item	Qty	Description	Part. no.	Remark
1	1	Adjustable Ramp	See Chart 1		23	4	Pin Roll	65-077-164	
2	1	Subframe assembly	See Chart 2		24	1	Tube, Inner Maint Strut	125-235	
3	1	Hinged Lip	See Chart 3		25	1	Tube, Bottom Maint Strut	125-236	
4	2	Lip Shaft	See Chart 4		26	1	Bracket Maint. Strut Guide	006-309	
5	2	Pin Roll Ø6 x 40	65-077-164		27	1	Nut, Lock M10	65-051-034	
6	2	Cross Traffic Leg	01-510-100		28	3	Pin, Cotter Hair	035-200	
7	2	Spring Cross Traffic Leg	030-195		29	1	Lever Lip Lock	700-134	
8	2	Pin	01-410-101		30	1	Pin, Roll 3/16" x 2 Lg	035-149	
9	4	Pin Cotter Ø 4 x 30	65-074-216		31	1	Spring Tension	700-135	
10	2	Toeguard	See Chart 5		32	3	Label Warning	138-720	
11	2	Toeguard	See Chart 5		33	2	Decal "Do not lift this side"	138-578	ONLY 6' & 8' D.B.
12	2	Toeguard	See Chart 5		34	1	Decal Caution	138-526	
*13	A.R.	Nail EDN 19	65-099-010	Factory mounted	35				
13A	A.R.	Ring R 23	65-099-009	Factory mounted	36	1	Decal, Warning Cup	138-685	
14	A.R.	Screw trusshead M 10x25	65-025-014		37	1	Decal, Liplock	138-726	
15	A.R.	Washer Flat 10,5/30 x 1,5	65-055-712		38	2	Decal "Lift here"	138-604	
16	A.R.	Nut Lock M10	65-051-034		39	1	Plate Serial	140-500	
17	1	Chain Release	01-510-375		40	1	Decal "Stokvis-Kelley"	01-410-022	
18	1	Pivot Assembly	093-064		41	1	Decal Logo	138-510	
19	1	Pin	01-410-010		42	1	Decal Maint Strut	138-725	
20	2	Pin Cotter Ø 4 x 30	65-074-216		43				
21	2	Chain, below dock control	See Chart 6		44	1	Chain Assy	920-379	
22	2	Pin Hinge	01-410-011		*13	A.R.	Self Tapping Screw 14x3/4"	65-038-101	Field Mounted

CHART 1

ITEM	QUANTITY		DESCRIPTION	STANDARD D B's			JUMBO's		
	6'W	7'W		6'	8'	10'	3,5 M	4 M	4,5 M
1	1	1	Adjustable Ramp "	01-511-000 01-521-000	01-531-000 01-541-000	01-551-000 01-561-000	01-571-000 01-576-000	01-581-000 01-586-000	01-591-000 01-596-000
CHART 2	2								
2	1	1	Subframe Subframe	01-512-000 01-522-000	01-532-000 01-542-000	01-552-000 01-562-000	01-572-000 01-577-000	01-582-000 01-587-000	01-592-000 01-597-000
CHART 3	3								
3	1	1	Hinged lip 16" Hinged lip 16"	01-413-000 01-423-000	01-413-000 01-423-000	01-413-000 01-423-000	01-413-000 01-423-000	01-413-000 01-423-000	01-413-000 01-423-000
Opt	1	1	Hinged lip 18" Hinged lip 18"	01-419-010 01-429-010	01-419-010 01-429-010	01-419-010 01-429-010	01-419-010 01-429-010	01-419-010 01-429-010	01-419-010 01-429-010
Opt	1	1	Hinged lip 20" Hinged lip 20"	01-439-020 01-449-020	01-439-020 01-449-020	01-439-020 01-449-020	01-439-020 01-449-020	01-439-020 01-449-020	01-439-020 01-449-020
			Note: For 22" and 24" lips consult factory						
CHART 4	4								
4	1	1	Lip shaft Lip shaft	01-410-014 01-420-014	01-410-014 01-420-014	01-410-014 01-420-014	01-410-014 01-420-014	01-410-014 01-420-014	01-410-014 01-420-014
CHART 5	5								
10	1	1	Toeguard	01-410-015	01-430-015	01-450-015	01-470-015	01-480-015	01-490-015
11	1	1	Toeguard	01-410-016	01-430-016	01-450-016	01-470-016	01-480-016	01-490-016
12	1	1	Toeguard	-	-	01-450-017	01-470-017	01-480-017	01-490-017
CHART 6	6								
21	1	1	Chain, below dock control	01-510-350	01-530-350	01-550-350	01-570-350	01-570-350	01-570-350

# PUMP/MOTOR AND MAIN LIFTING CYLINDERS ASSEMBLIES



Hydr. Dockb. Ser. 4

Item	Qty	Description	Part no.	Remarks
1	1	Pump Motor Assembly	See Chart 1	
2	1	Elbow	031-011	
3	1	Closing Plug 9/16 - 18	01-510-051	
4	1	Cilinder lifting	700-137	
5	2	Pin cylinder	01-510-021	
6	-			
7	-			
8	-			
9	1	Elbow 90° male 3/8" TB x 1/4" NPT	138-535	
10	1	Hose (To Lipcyl.)	See Chart 2	
11	1	Elbow, 90° male 1/2" TB x 1/2" NPT	206-218	
12	1	Tube Hyd. 1/2" O.D.	058-324	
13	1	Valve Panic	150-043	
14	1	Elbow Street, 90° 1/2" NPT	206-522	
15	1	Elbow 90° 3/8 NPT x 3/8 "NSPM	146-013	
16	1	Hose Hyd 3/8"	700-165	
17	1	Elbow, 90°, 1/2" TB x 3/8" NTP (Male)	206-523	
18	4	Roll Pin Ø8 x 55	65-077-193	
19	-			
20	1	Decal Panic Valve	138-535	
21	4	Bolt M6 x 20	65-003-287	
22	4	Nut M6	65-050-128	
23	4	Washer Flat	65-055-414	
23A	4	Washer Lock	65-058-018	
24	1	Label Caution	159-071	
25	1	Label Caution	138-751	
26	1	Control Box	01-049-003	
27	-			

CHART 1

ITEM	6'W	7'W	DESCRIPTION	6'	8'	10'	3,5 M	4 M	4,5 M
1	1	1	Pump motor ass'y 3 phase 380 V	01-510-050	01-510-050	01-510-050	01-510-050	01-510-050	01-510-050

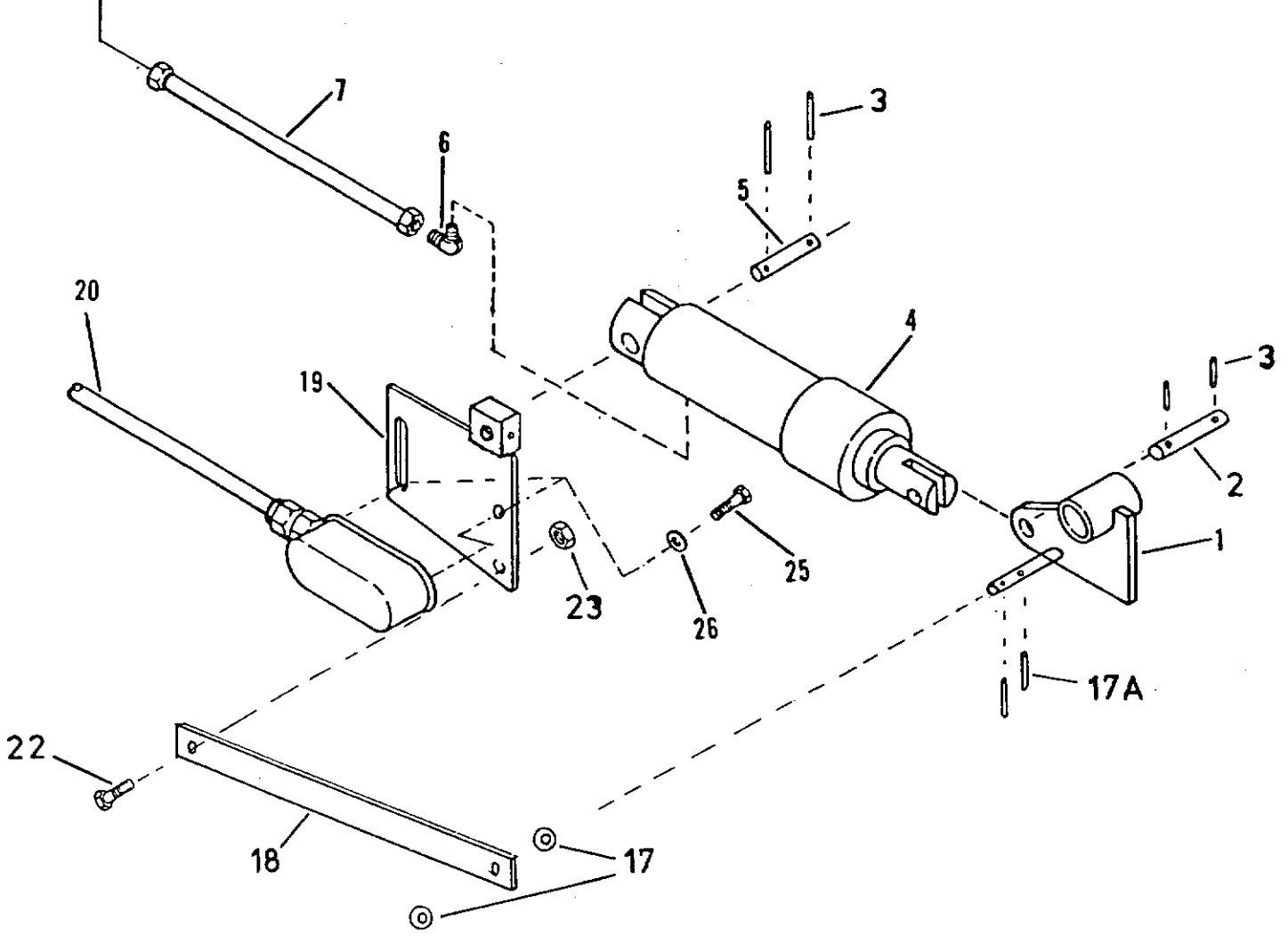
Remark: for different power supply consult factory

CHART 2

ITEM	6'W	7'W	DESCRIPTION	700-179	700-179	01-550-055	01-570-055	01-570-055	01-570-055
10	1	1	Hose (to lip cyl.)	700-179	700-179	01-550-055	01-570-055	01-570-055	01-570-055

# LIP LIFTING CYLINDER AND MERCURY SWITCH ASSEMBLY

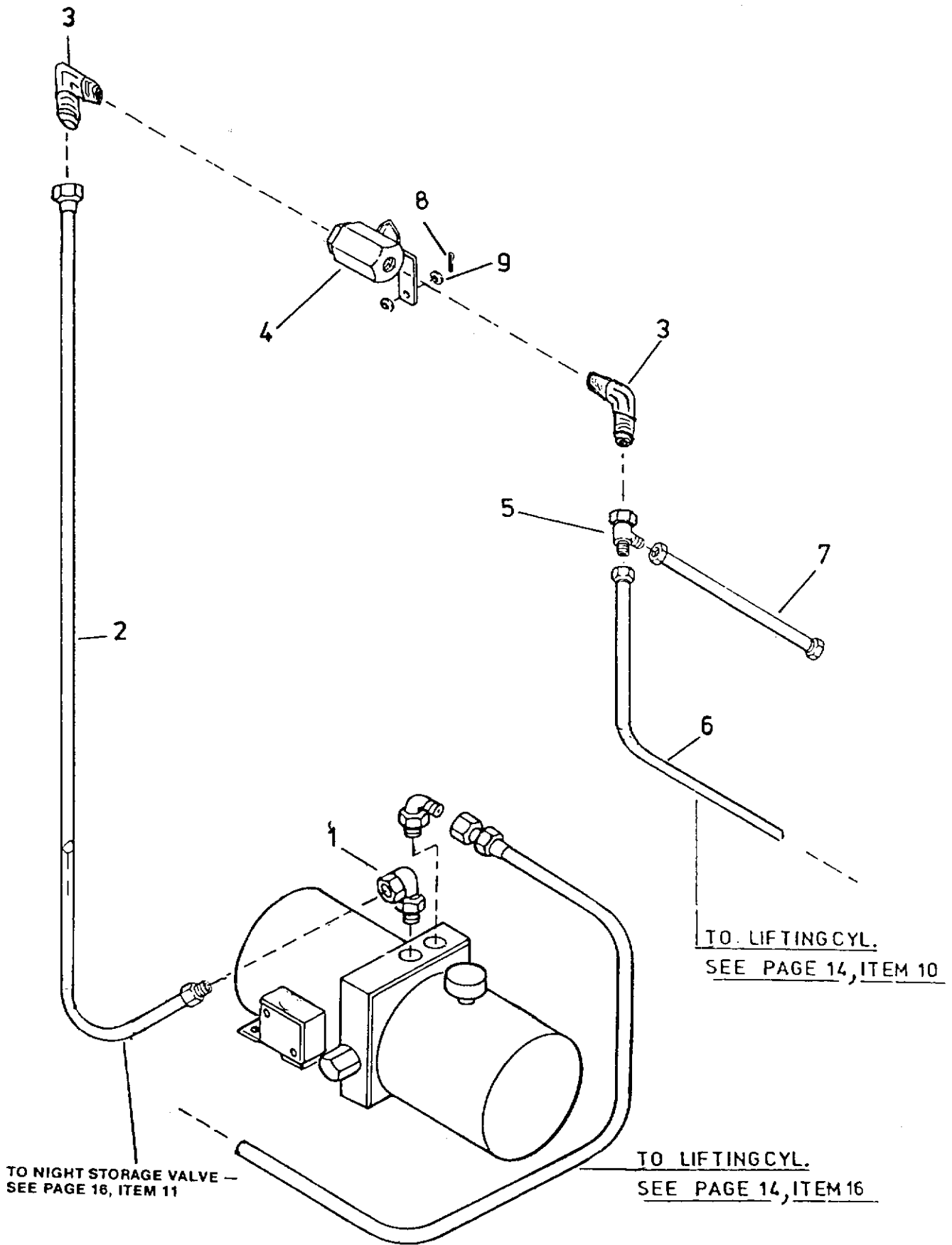
TO LIFTINGCYL.  
SEE PAGE 14, ITEM 10



Hydr. Dockb. Ser. 4

Item	Qty	Description	Part no.	Remarks
1	1	Lip Lifter		
2	1	Pin	01-510-250	
3	4	Roll Pin $\emptyset$ 4.5 x 30	65-077-120	
4	1	Cylinder Lip	700-051	
5	1	Pin	01-510-019	
6	1	Elbow 90° male 3/8 TB x $\frac{1}{4}$ NPT	206-069	
7	1	Hose	See Chart 2	bage 15
8	-			
9	-			
10	-			
11	-			
12	-			
13	-			
14	-			
15	-			
16	-			
17	2	Washer	65-055-210	
17a	2	Roll Pin $\emptyset$ 3,5 x 26	65-077-081	
18	1	Link	01-510-018	
19	1	Mounting Plate Assembly	01-510-400	
20	1	Mercury Switch Assembly	149-136	
21	-			
22	1	Screw	65-025-014	
23	1	Nut lock	65-051-034	
24	-			
25	2	Pan HD Screw # 8-32 x 5/8"	65-045-001	
26	2	Washer R 23	65-099-009	

NIGHT STORAGE VALVE (OPTIONAL)





Hydr. D B Night Storage Valve (optional)

Item	Qty	Description	Part no.	Remarks
1	1	Elbow	146-032	
2	1	Hose	See Chart 1	
3	2	Elbow	206-069	
4	1	Night Storage Valve	700-142	
5	1	Tee 6R6 x - s	01-519-805	
6	1	Hose (to lift cyl.)	01-519-803	
7	1	Hose (to lip cyl.)	See Chart	
8	1	Cotter Pin 04 x 30	65-074-216	
9	2	Washer R 23	65-099-009	

Hydr. D.B. Night Storage Valve (Optional).

CHART 1

TEM	6'W	7'W	DESCRIPTION	6'	8'	10'	3,5 m	4 m	4,5 m
2	1	1	Hose	01-519-801	01-519-801	01-559-801	01-559-801	01-559-801	01-559-801

CHART 2

8	1	1	Hose	01-519-802	01-539-802	01-559-802	01-574-802	01-584-802	01-594-802
---	---	---	------	------------	------------	------------	------------	------------	------------