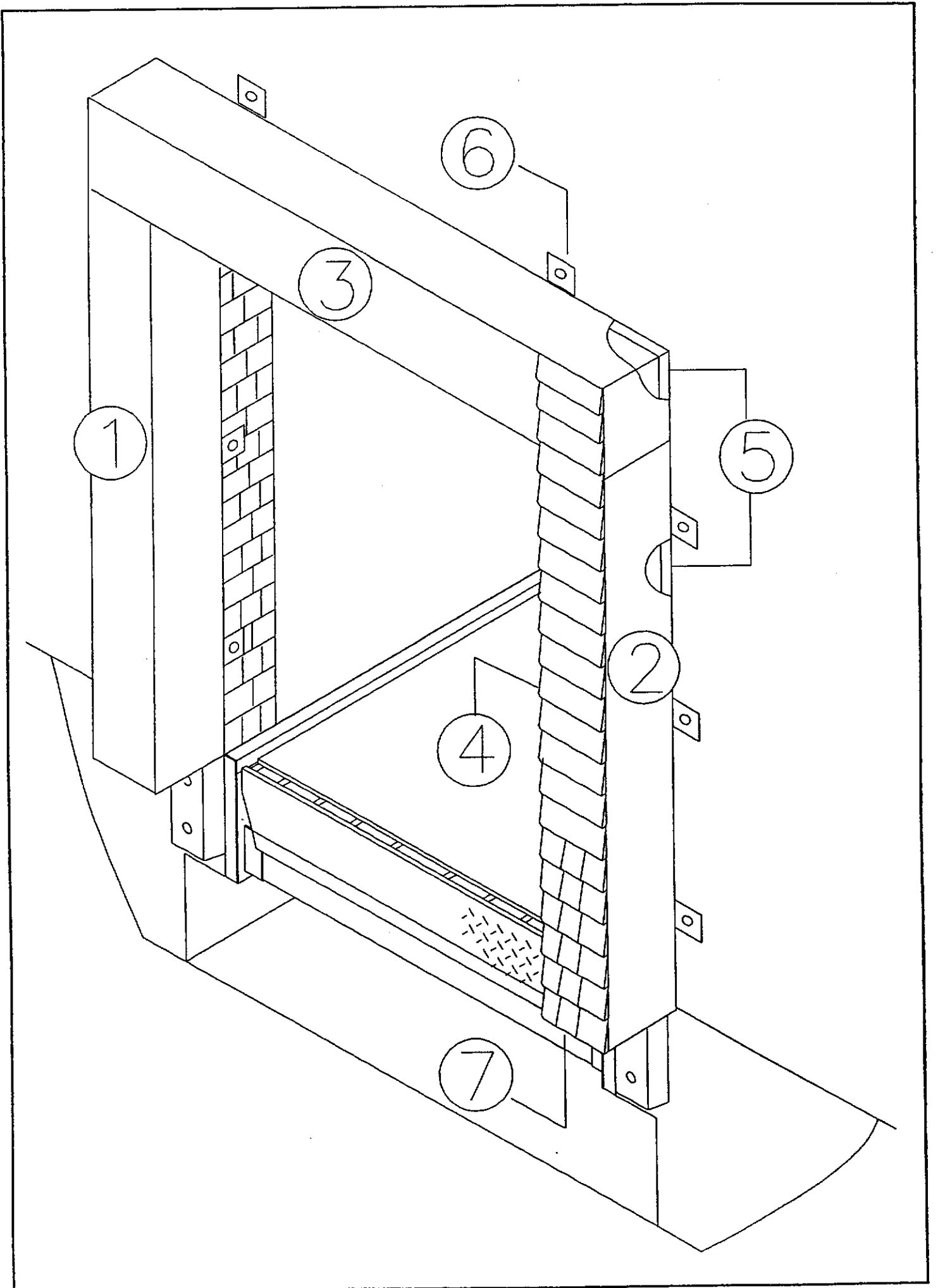




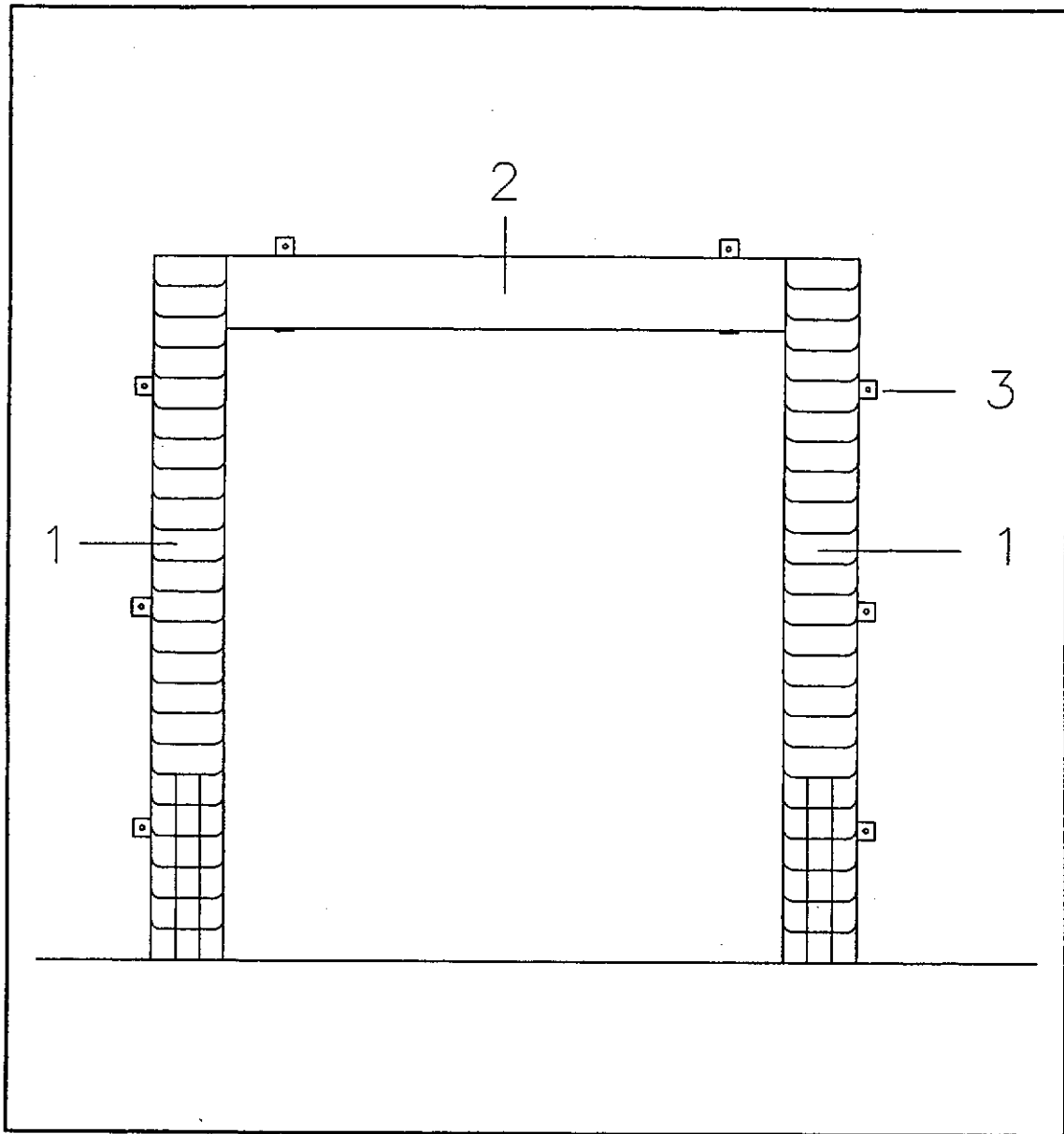
Dock Shelters DP, TP & TI Models

Spare Parts List

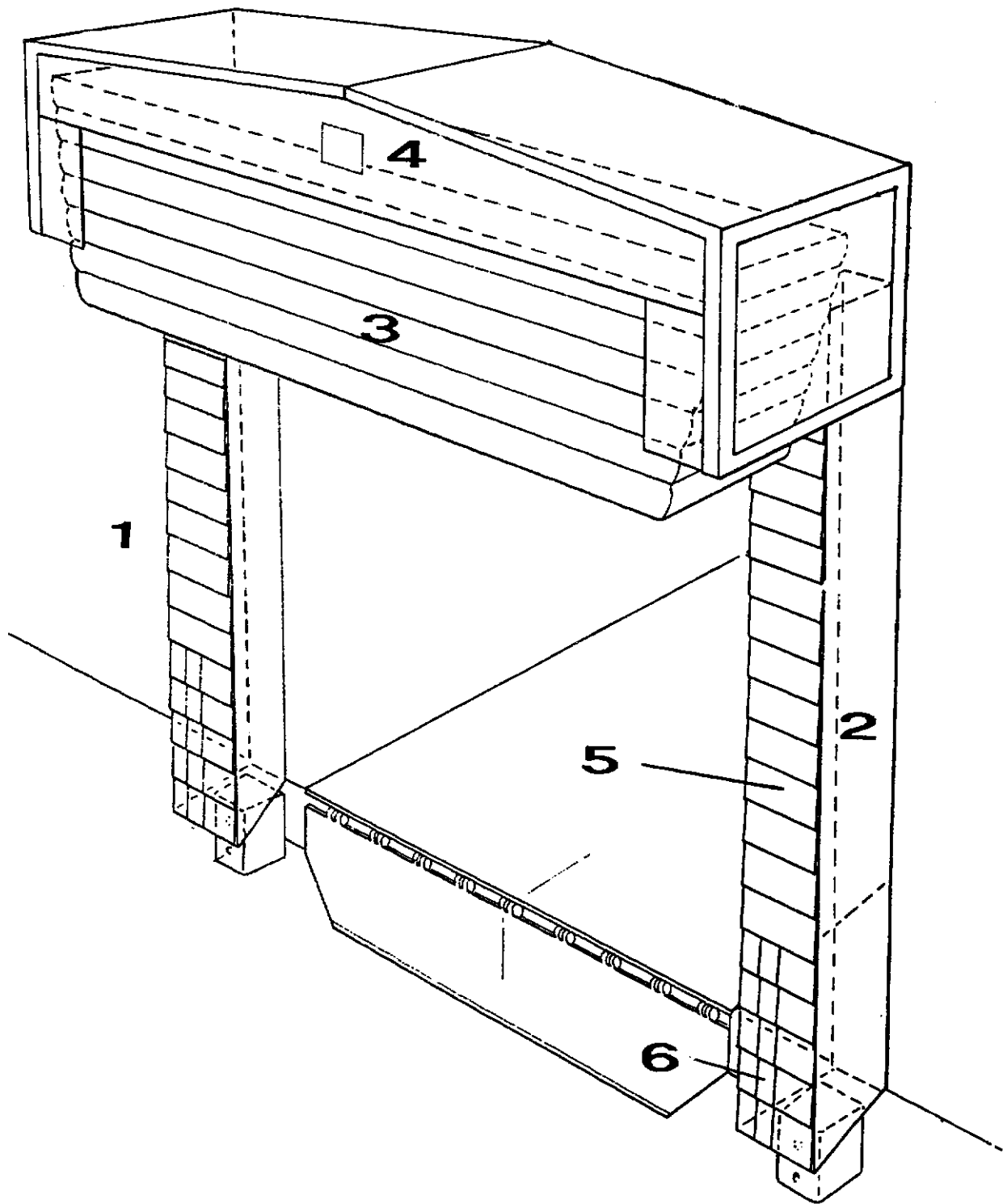




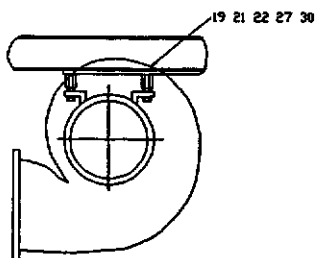
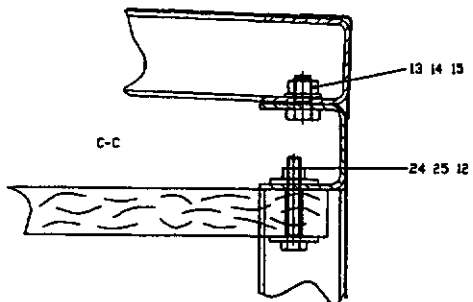
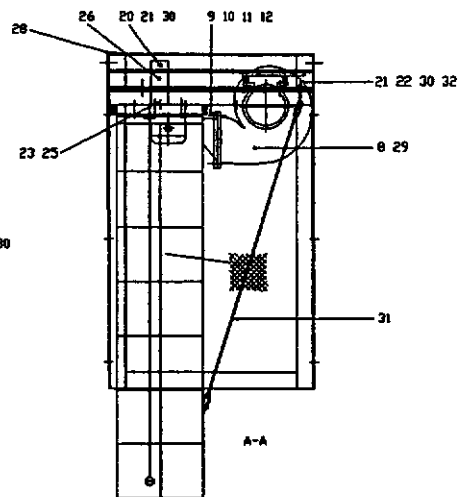
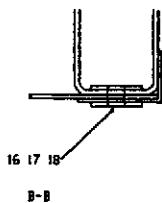
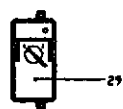
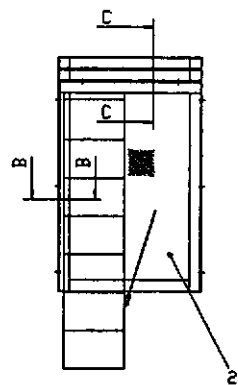
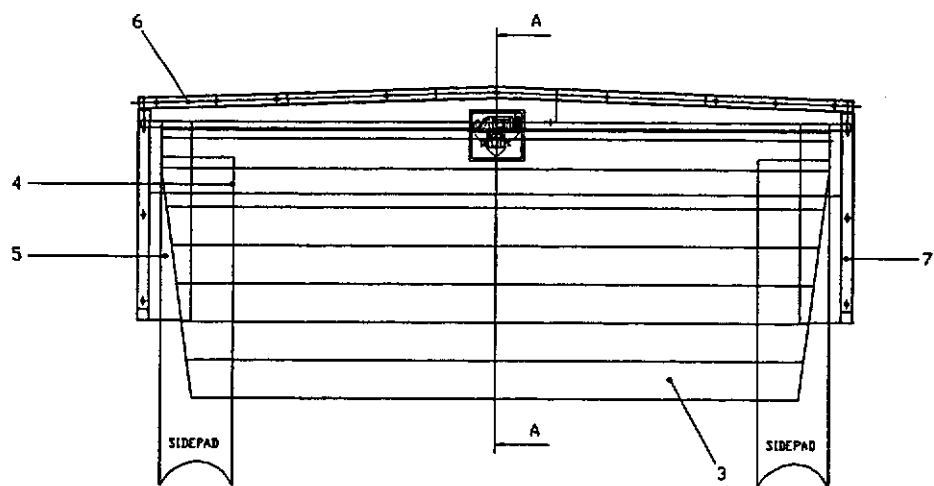
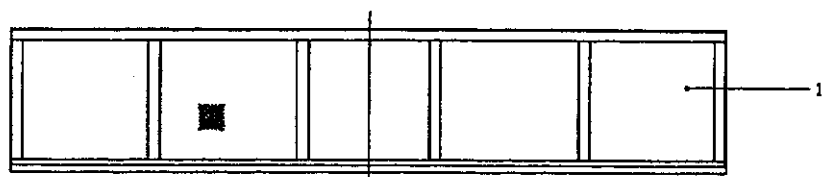
2.1 Onderdelen TP, Verzeichnis der Einzelteile TP, Parts list TP, Liste des pieces TP



| | | | | |
|---|---|---|--|------------|
| 3 | 8 | Bevestigingsbeugel Befestigungsprofil Fixing profile Profil de fixation | | 15.950.040 |
| 2 | 1 | Bovenkussensamenstelling Obenkissenzusammenstellung Headpad assembly Composition du coussin supérieur | | 15.910.050 |
| 1 | 2 | Zijkussensamenstelling Seitenkissenzusammenstellung Sidepad assembly Composition des coussin Latereaux | | 15.910.100 |



3.1 Onderdelen TI, Verzeichnis der Teile TI, Parts TI, Liste des pieces TI



| | | | | |
|----|----|--|----------------|------------|
| 32 | 2 | Schroefoog, Ringschraube, Eye screw, Piton à oeil | M6x20 | 925.360 |
| 31 | 2 | Beveiliging, Schutz, Protection, Protection | | 15.200.080 |
| 30 | 7 | Moer, Mutter, Nut, Ecou | M6 DIN 985 | 65.051.028 |
| 29 | 1 | Schakelaar, Schalter, Switch, Commutateur | | 15.200.030 |
| 28 | 1 | Strip, Streifen, Strip, Bande | L=3100 mm | 90.899.019 |
| 27 | 4 | Afstandsbus, Distanzbüchse, Distance tube, Douille d'écartement | Nylon | 66.201.002 |
| 26 | 1 | Beugel, Bügel, Bow, Étrier | | 15.970.060 |
| 25 | 9 | Ring, Ring, Washer, Anneau | M8 DIN 440 | 65.055.306 |
| 24 | 4 | Bout, Bolzen, Bolt, Boulon | M8x50 DIN 931 | 65.002.371 |
| 23 | 1 | Bout, Bolzen, Bolt, Boulon | 8x30 DIN 571 | 65.010.067 |
| 22 | 6 | Moer, Mutter, Nut, Ecou | DIN 934 | 65.050.128 |
| 21 | 8 | Ring, Ring, Washer, Anneau | DIN126 | 65.055.204 |
| 20 | 1 | Bout, Bolzen, Bolt, Boulon | M6x20 DIN 933 | 65.003.287 |
| 19 | 4 | Bout, Bolzen, Bolt, Boulon | M6x50 DIN 931 | 65.002.295 |
| 18 | 15 | Moer, Mutter, Nut, Ecou | M8 DIN 934 | 65.750.132 |
| 17 | 30 | Ring, Ring, Washer, Anneau | 11/35 AL | 65.655.713 |
| 16 | 15 | Inbusbout, Innensechskantschraube, Socket cap, Boulon à six pans creux | M8x25 RVS | 65.725.004 |
| 15 | 4 | Moer, Mutter, Nut, Ecou | M10 DIN 934 | 65.050.134 |
| 14 | 4 | Ring, Ring, Washer, Anneau | DIN 126 | 65.055.210 |
| 13 | 4 | Bout, Bolzen, Bolt, Boulon | M10x20 DIN 933 | 65.003.403 |
| 12 | 8 | Moer, Mutter, Nut, Ecou | M8 DIN 934 | 65.050.132 |
| 11 | 4 | Ring, Ring, Washer, Anneau | DIN 126 | 65.055.208 |
| 10 | 4 | Bout, Bolzen, Bolt, Boulon | M8x30 DIN 933 | 65.003.367 |
| 9 | 1 | Ring, Ring, Washer, Anneau | | 15.100.076 |
| 8 | 1 | Ventilator, Ventilator, Fan, Ventilateur | | 15.970.085 |
| 7 | 2 | Bevestigingsprofiel, Befestigungsprofil, Fixing profile, Profile de fixation | | 15.970.030 |
| 6 | 1 | Bevestigingsprofiel, Befestigungsprofil, Fixing profile, Profile de fixation | | 15.970.035 |
| 5 | 2 | Zijgordijn, Seitengardine, Side curtain, Rideau lateral | | 15.970.010 |
| 4 | 1 | Bovengordijn, Obengardine, Top curtain, Rideau supérieur | | 15.970.020 |
| 3 | 1 | Bovenkussen samenstelling, Obenkissenzusammenstellung Head cushion assembly, Assemblage coussin supérieur | | 15.970.500 |
| 2 | 2 | Zijframe samenstelling, Seitenrahmenzusammenstellung Side frame assembly, Assemblage élément lateral | | 15.970.100 |
| 1 | 1 | Dak samenstelling, Dachzusammenstellung Roof assembly, Assemblage toiture | | 15.970.200 |