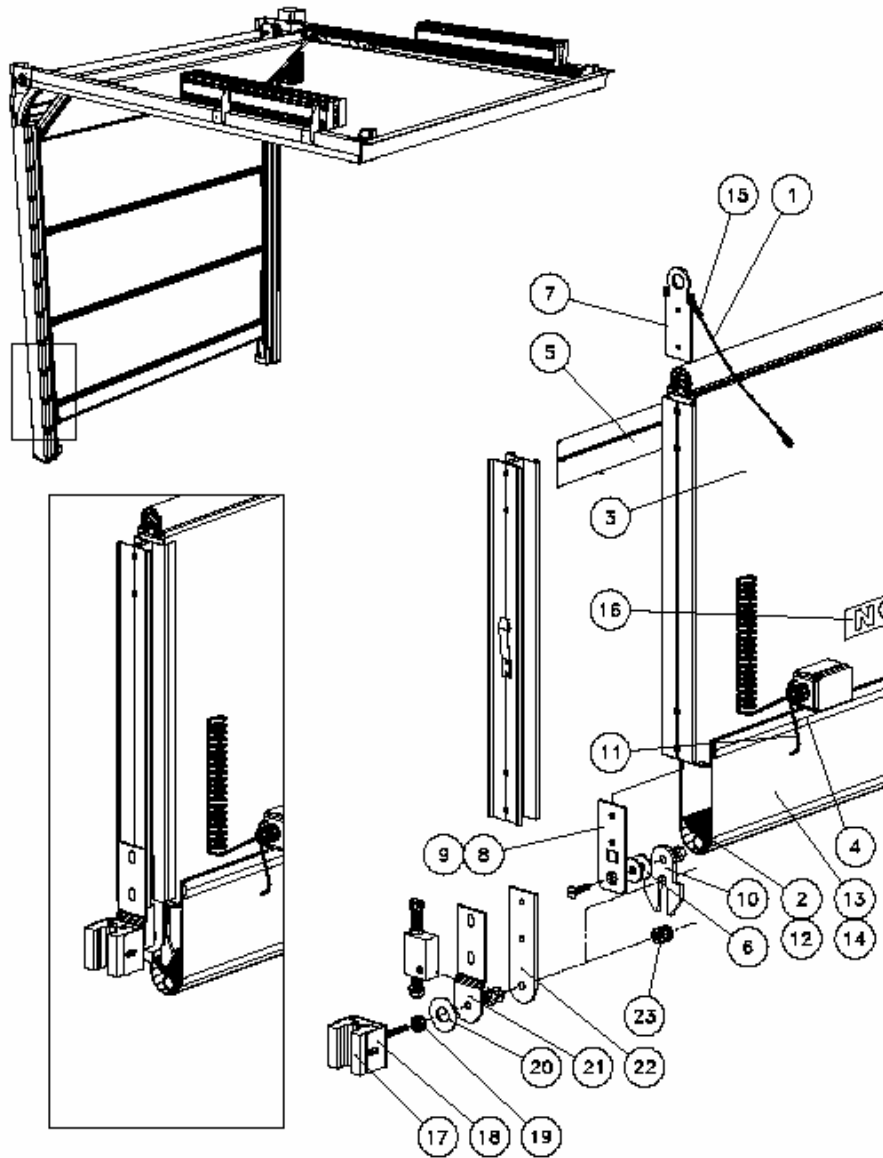


steril[®] stokvis

Rapid Roll 750

Spare Parts List



750 RapidTech

Art. No. 97-7075-00

Gäller från/Valid from//Fabrication a partir du **010815**

RESERVDELSKATALOG

Vid beställning av reservdelar till RapidTech ange alltid tillverkningsnummer, dagermått, färg på dekorlist och vävplats.

Uppge även höger eller vänstermonterad drivenhet.

SPARE PARTS

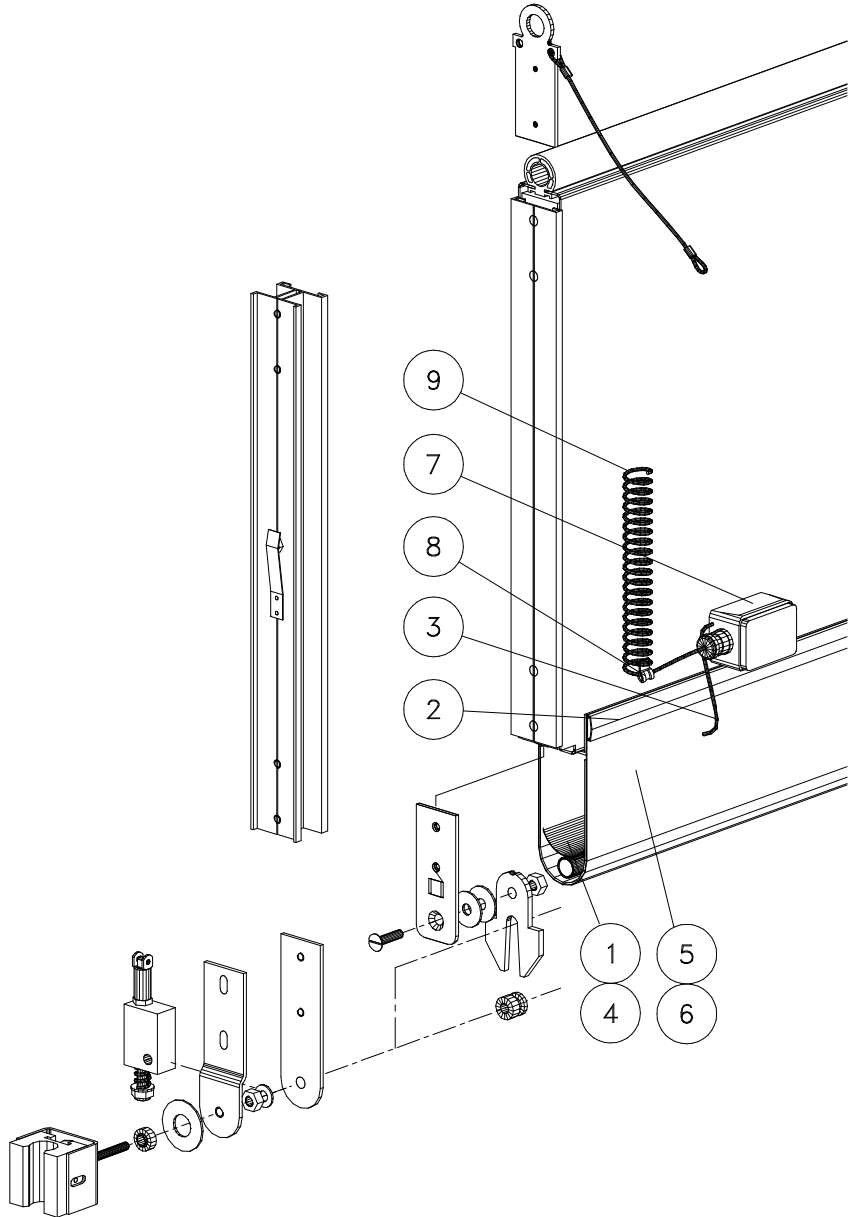
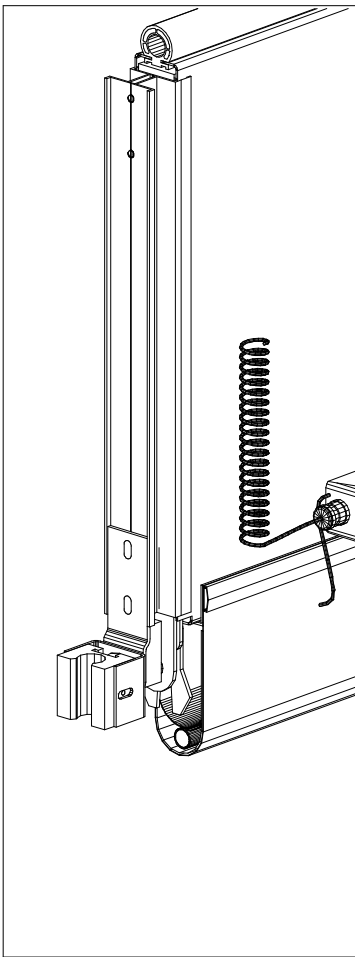
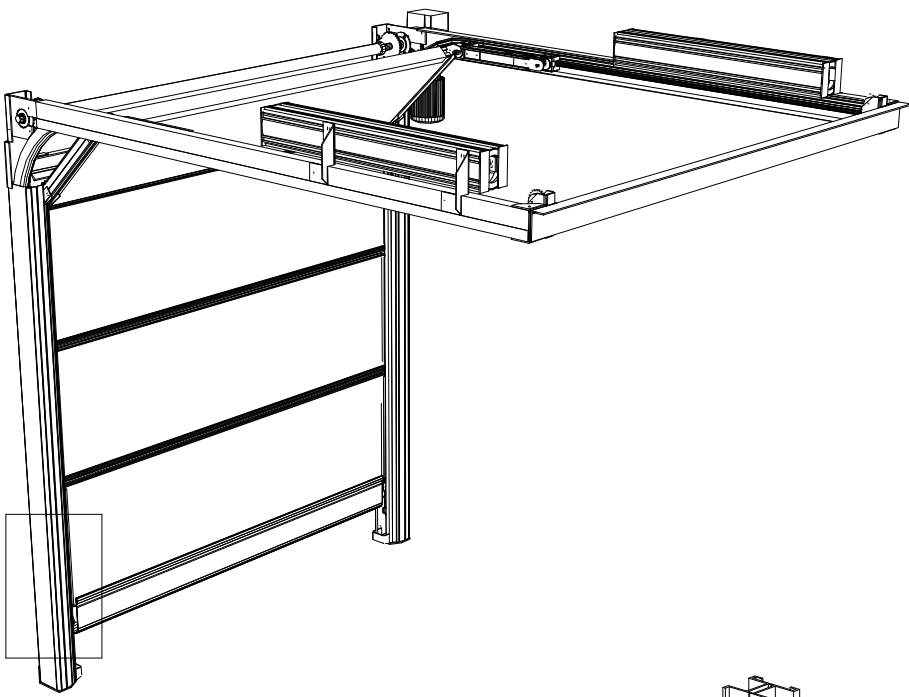
When ordering spare parts for RapidTech please state serial number, daylight measures, colour at the cover strip and the safety edge plastic.

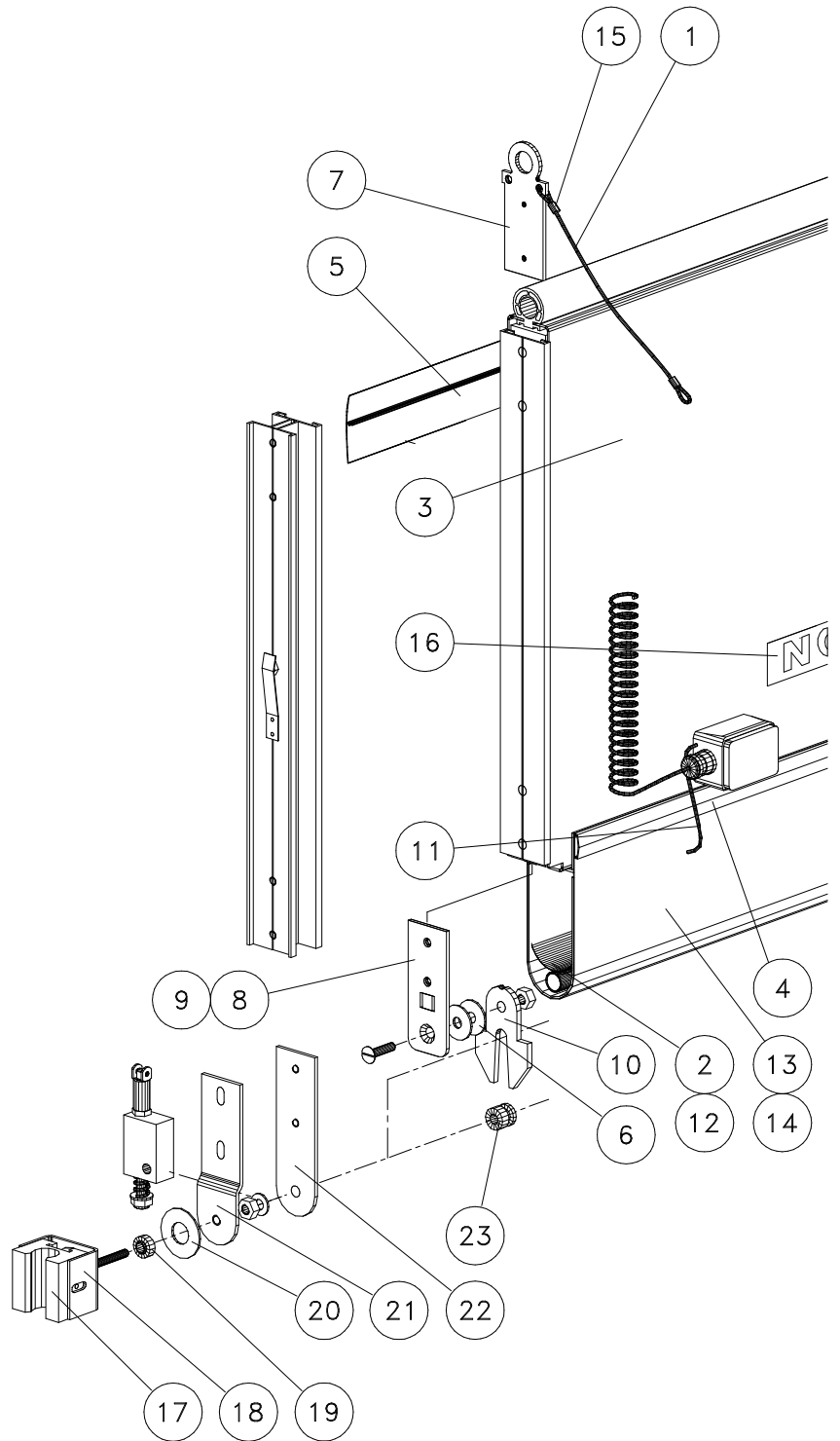
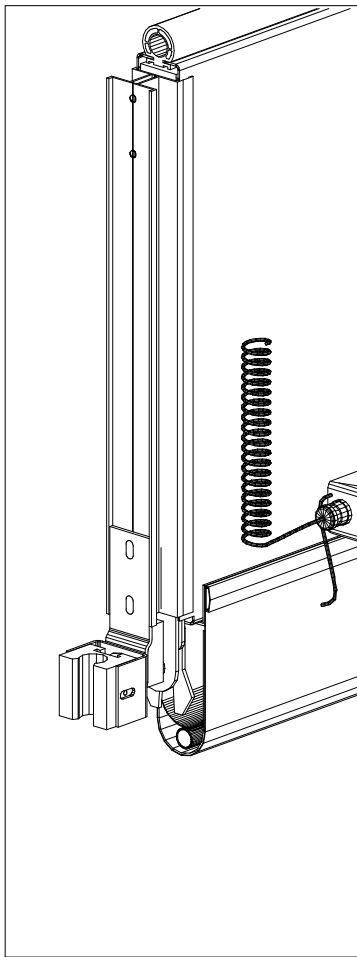
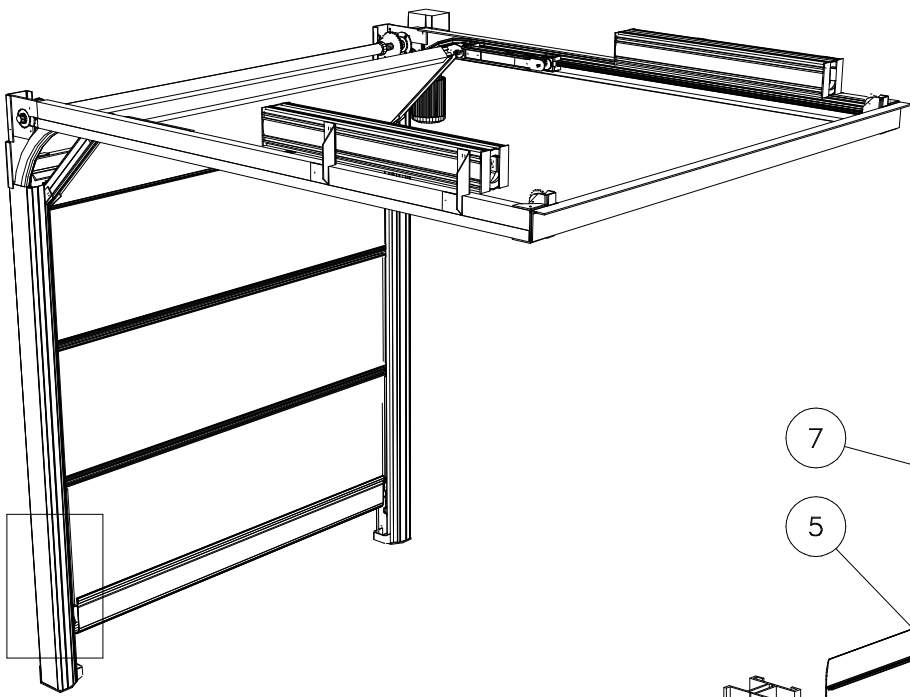
Please also state left or right hand mounted drive unit.

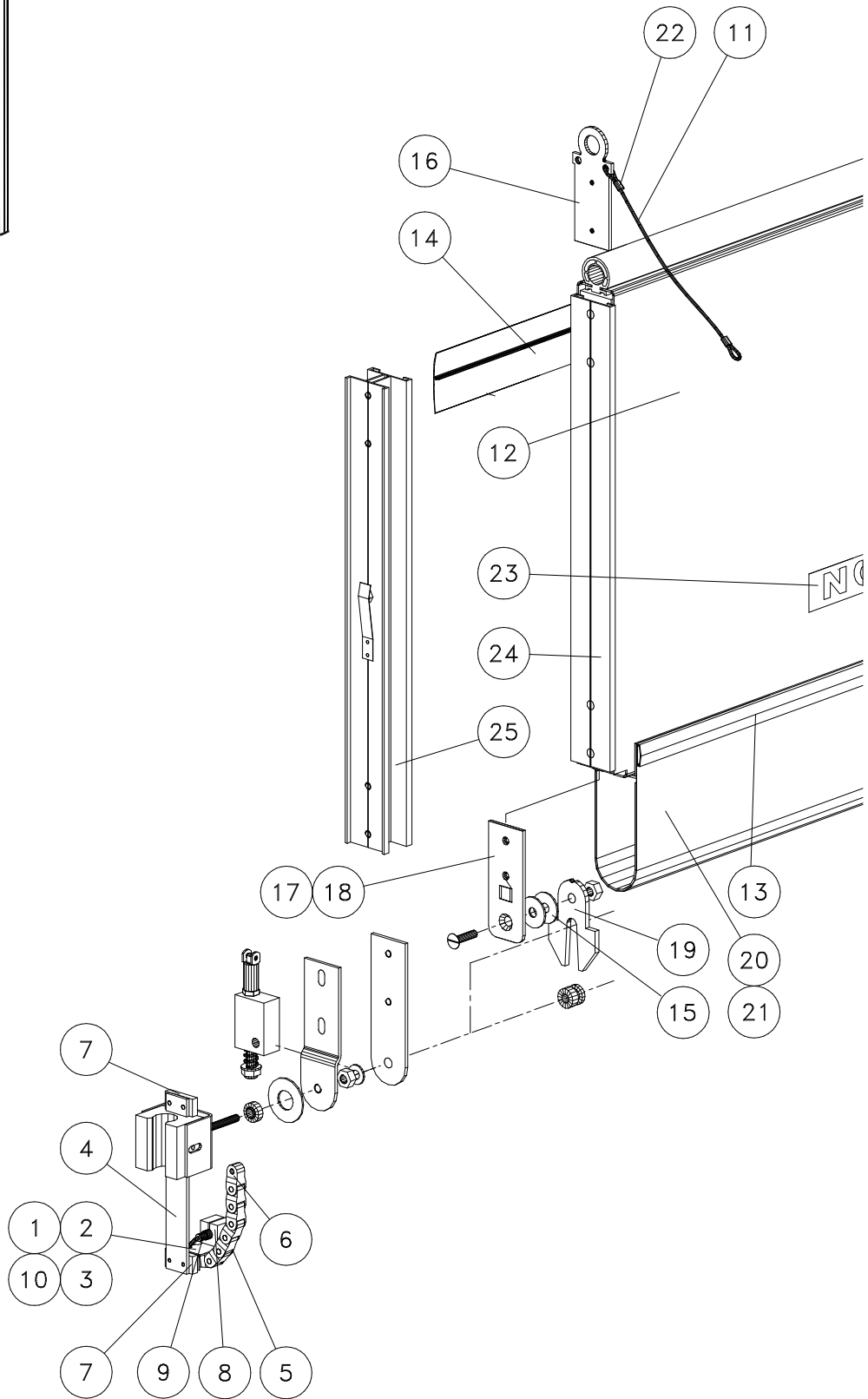
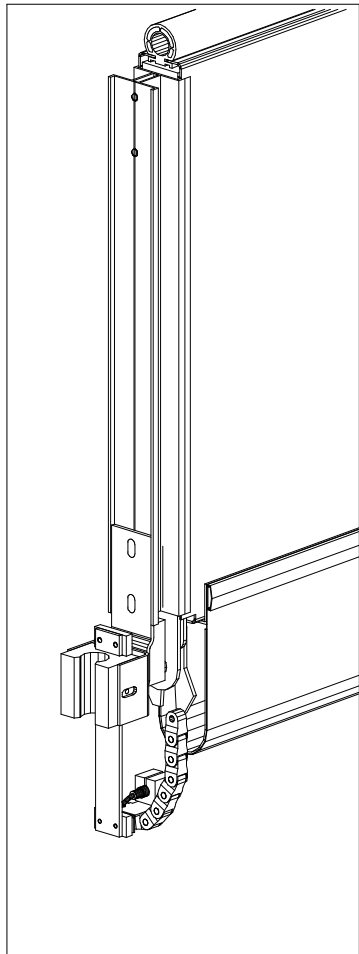
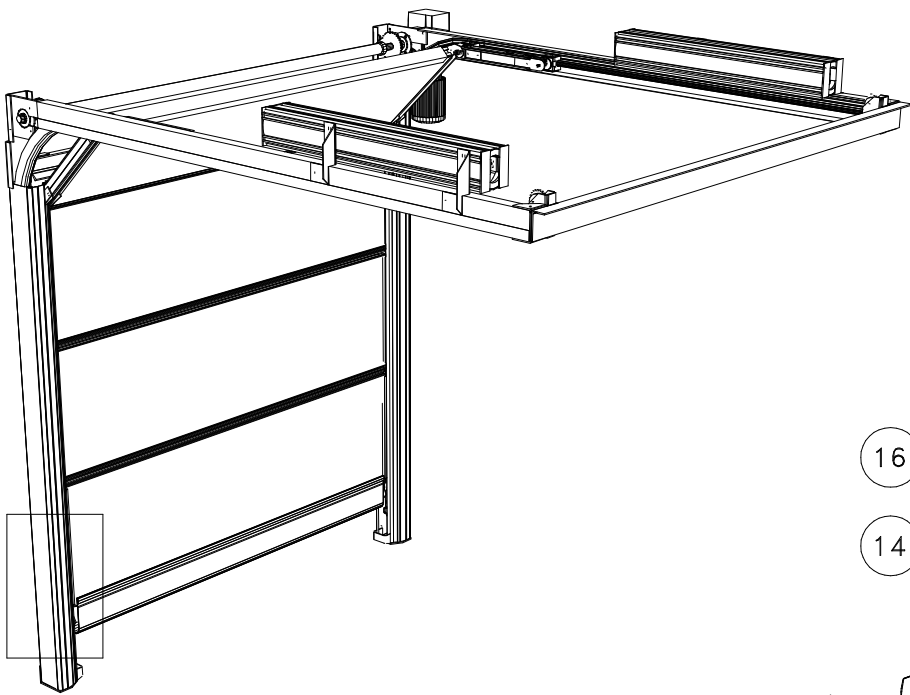
Innehållsförteckning/Index:

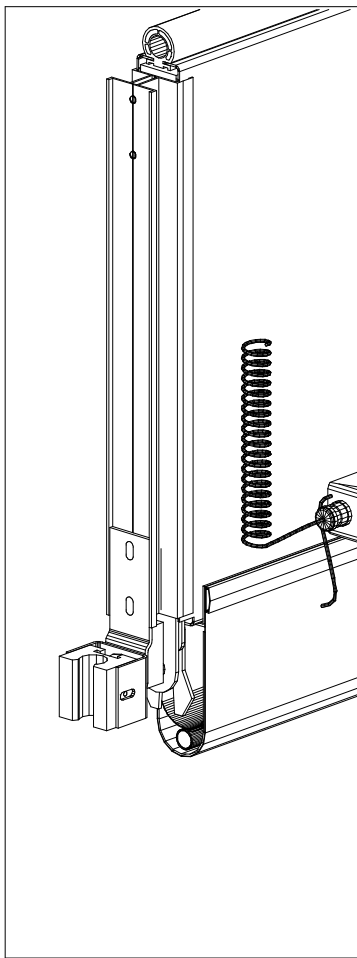
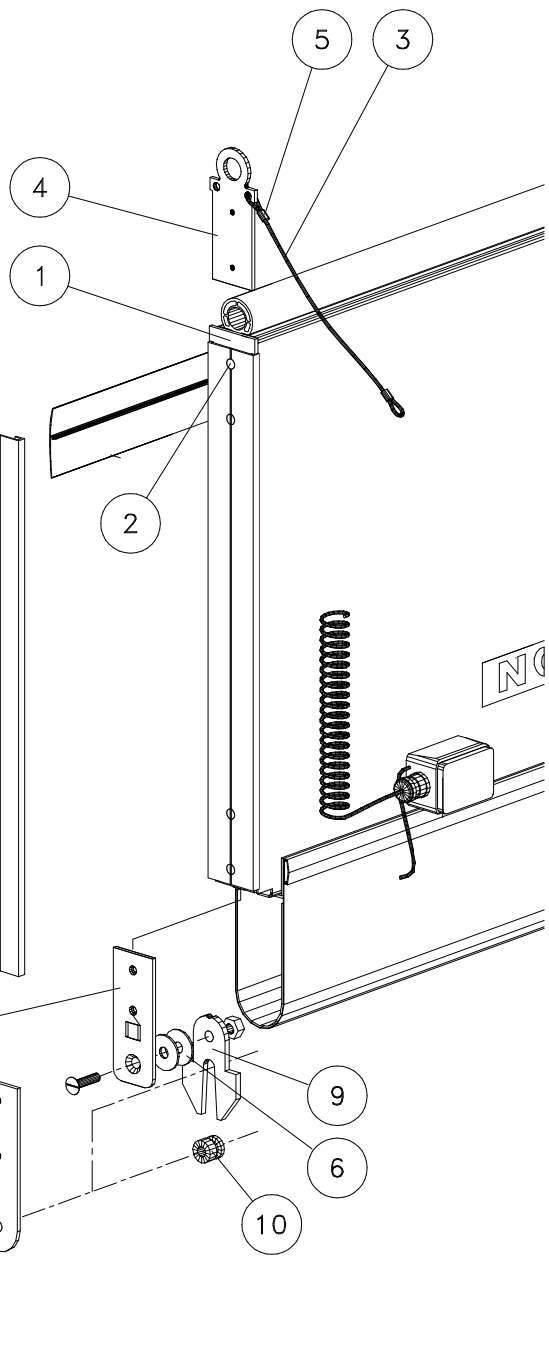
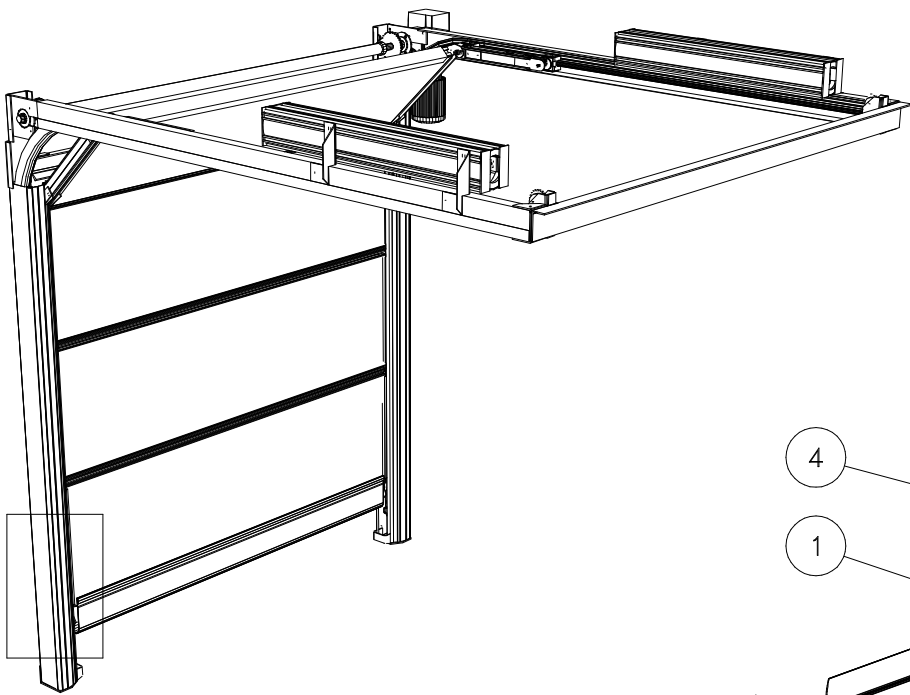
Sidan/Page.

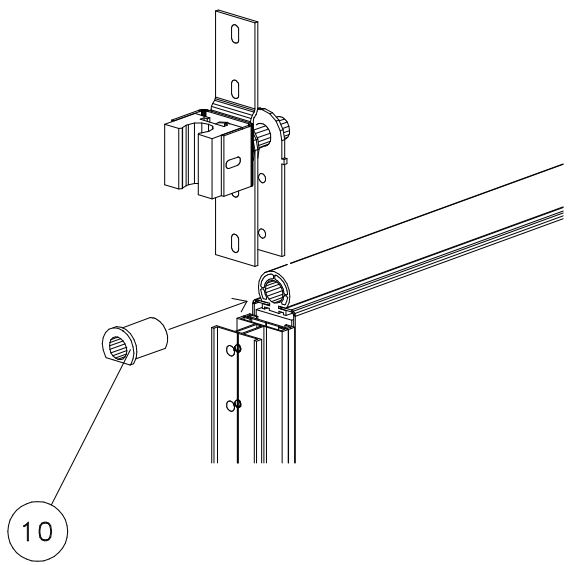
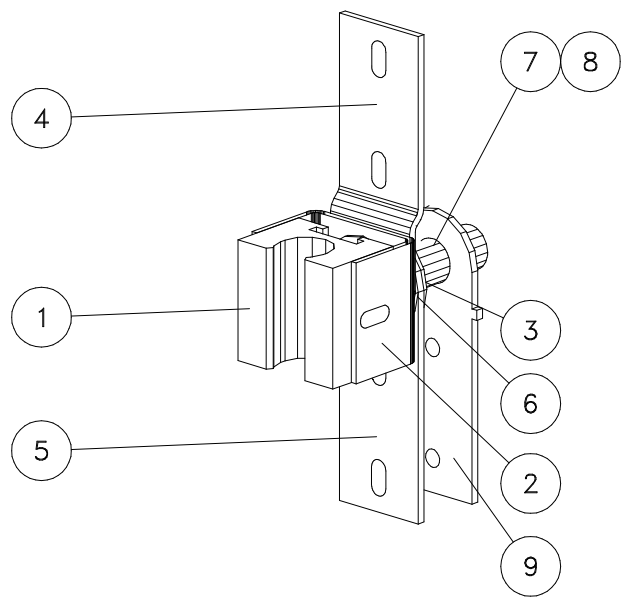
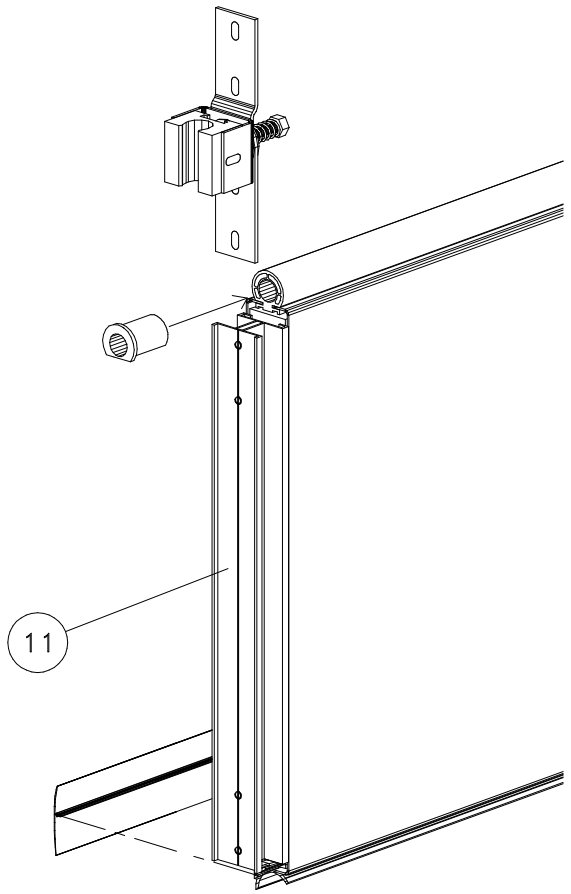
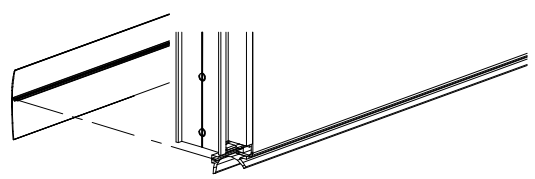
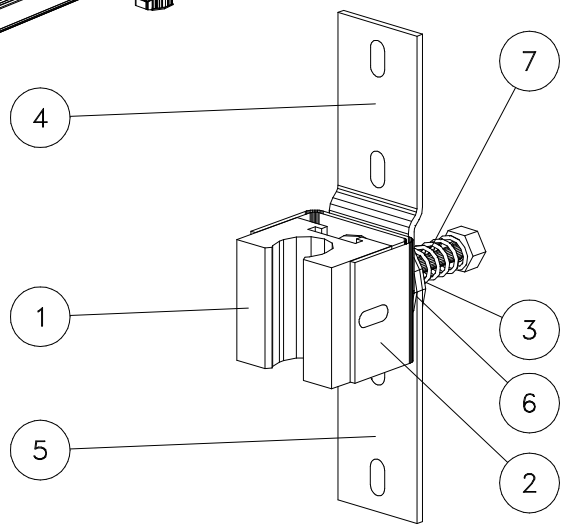
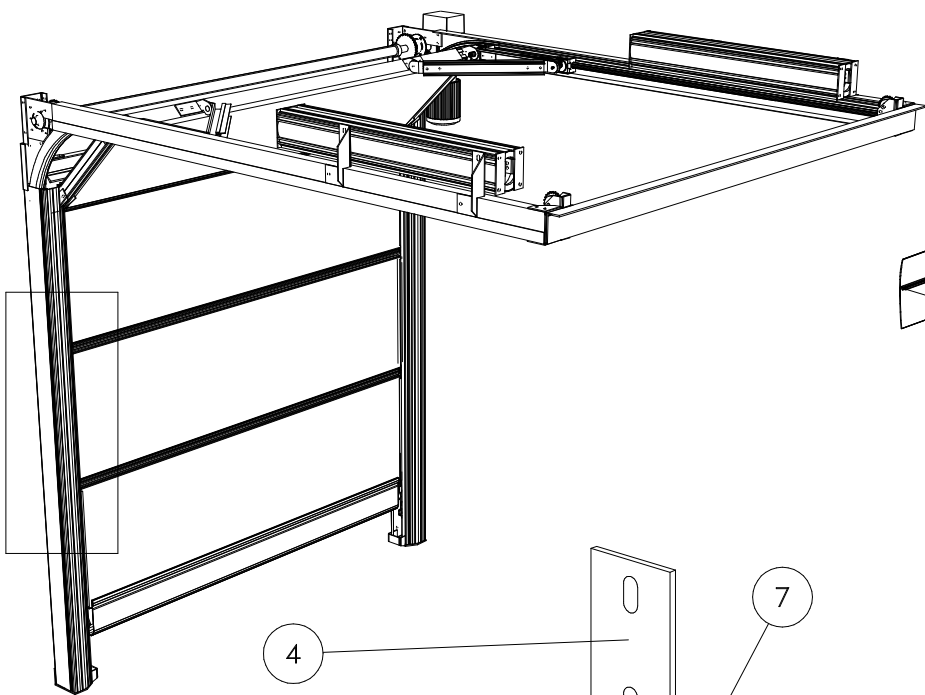
2-5	Nedre panel, pneum. klämskydd./Bottom panel, pneum. Safety edge.
6-7	Nedre panel, STS Klämskydd/Bottom panel, Touch-less safety edge.
8-9	Nedre panel, spärr lucka&Knäled/Bottom panel, locking devices.
10-11	Styrelement, reparationshylsa/Guide assembly, repair case door blade.
12-13	Paneler, fönster och täcklister/Panels, windows and cover strips.
14-15	Övre panel, styrelement&ledbar arm/Top panel and guide assembly.
16-17	Drivstång, momentarm/Drive shaft, torque bracket.
18-19	Driv&Balans kedjor, transmission/Drive&Balance chains, transmission.
20-23	Utbalanseringssystem/Counter balancing system.
24-27	Utbalanseringssystem <25 m ² /Counter balance system <25 m ² .
28-29	Utbalanseringssystem >25 m ² /Counter balance system >25 m ² .
30-31	Vertikala karmar/Verticle frames.
32-33	Horisontala karmar, karmdörrar/Horizontal frames, cover profiles.
34-35	Karmprofiler, gejdars/Frame profiles, guide rails.











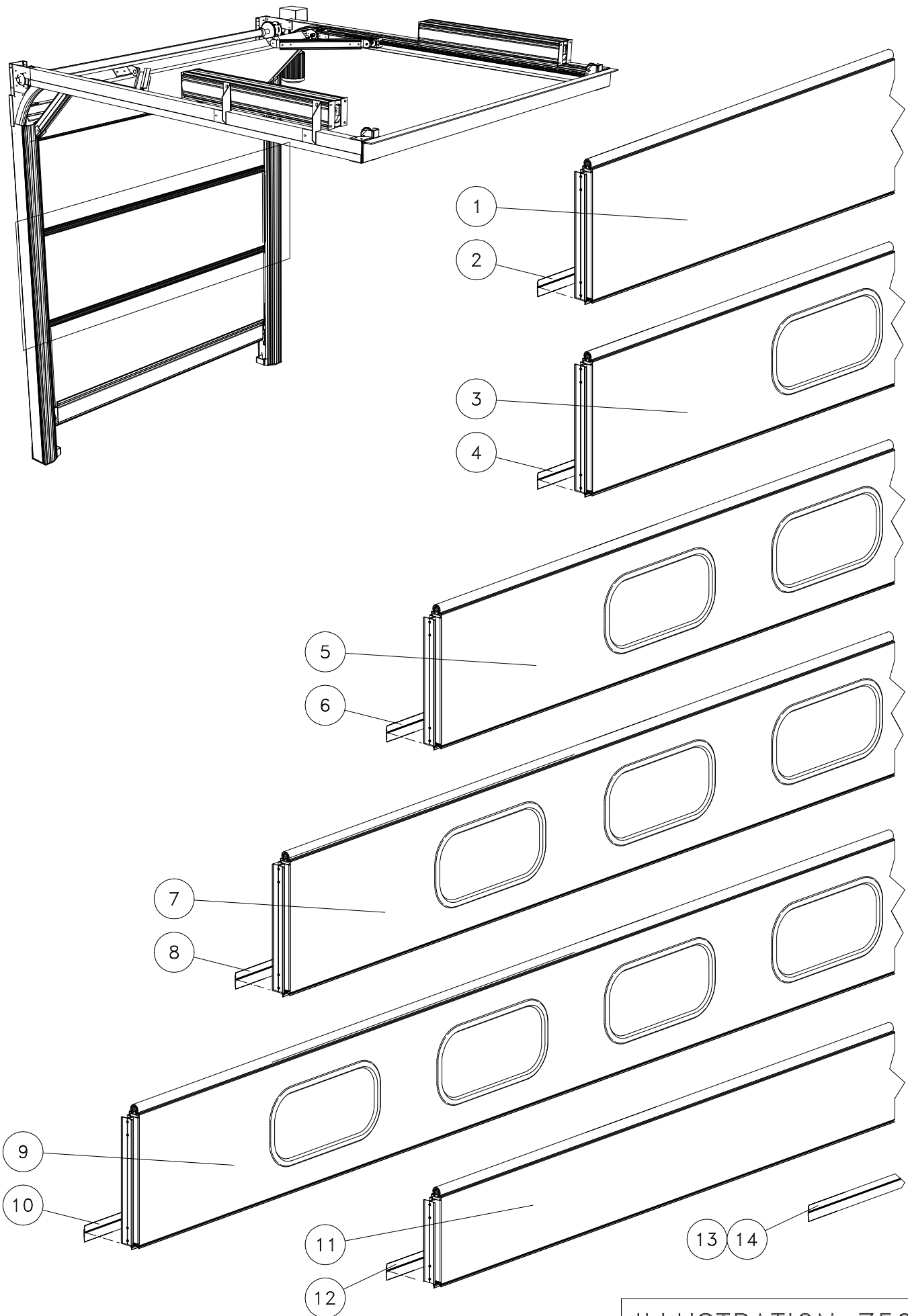
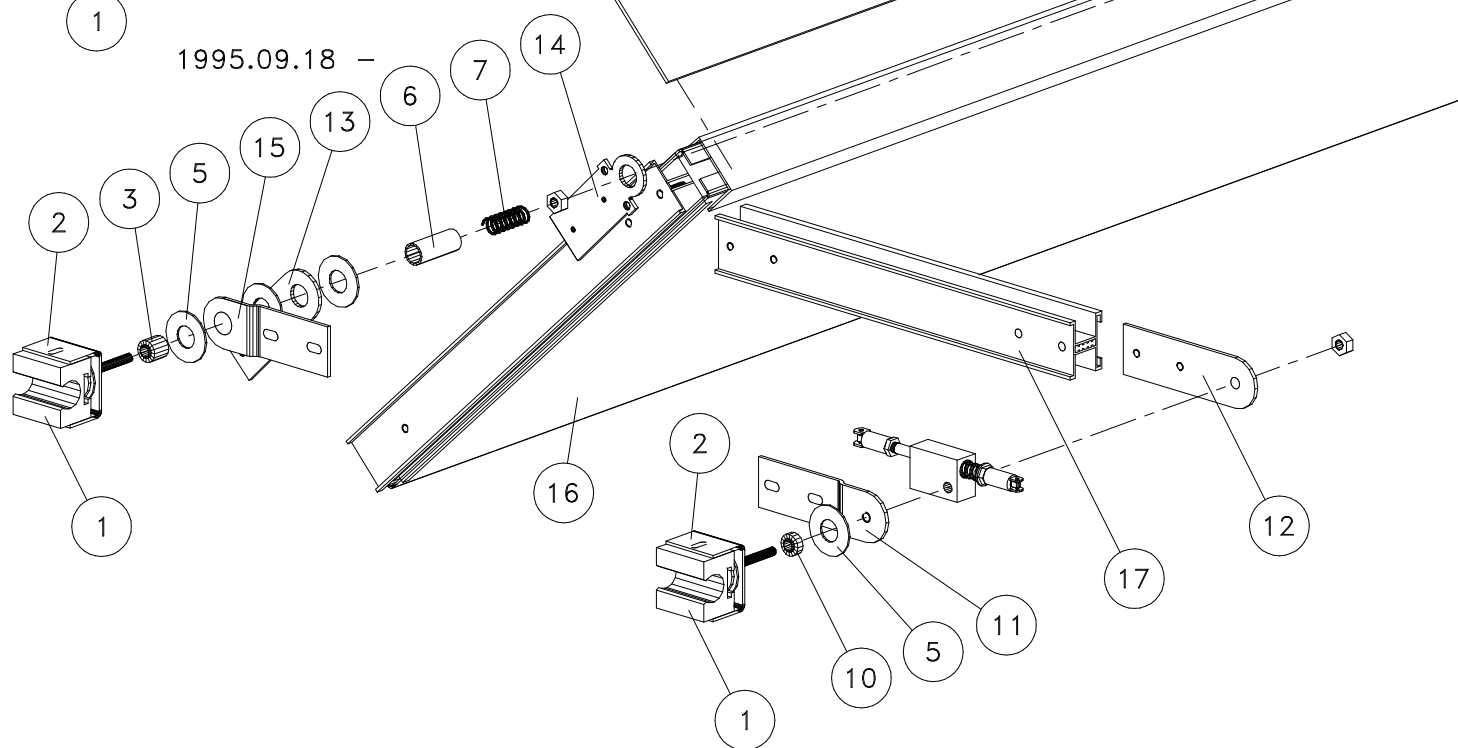
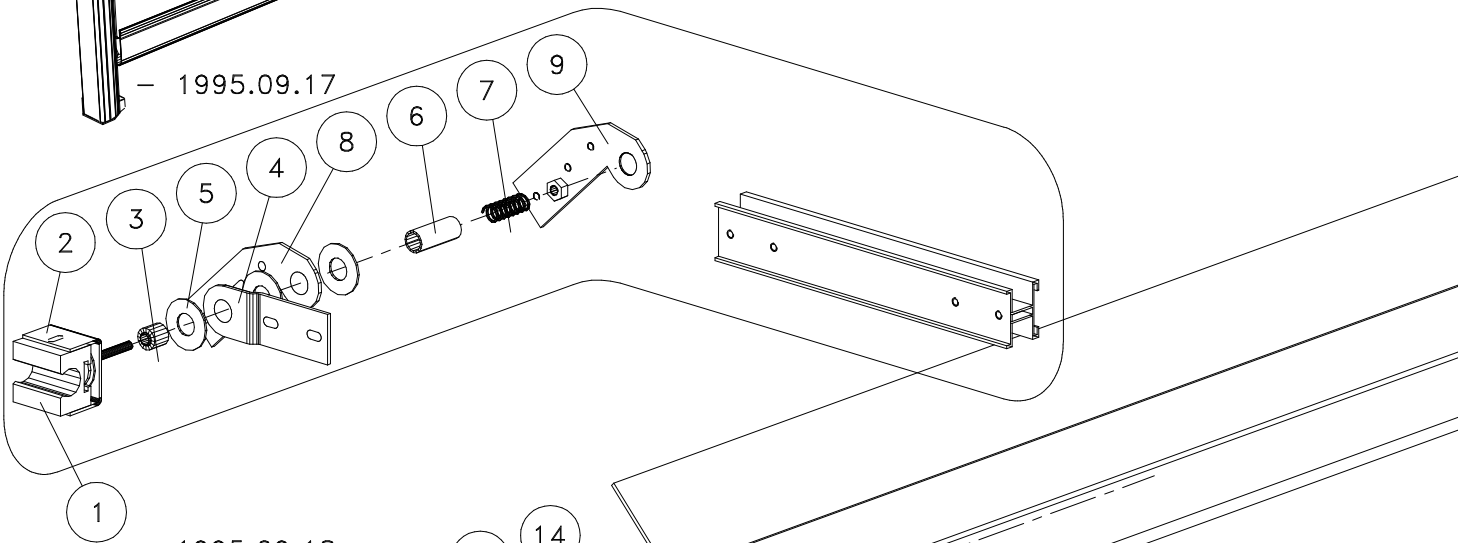
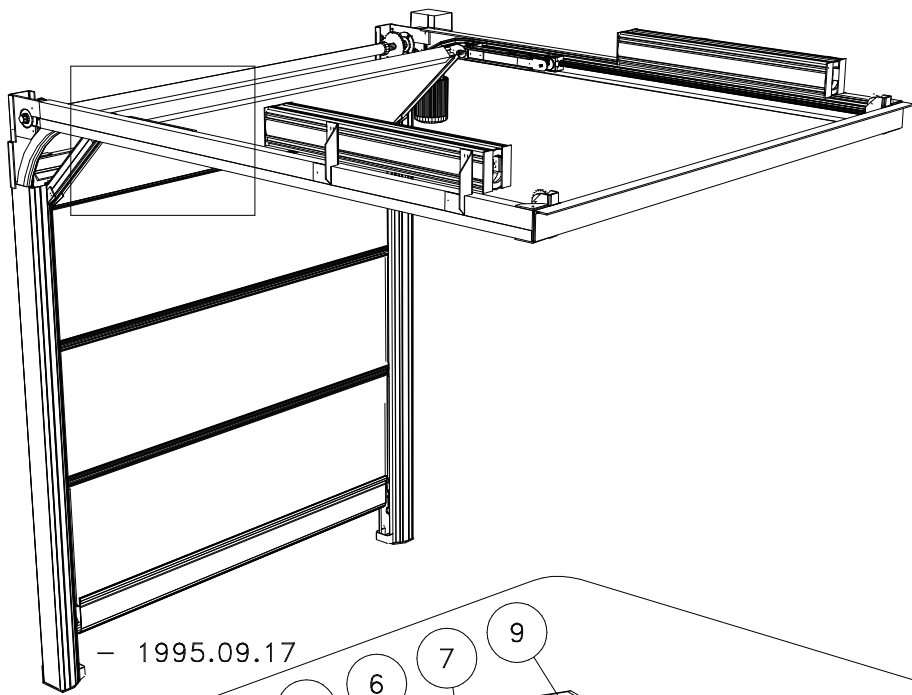


ILLUSTRATION 750-6	SIDE 13
PANELS, WINDOWS AND COVER STRIPS	
State daylight dimensions and color.	

Pos.	Qua.	Artical No	Description	
		75-3020-PC	Panel, 600 mm, complete incl cover strip State door width and color	
1	1		Panel laminate	Pcs
2	1		Cover strip 97, yellow	M
2	1		Cover strip 97, red	M
		75-3021-PC	Panel, 600 mm, incl 1 window incl cover strip State door width and color	
3	1		Panel laminate	Pcs
4	1		Cover strip 97, yellow	M
4	1		Cover strip 97, red	M
		75-3022-PC	Panel, 600 mm, incl 2 windows incl cover strip State door width and color	
5	1		Panel laminate	Pcs
6	1		Cover strip 97, yellow	M
6	1		Cover strip 97, red	M
		75-3023-PC	Panel, 600 mm, incl 3 windows incl cover strip State door width and color	
7	1		Panel laminate	Pcs
8	1		Cover strip 97, yellow	M
8	1		Cover strip 97, red	M
		75-3024-PC	Panel, 600 mm, incl 4 windows incl cover strip State door width and color	
9	1		Panel laminate	Pcs
10	1		Cover strip 97, yellow	M
10	1		Cover strip 97, red	M
		75-3030-PC	Panel, 400 mm, complete incl cover strip State door width and color	
11	1		Panel laminate	Pcs
12	1		Cover strip 97, yellow	M
12	1		Cover strip 97, red	M
		75-3206-PC	Cover profile -97 pre-cut	
13			Cover strip 97, yellow	M
13			Cover strip 97, red	M
		75-3205-PC	Cover profile, old design, pre-cut	
14			Cover strip, yellow	M
14			Cover strip, red	M

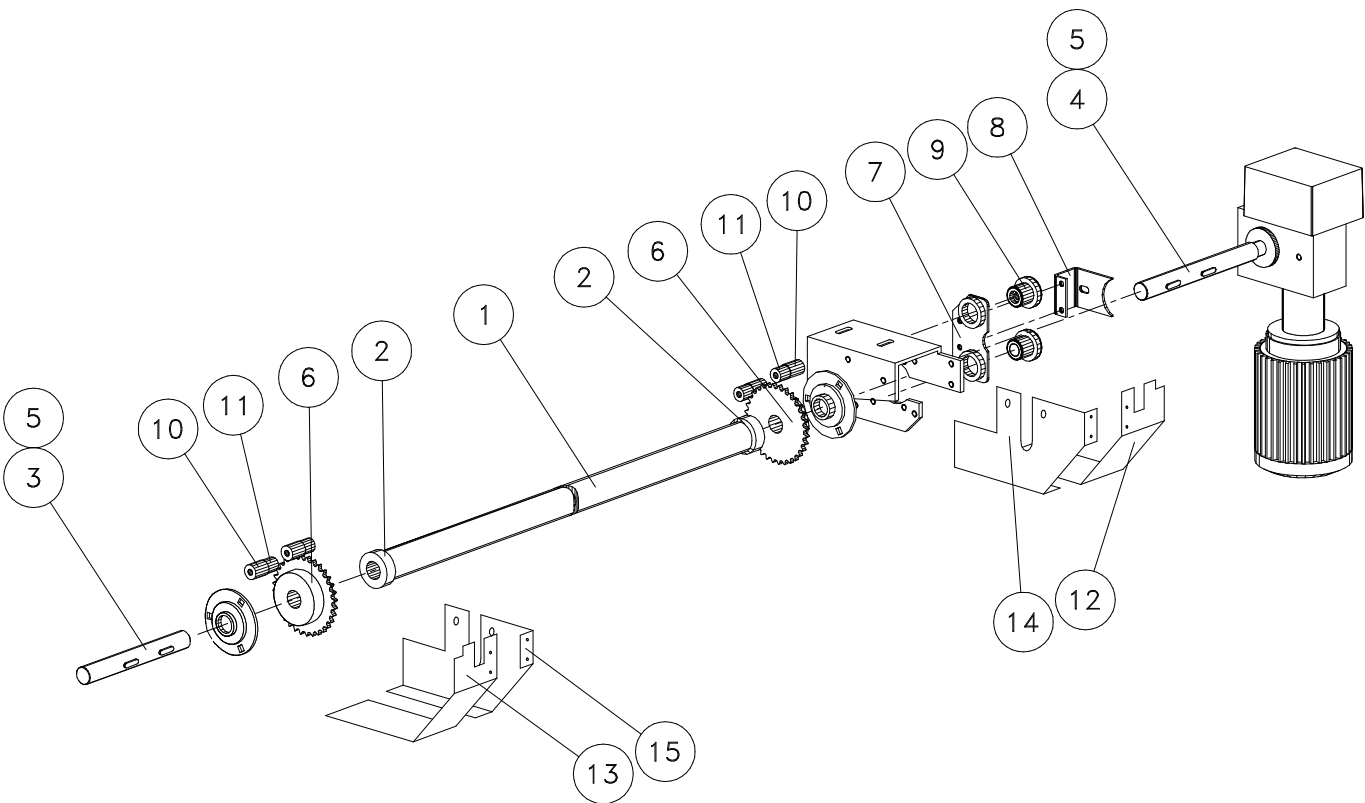
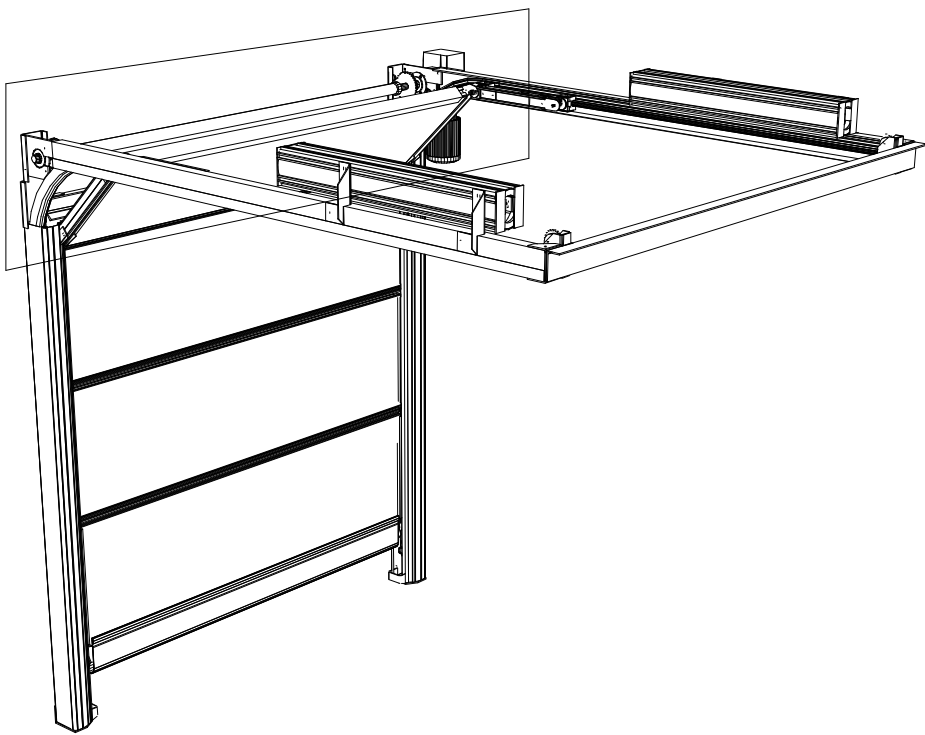


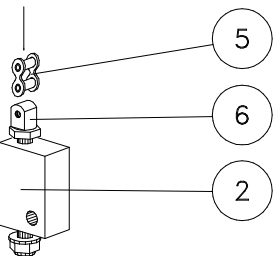
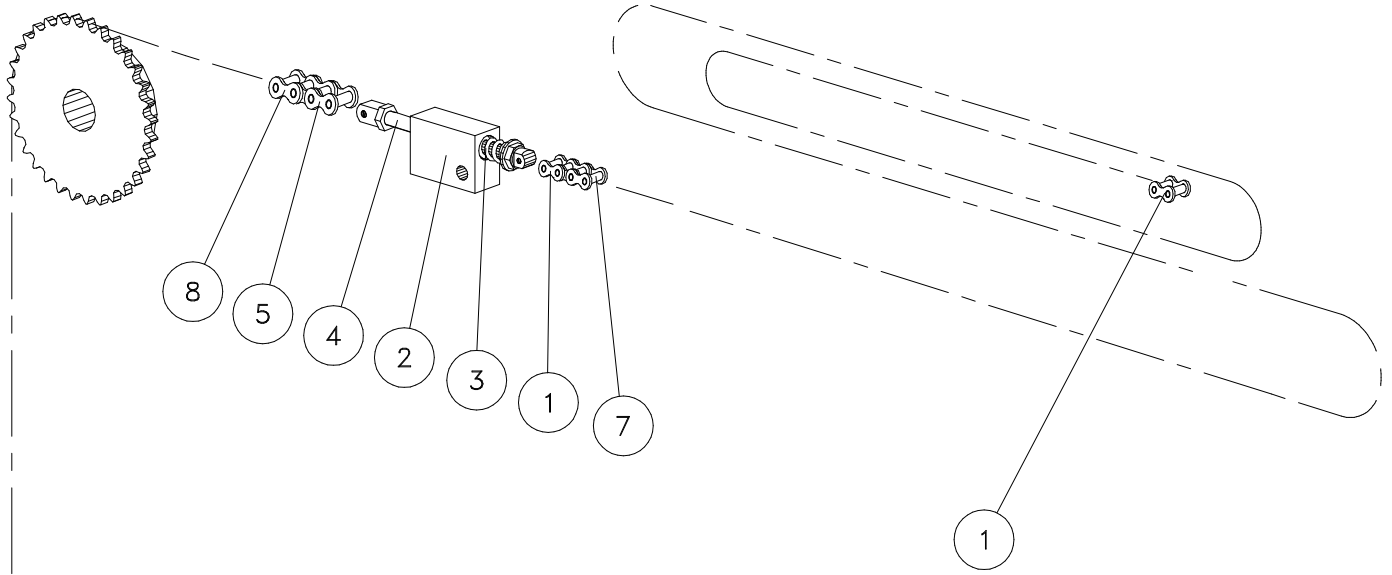
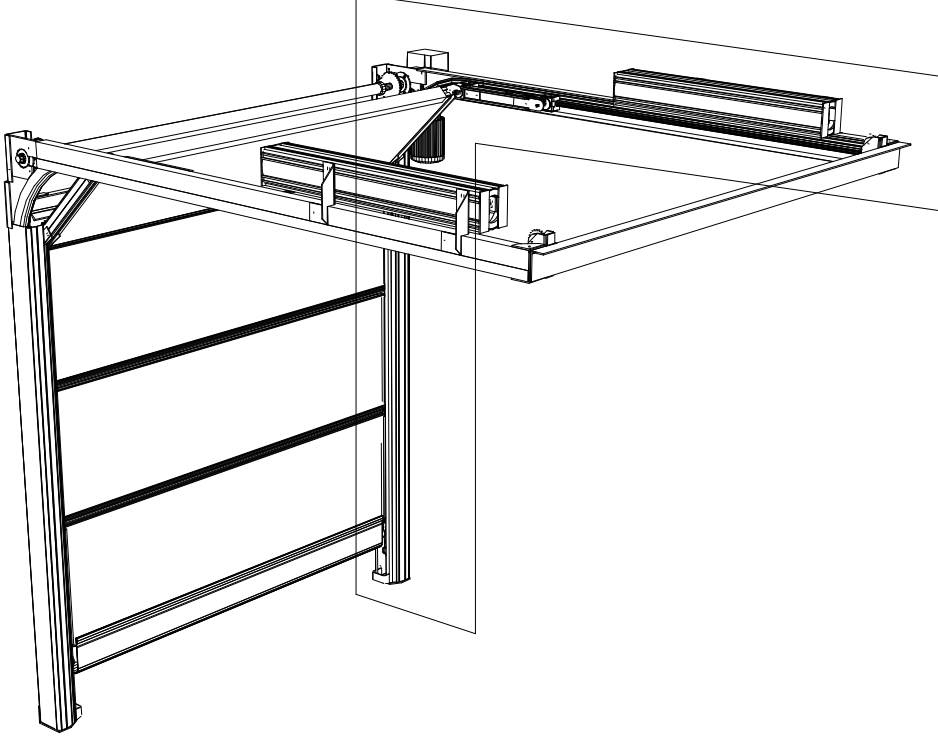
RAPID TECH 750

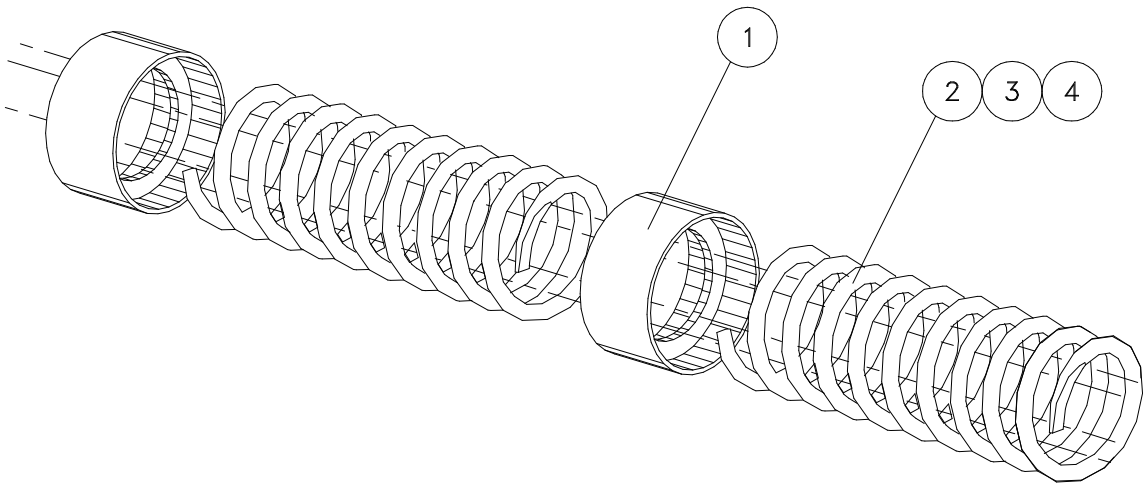
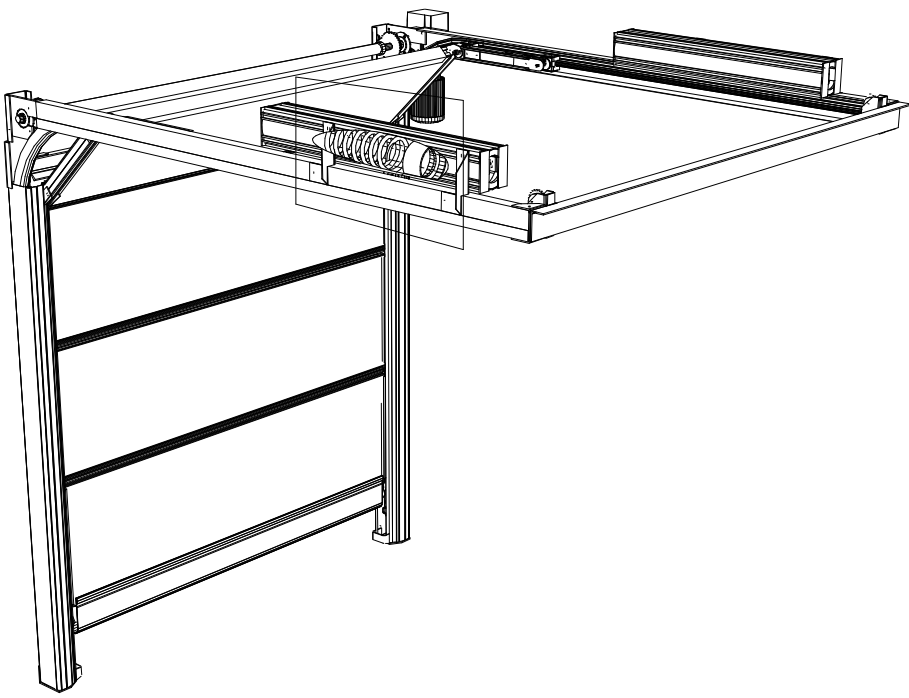
SPARE PART LIST

ILLUSTRATION 750-7	SIDE 15
COMP. GUIDE ASSEMBLY IN TOP PANEL, CHAIN TENSIONER, TOP PANEL.	
State daylight dimensions/door number and colour.	

Pos.	Qua.	Artical No	Description	
		75-4304-XX	Guide top panel, complete. Valid to delivery week 9537	
1	1	75-4301-01	Guide block standard	Pcs
2	1		Bracket for guide block	Pcs
3	1		Distance tube for guide double	Pcs
4	1		Outer hinge plate	Pcs
5	4		Sliding lining t=2 mm	Pcs
6	1		Spring bush l=40 mm	Pcs
7	1		Compression spring sf-tf 3x11x60	Pcs
8	1		Inner hinge, drive chain bar	Pcs
9	1		Inner hinge, drive chain bar, m8	Pcs
		75-4305-XX	Guide top chaintensioner, complete	
1	1	75-4301-01	Guide block standard	Pcs
2	1		Bracket for guide block	Pcs
10	1		Distance tube for guide single, 7,7 mm.	Pcs
5	2		Sliding lining t=2 mm	Pcs
11	1		Outer hinge plate chain support	Pcs
12	1		Inner hinge plate chain support	Pcs
		75-4306-XX	Guide top panel, complete. Valid from delivery week 9538	
1	1	75-4301-01	Guide block standard	Pcs
2	1		Bracket for guide block	Pcs
3	1		Distance tube for guide double	Pcs
13	1		Inner hinge plate	Pcs
5	4		Sliding lining t=2 mm	Pcs
6	1		Spring bush l=40 mm	Pcs
7	1		Compression spring sf-tf 3x11x60	Pcs
14	1		Inner hinge plate m8	Pcs
15	1		Outer hinge, drive chain bar	Pcs
16	1	75-3040-PC	Top panel with seal.	
			State daylight dimensions/door number and colour.	Pcs
17	1	75-3210-53	Guide flexible arm. L= 450 mm.	Pcs







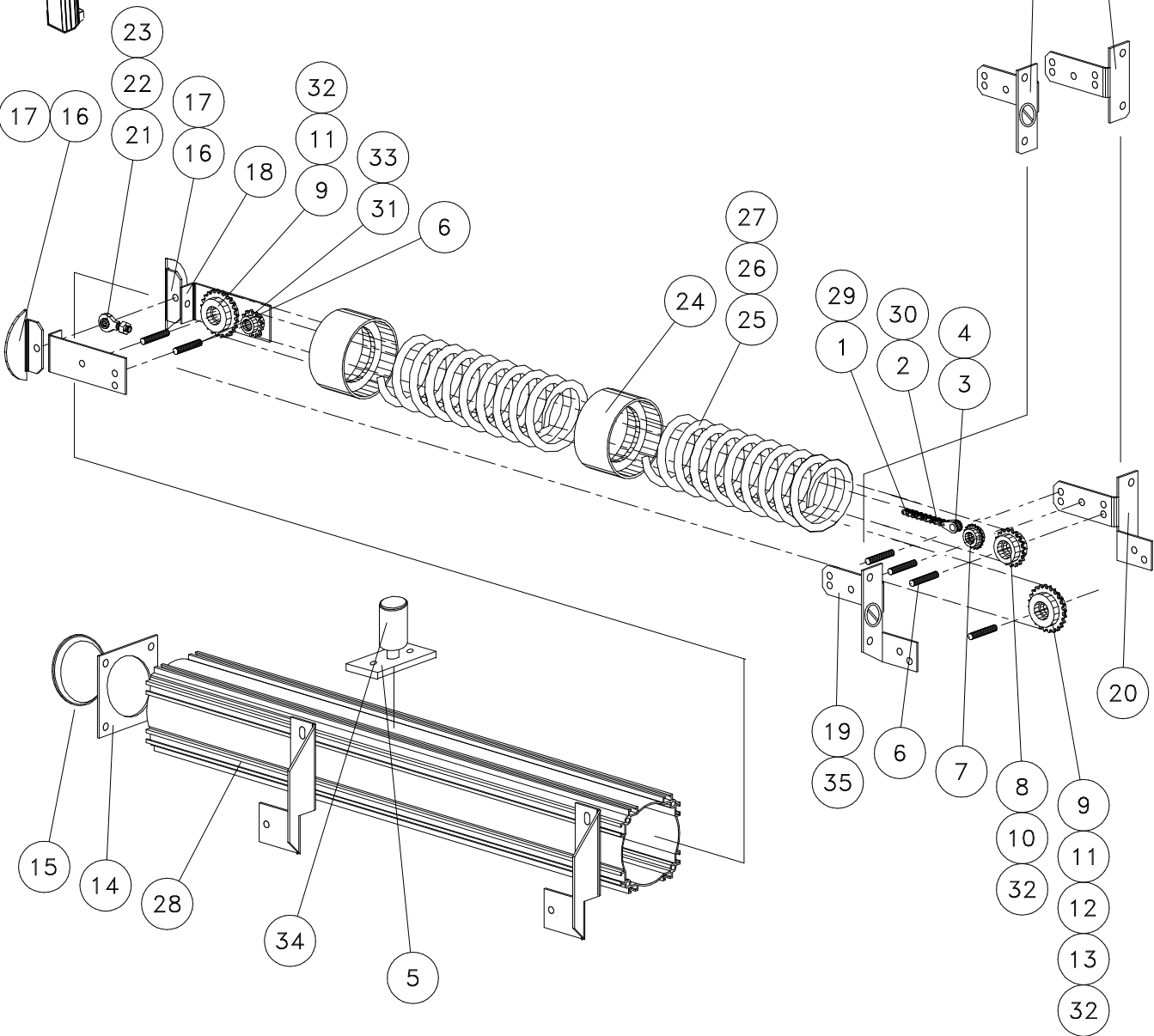
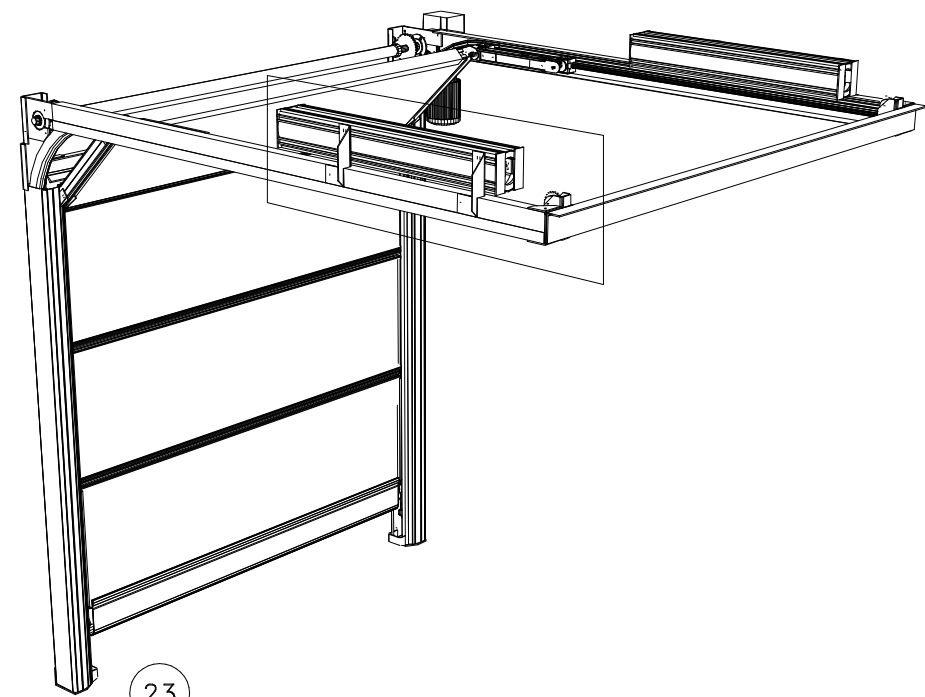
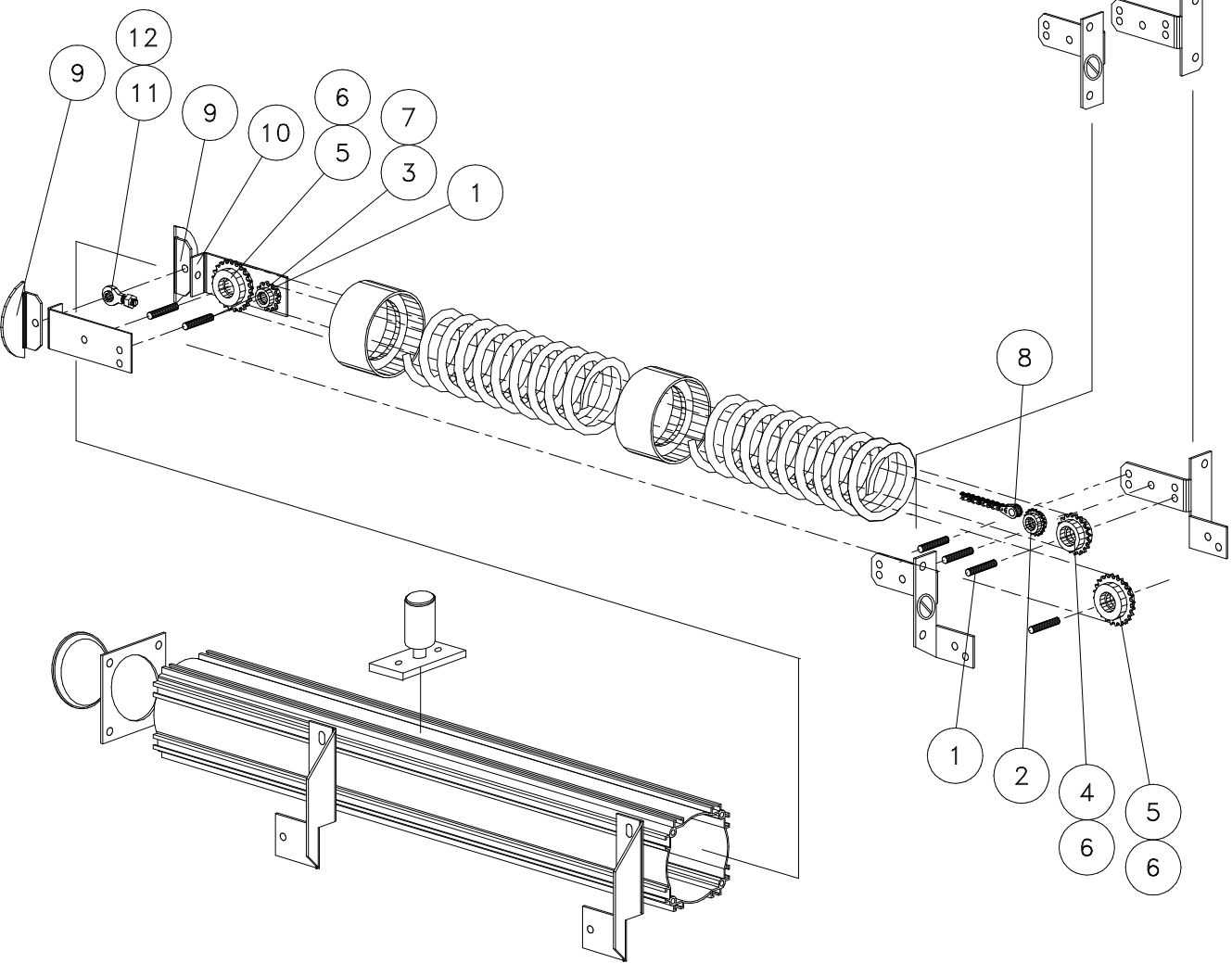
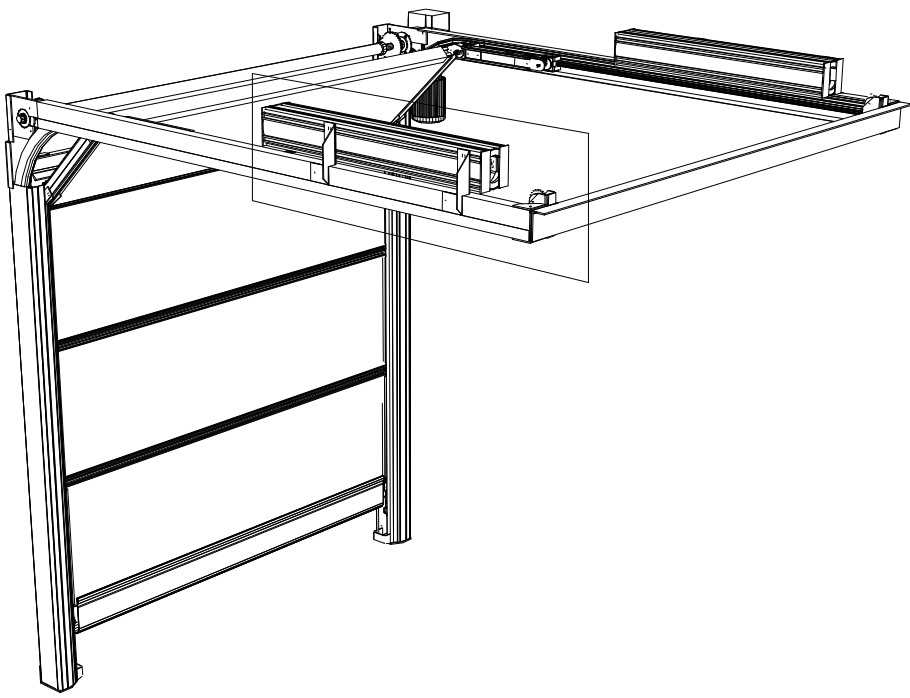


ILLUSTRATION 750-11	SIDE 23
COUNTER BALANCING SYSTEM	
State daylight dimensions and manufacturing number	

Pos.	Qua.	Artical No	Description	
		75-2000-PC	Spring tube complete. Valid for deliveries from 97-03-01	
1	1		Balancingchain, 455 regina	M
2	1	75-1701-94	Articulated coupling 455	Pcs
3	1		End link, balance chain	Pcs
4	1		End link balancing chain 632	Pcs
5	1		Aluminium holder for grease tube	Pcs
6	4		Axle for chain pulley l=49,5 mm	Pcs
7	1		Chain pulley d=40 mm	Pcs
8	1		Chain pulley d=70 mm	Pcs
9	2		Chain pulley d=84 mm	Pcs
10	1		Chain pulley d= 70 mm,chain 1/2"	Pcs
11	2		Chain pulley d= 84 mm,chain 1/2"	Pcs
12	1		Chain pulley d=118 mm	Pcs
13	1		Chain pulley d= 118 mm,chain 1/2"	Pcs
14	1		Rear lid	Pcs
15	1		Rear plastic lid	Pcs
16	2		Bracket for chain pulley clamp	Pcs
17	1		Bracket for chain pulley clamp	Pcs
18	1		chain pulley clamp	Pcs
19	1		Bracket chain pulley,right	Pcs
20	1		Bracket chain pulley,left	Pcs
21	1		Link coupling sa 10 e	Pcs
22	2		Distance tube t=3 mm	Pcs
23	1		Axial ball bearing 51100	Pcs
24	1	75-2450-94	Spring guide	Pcs
25	1		Balance spring type A	Pcs
26	1		Balance spring type B	Pcs
27	1		Balance spring type Ö	Pcs
28	1		Aluminium profile	M
29	1		Driving chain, r88h 1/2' regina	M
30	1	75-9211-94	Articulated coupling 462	Pcs
31	1		Chain pulley d=56 mm	Pcs
32	6		Bearing	Pcs
33	2		Bearing, 6000 2rs1	Pcs
34	1	97-6520-99	Grease tube	Pcs
35	1	97-6731-97	Prohibition sign 'no tools'	Pcs
		75-2001-PC	Spring tube complete. Valid for deliveries to 97-02-28	
			Details referring to 75-2000-PC, following additions:	
36	1		Bracket cable pulley, right, modified	Pcs
37	1		Bracket cable pulley, left, modified	Pcs
		75-117461-01	Shaping spare part.	



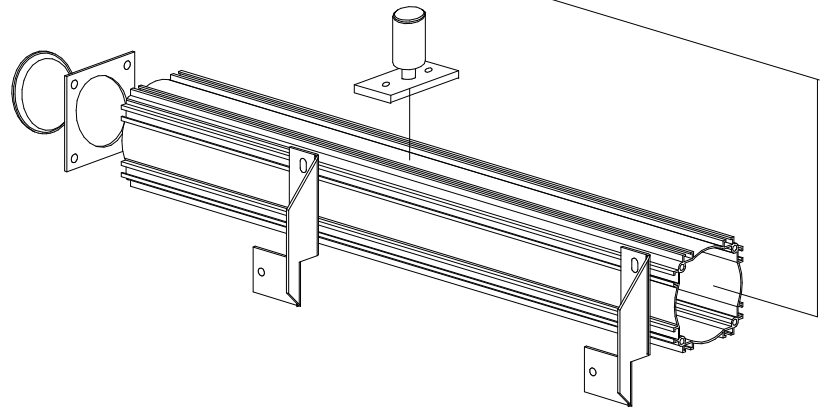
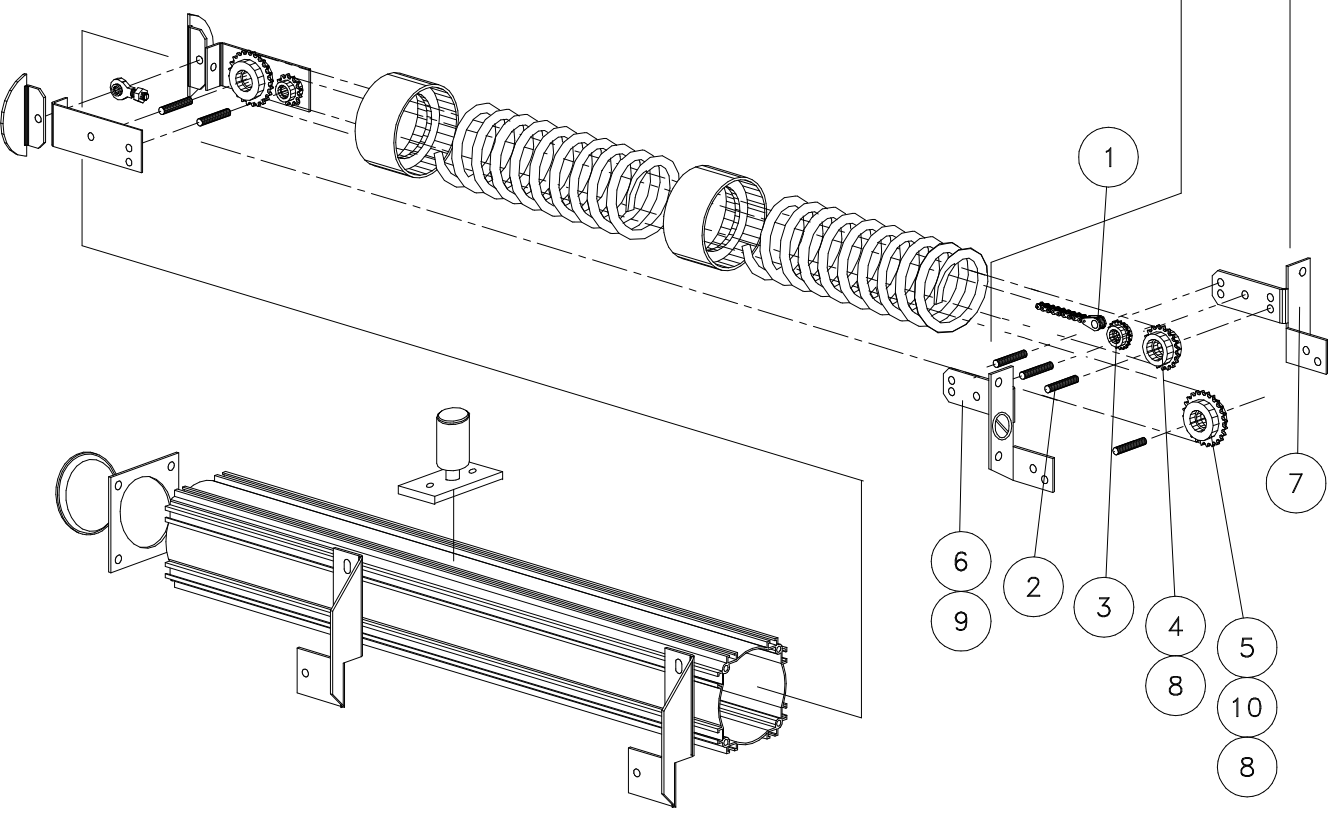
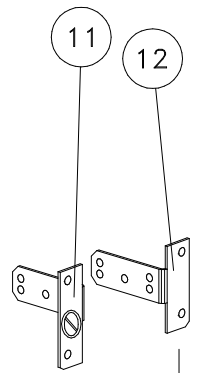
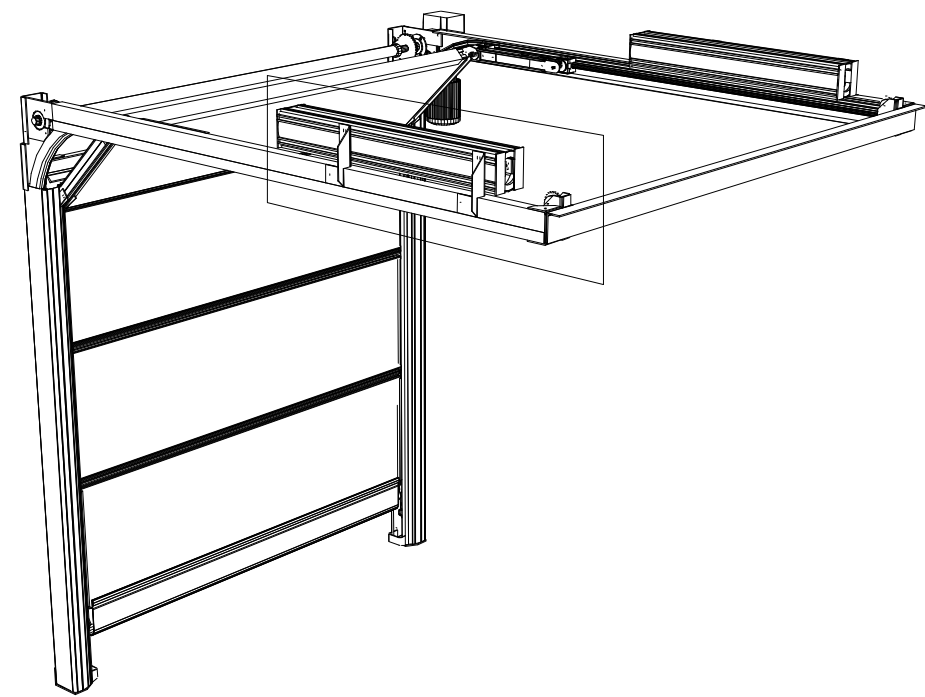


ILLUSTRATION 750-13	SIDE 27
COUNTER BALANCING SYSTEM. Doors < 25 m2.	

Pos.	Qua.	Artical No	Description	
		75-2410-XX	Chain pulleys unit front, standard lift, complete with brackets and shaft, chain size 455, Valid for doors delivered from 97-03-01	
1	1		End link, balance chain	Pcs
2	3		Axle for chain pulley l=49,5 mm	Pcs
3	1		Chain pulley d=40 mm	Pcs
4	1		Chain pulley d=70 mm	Pcs
5	1		Chain pulley d=84 mm	Pcs
6	1		Bracket chain pulley,right	Pcs
7	1		Bracket chain pulley,left	Pcs
8	4		Bearing	Pcs
9	1	97-6731-97	Prohibition sign 'no tools'	Pcs
		75-2411-XX	Chain pulleys unit front, low lift, complete with brackets and shaft, chain size 455, Valid for doors delivered from 97-03-01	
1	1		End link, balance chain	Pcs
2	3		Axle for chain pulley l=49,5 mm	Pcs
3	1		Chain pulley d=40 mm	Pcs
4	1		Chain pulley d=70 mm	Pcs
10	1		Chain pulley d=118 mm	Pcs
6	1		Bracket chain pulley,right	Pcs
7	1		Bracket chain pulley,left	Pcs
8	4		Bearing	Pcs
9	1	97-6731-97	Prohibition sign 'no tools'	Pcs
		75-2412-XX	Chain pulleys unit, front, standard and low lift, complete with brackets and shaft, chain size 455, Valid for doors delivered to 97-02-28	
1	1		End link, balance chain	Pcs
2	2		Axle for chain pulley l=49,5 mm	Pcs
3	1		Chain pulley d=40 mm	Pcs
4	1		Chain pulley d=70 mm	Pcs
11	1		Bracket chain pulley, right, modified	Pcs
12	1		Bracket chain pulley, left, modified	Pcs
8	4		Bearing	Pcs
9	1	97-6731-97	Prohibition sign 'no tools'	Pcs
		75-117461-01	Shaping of spare part	

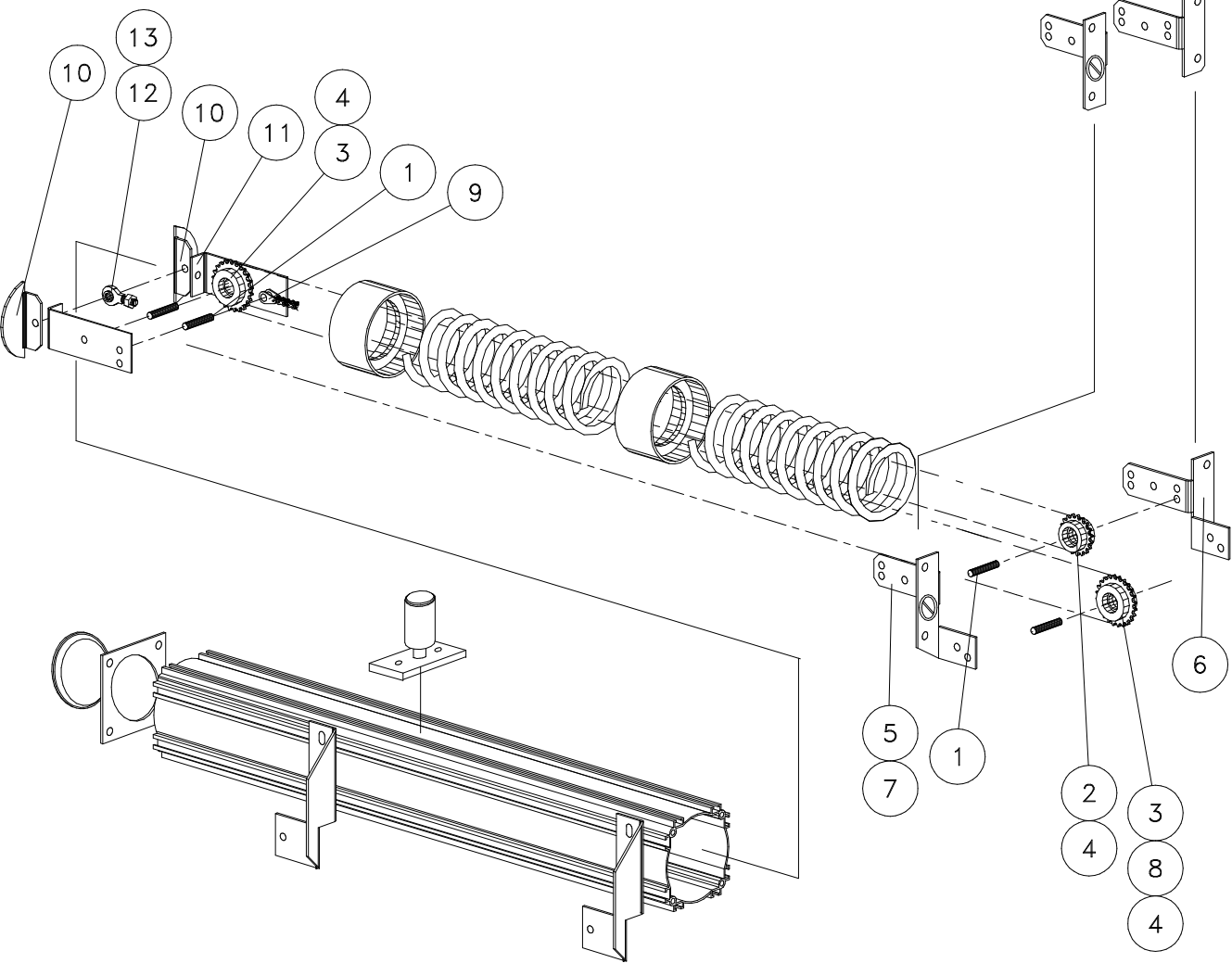
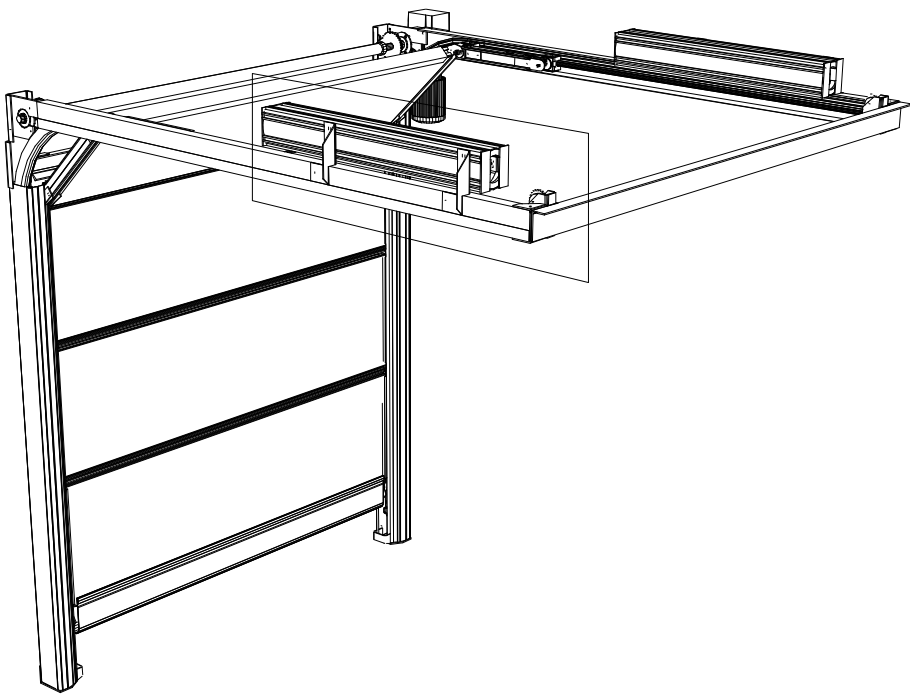


ILLUSTRATION 750-14	SIDE 29
COUNTER BALANCING SYSTEM. Doors > 25 m2.	

Pos.	Qua.	Artical No	Description	
		75-2302-XX	Set of chain pulleys, all ratios, Chain size 462	
1	3		Axle for breaking wheel l=49,5 mm	Pcs
2	1		Chain pulley D= 70 mm, chain 462	Pcs
3	2		Chain pulley D= 84 mm, chain 462	Pcs
4	6		Bearing	Pcs
		75-2306-XX	Chain pulleys front/outer, Chain size 462	
1	1		Axle for chain pulley l=49,5 mm	Pcs
3	1		Chain pulley D= 84 mm, chain 462	Pcs
4	2		Bearing	Pcs
		75-2413-XX	Chain pulleys unit, front, normal lift, complete with brack and shaft, chain size 462	
1	2		Axle for chain pulley l=49,5 mm	Pcs
2	1		Chain pulley D= 70 mm, chain 462	Pcs
3	1		Chain pulley D= 84 mm, chain 462	Pcs
5	1		Bracket cable pulley,right	Pcs
6	1		Bracket cable pulley,left	Pcs
4	4		Bearing	Pcs
7	1	97-6731-97	Prohibition sign 'no tools'	Pcs
		75-2414-XX	Chain pulley unit, front, low lift, complete with brackets a shaft, chain size 462	
1	2		Axle for chain pulley l=49,5 mm	Pcs
2	1		Chain pulley D= 70 mm, chain 462	Pcs
8	1		Chain pulley D= 118 mm, chain 462	Pcs
5	1		Bracket cable pulley,right	Pcs
6	1		Bracket cable pulley,left	Pcs
4	4		Bearing	Pcs
7	1	97-6731-97	Prohibition sign 'no tools'	Pcs
		75-2403-XX	Chain pulley unit, rear, all ratios, chain size 462	
9	1		End piece balancing chain 462	Pcs
1	2		Axle for chain pulley l=49,5 mm	Pcs
3	1		Chain pulley D= 84 mm, chain 462	Pcs
10	1		Bracket for breaking wheel clamp, spring Ö	Pcs
11	1		Chain pulley clamp	Pcs
12	1		Link coupling sa 10 e	Pcs
13	1		Axial ball bearing 51100	Pcs
4	2		Bearing	Pcs

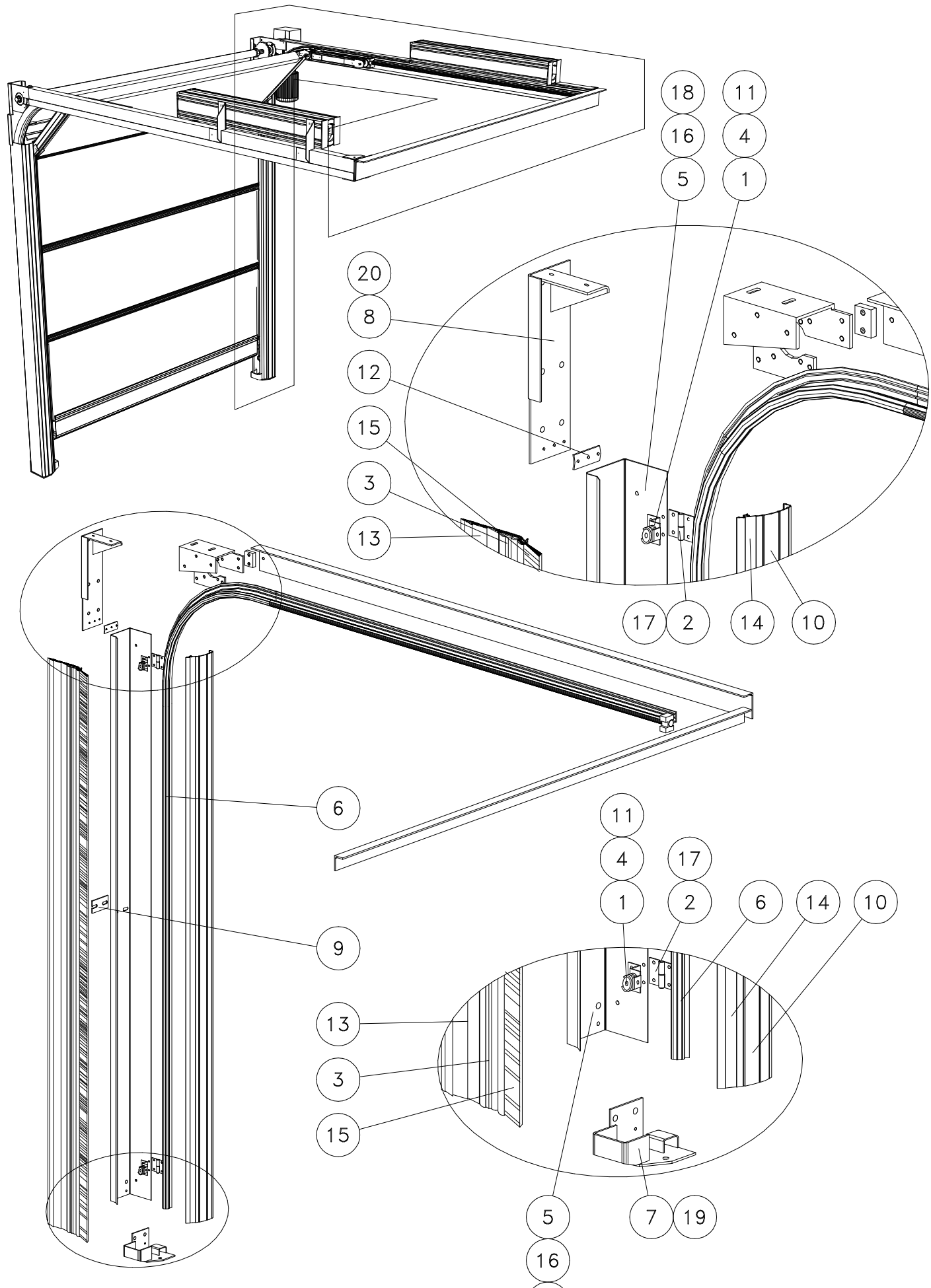


ILLUSTRATION 750-15	SIDE 31
VERTICAL FRAMES	
State daylight height, color and manufacturing number	

Pos.	Qua.	Artical No	Description	
		75-4002-PC	Side quadrant right -98 complete incl. foam rubber sealing State door height, color and manuf. number	
1	2		Distance. 8,2x18x15	Pcs
2	3		Hinge, roca right hand 928075	Pcs
3	1		Finishing strip 920-3300-00	M
4	3	75-4104-94	Bracket door lock	Pcs
5	1	75-4202-00	Frame profile right hand	M
6	1	75-4220-00	Guide in frame pg44816	M
7	1	75-4512-98	Bottom plate right hand	Pcs
8	1		Top wall bracket right hand	Pcs
9	1		Spacer (wall - frame) t=4 mm	Pcs
10	1	75-4924-00	Frame door profile pg39778	M
11	2		Bucket for door stop	Pcs
12	1		Connecting plate, lower-upper frame	Pcs
13	1		Rubber seal, for frame side	M
14	1	96-5123-01	Yellow strip	M
14	1	96-5123-02	Red strip	M
15	1	96-7610-13	Brush strip MINK 0,2/31 mm PA6 Curled (PE-core)	M
16	1	97-8150-00	Cable pit. Length = 1,5 m. E11 706 24.	Pcs
		75-4003-PC	Side quadrant left -98 complete incl. foam rubber sealing State door height, color and manuf. number	
1	2		Distance. 8,2x18x15	Pcs
17	3		Hinge, roca left hand 928076	Pcs
3	1		Finishing strip 920-3300-00	M
4	2	75-4104-94	Bracket door lock	Pcs
18	1	75-4203-00	Frame profile left hand	M
6	1	75-4220-00	Guide in frame pg44816	M
19	1	75-4513-98	Bottom plate left hand	Pcs
20	1		Top wall bracket left hand	Pcs
9	1		Spacer (wall - frame) t=4 mm	Pcs
10	1	75-4924-00	Frame door profile pg39778	M
11	2		Bucket for door stop	Pcs
12	1		Connecting plate, lower-upper frame	Pcs
13	1		Rubber seal, for frame side	M
14	1	96-5123-01	Yellow strip	M
14	1	96-5123-02	Red strip	M
15	1	96-7610-13	Brush strip MINK 0,2/31 mm PA6 Curled (PE-core)	M
16	1	97-8150-00	Cable pit. Length = 1,5 m. E11 706 24.	Pcs

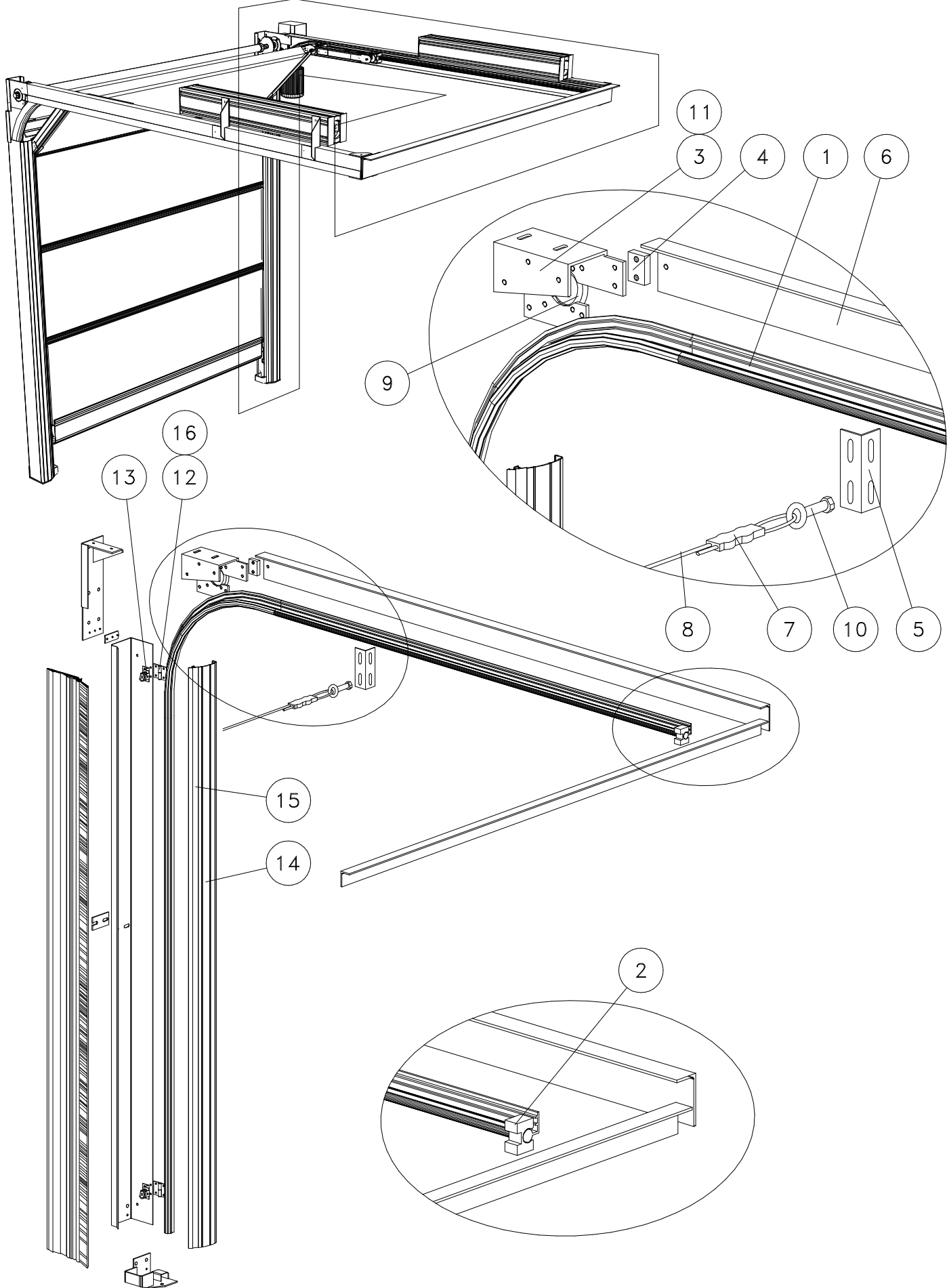


ILLUSTRATION 750-16	SIDE 33
HORIZONTAL FRAMES, VERTICAL COVER PROFILES	
State daylight dimensions and color.	

Pos.	Qua.	Artical No	Description	
		75-4012-PC	Horizontal guide frame right -98 complete state door height and manufacturing number	
1	1		Guide in frame pg44816	M
2	1		Guide block stop	Pcs
3	1		Bearing bracket right hand	Pcs
4	1		Distance plate	Pcs
5	1		Bracket for safety wire	Pcs
6	1		L-profile (al) 100x50x5	M
7	1	96-1515-92	Cable clamp 5 mm	Pcs
8	1		Steel cable (m)	M
9	1	96-4711-79	Bearing diameter 30 mm	Pcs
10	1		Eye bolt m10x40 closed	Pcs
		75-4013-PC	Horizontal guide frame left -98 complete state door height and manufacturing number	
1	1		Guide in frame pg44816	M
2	1		Guide block stop	Pcs
11	1		Bearing bracket left hand	Pcs
4	1		Distance plate	Pcs
5	1		Bracket for safety wire	Pcs
6	1		L-profile (al) 100x50x5	M
7	1	96-1515-92	Cable clamp 5 mm	Pcs
8	1		Steel cable (m)	M
9	1	96-4711-79	Bearing diameter 30 mm	Pcs
10	1		Eye bolt m10x40 closed	Pcs
		75-4099-PC	Side quadrant door left alu, complete incl. hinges, decor strip state door height and color	
12	3	42-4107-95	Hinge left, Roca 928076	Pcs
13	2		Bracket door lock	Pcs
14	1	75-4924-00	Frame door profile pg39778	M
15	1	96-5123-01	Yellow strip	M
15	1	96-5123-02	Red strip	M
		75-4100-PC	Side quadrant door right alu, complete incl. hinges, decor strip state door height and color	
16	3	42-4106-95	Hinge right, Roca 928075	Pcs
13	2		Bracket door lock	Pcs
14	1	75-4924-00	Frame door profile pg39778	M
15	1	96-5123-01	Yellow strip	M
15	1	96-5123-02	Red strip	M
				M

