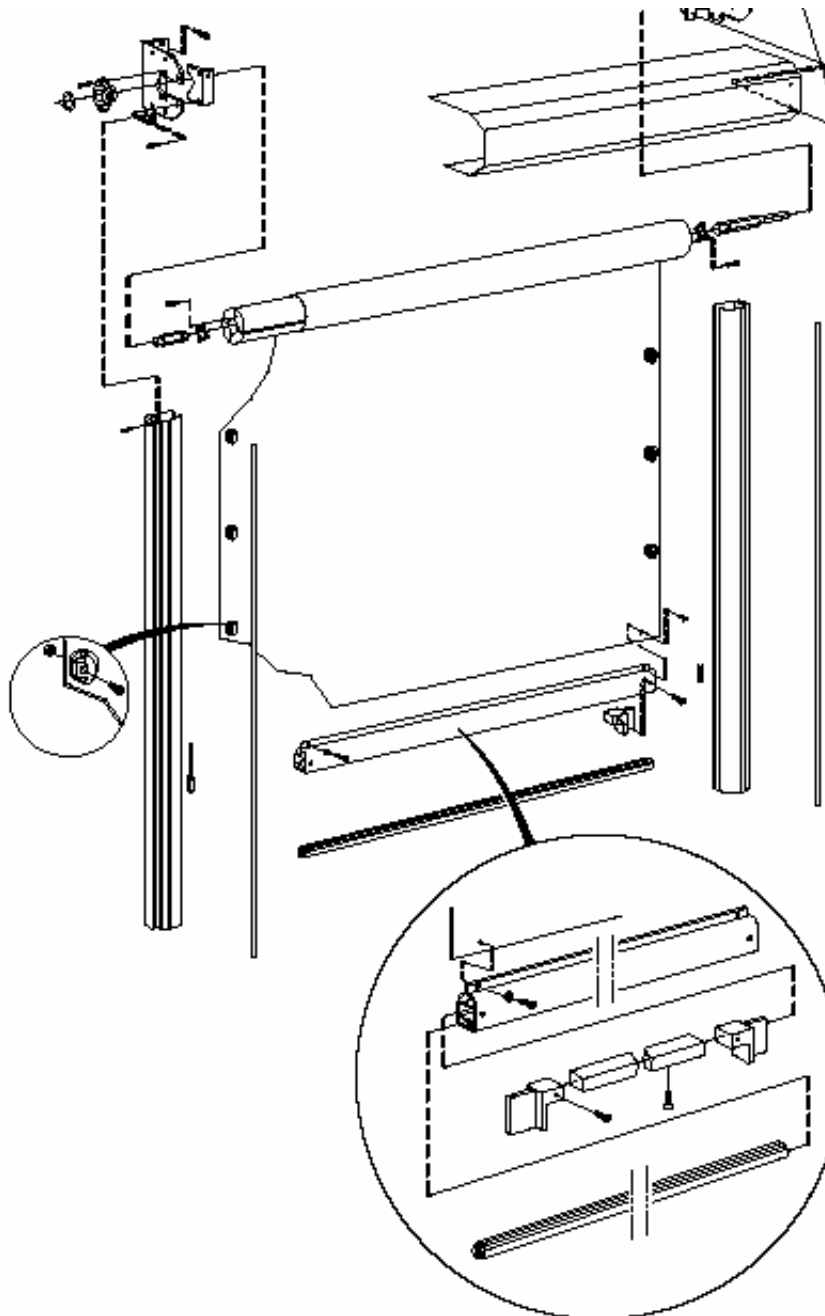


# steril<sup>®</sup> stokvis

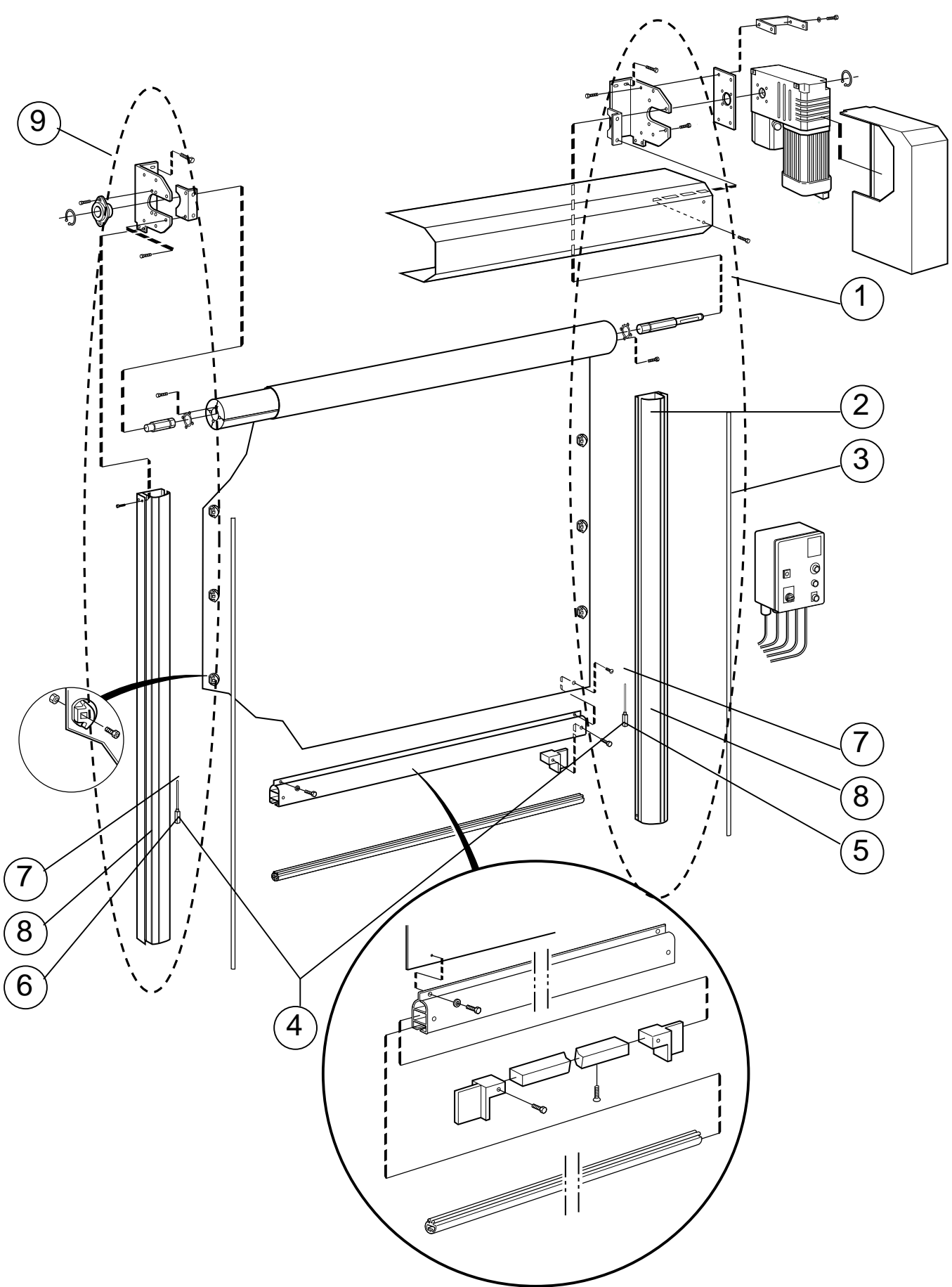
Rapid Roll 320

Spare Parts List



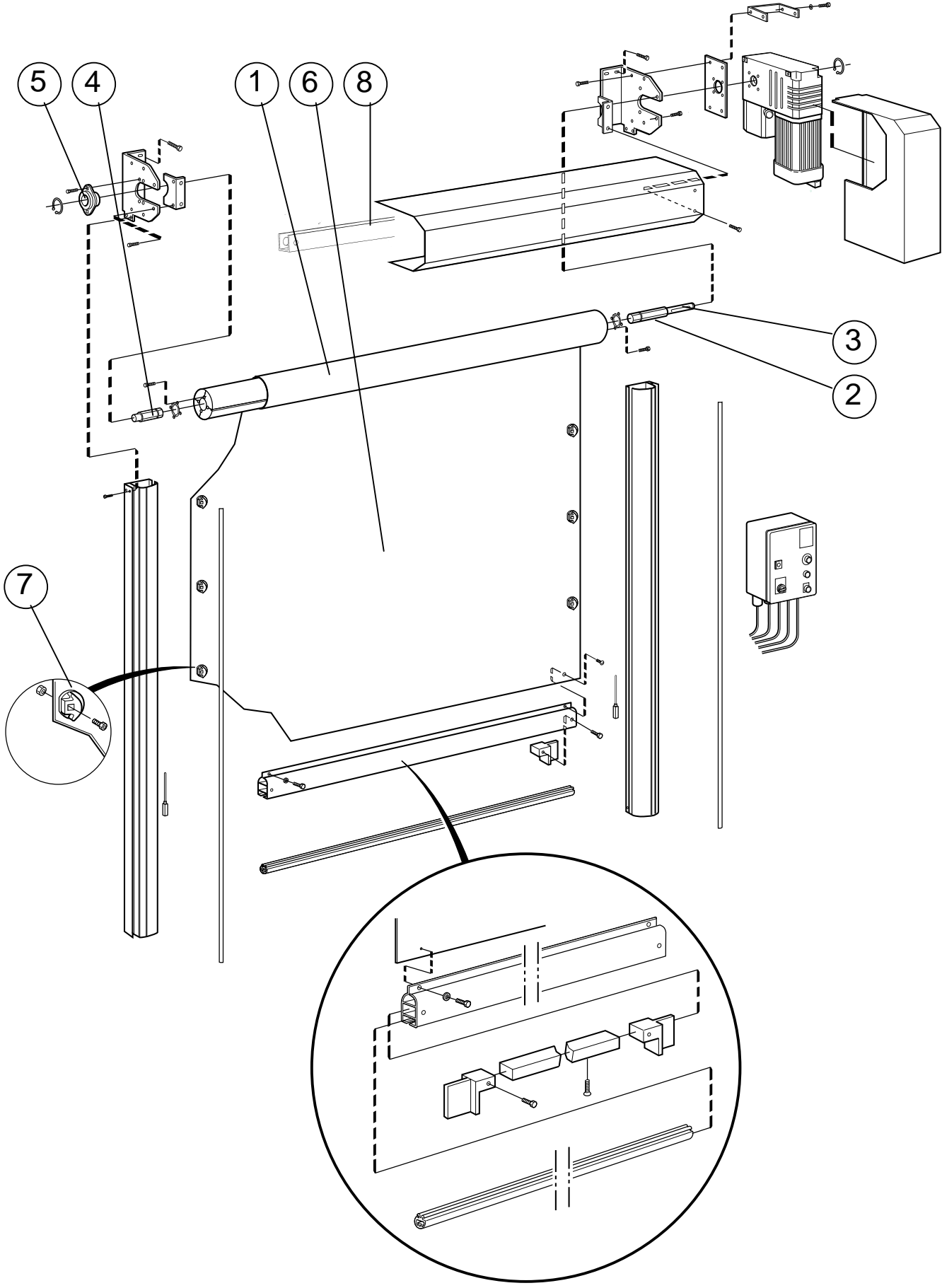
# Spare part list RR 320 Mini





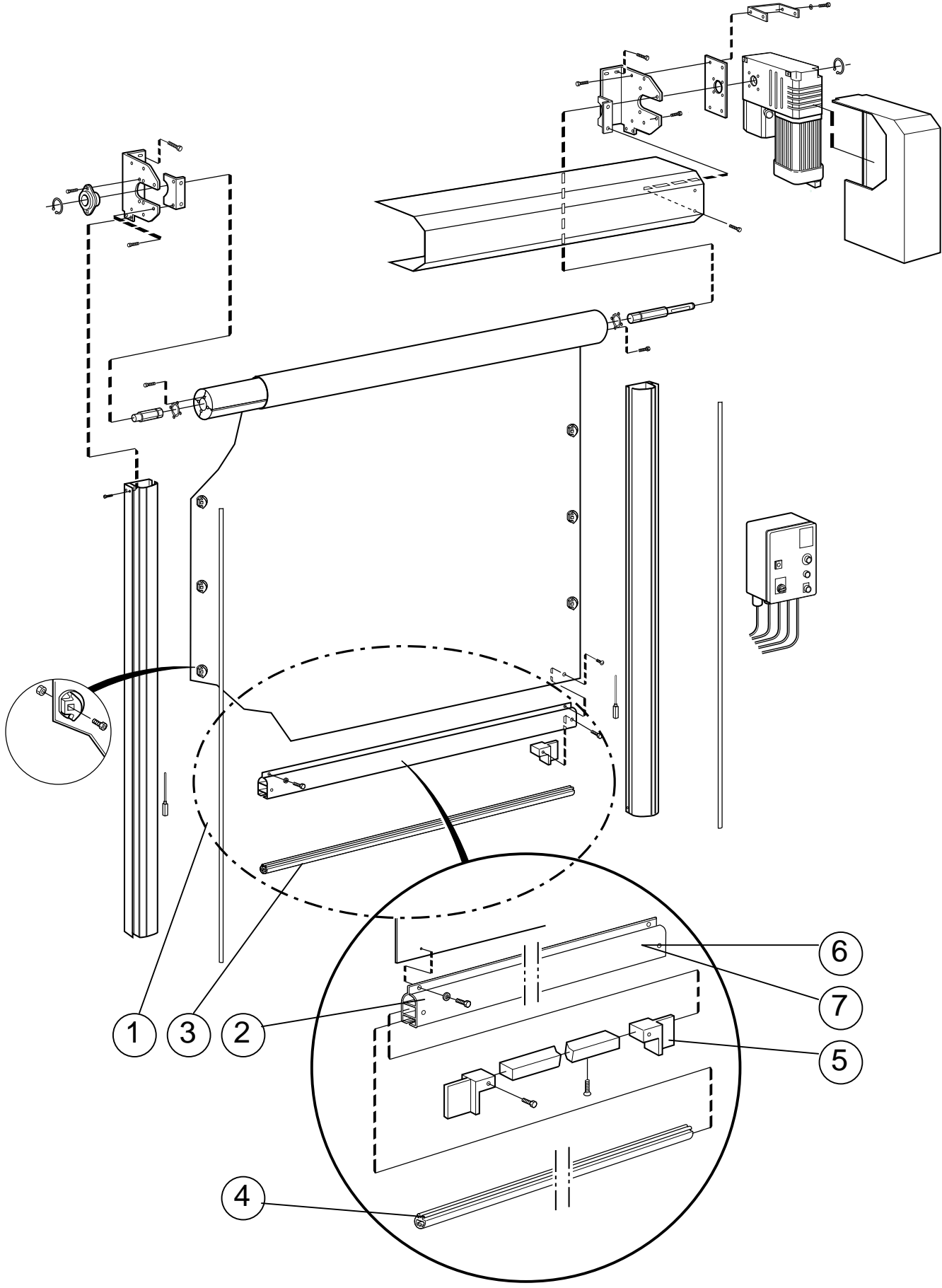
**RR320 Mini, 2004-10-12, Version 00**

Pos. Item	Description	Bemerkung Note	gültig ab valid from	gültig bis valid to	Art.-Nr. Item-No	Delivery time class	1	Einheit Unit	Anzahl pro Tor Quantity per door	Wear part / Slijdtailj
<b>I Side frame right</b>										
1	Side frame mini RH cpl		► 2004-01		32-4004-PC	B		m	1	
	Side frame mini RH incl photocell cpl		► 2004-01		32-4006-PC	B		m	1	
	Side frame RH incl photocell cpl		2004-02 ►		3322VG007	B		m	1	
2	Frame profile pre-drilled with cover strip		2004-02 ►		3322VG008	B		m	1	
3	Cover strip yellow		► 2004-01		96-5123-01	A		m	1	
	Cover strip red		► 2004-01		96-5123-02	A		m	1	
	Cover strip wide yellow		2004-02 ►		3324VG001	A		m	1	
4	Photocell Bernstein set cpl				96-6427-XX	A		Stck./pc.	1	
5	Photocell Bernstein transmitter				4904R0211	A		Stck./pc.	1	
7	Cable photocell 10m 3x0.25				96-6460-10	A		Stck./pc.	1	
	Cable photocell 15m 3x0.25				96-6460-15	A		Stck./pc.	1	
8	Bracket photocell Bernstein		2004-02 ►		4521V0102	A		Stck./pc.	1	
<b>II Side frame left</b>										
9	Side frame mini LH cpl		► 2004-01		32-4005-PC	B		m	1	
	Side frame mini LH incl photocell cpl		► 2004-01		32-4007-PC	B		m	1	
	Side frame LH incl photocell cpl		2004-02 ►		3322VG006	B		m	1	
2	Frame profile pre-drilled with cover strip		2004-02 ►		3322VG008	B		m	1	
3	Cover strip yellow		► 2004-01		96-5123-01	A		m	1	
	Cover strip red		► 2004-01		96-5123-02	A		m	1	
	Cover strip wide yellow		2004-02 ►		3324VG001	A		m	1	
4	Photocell Bernstein set cpl				96-6427-XX	A		Stck./pc.	1	
6	Photocell Bernstein receiver				4904R0283	A		Stck./pc.	1	
7	Cable photocell 10m 3x0.25				96-6460-10	A		Stck./pc.	1	
	Cable photocell 15m 3x0.25				96-6460-15	A		Stck./pc.	1	
8	Bracket photocell Bernstein		2004-02 ►		4521V0102	A		Stck./pc.	1	



**RR320 Mini, 2004-10-12, Version 00**

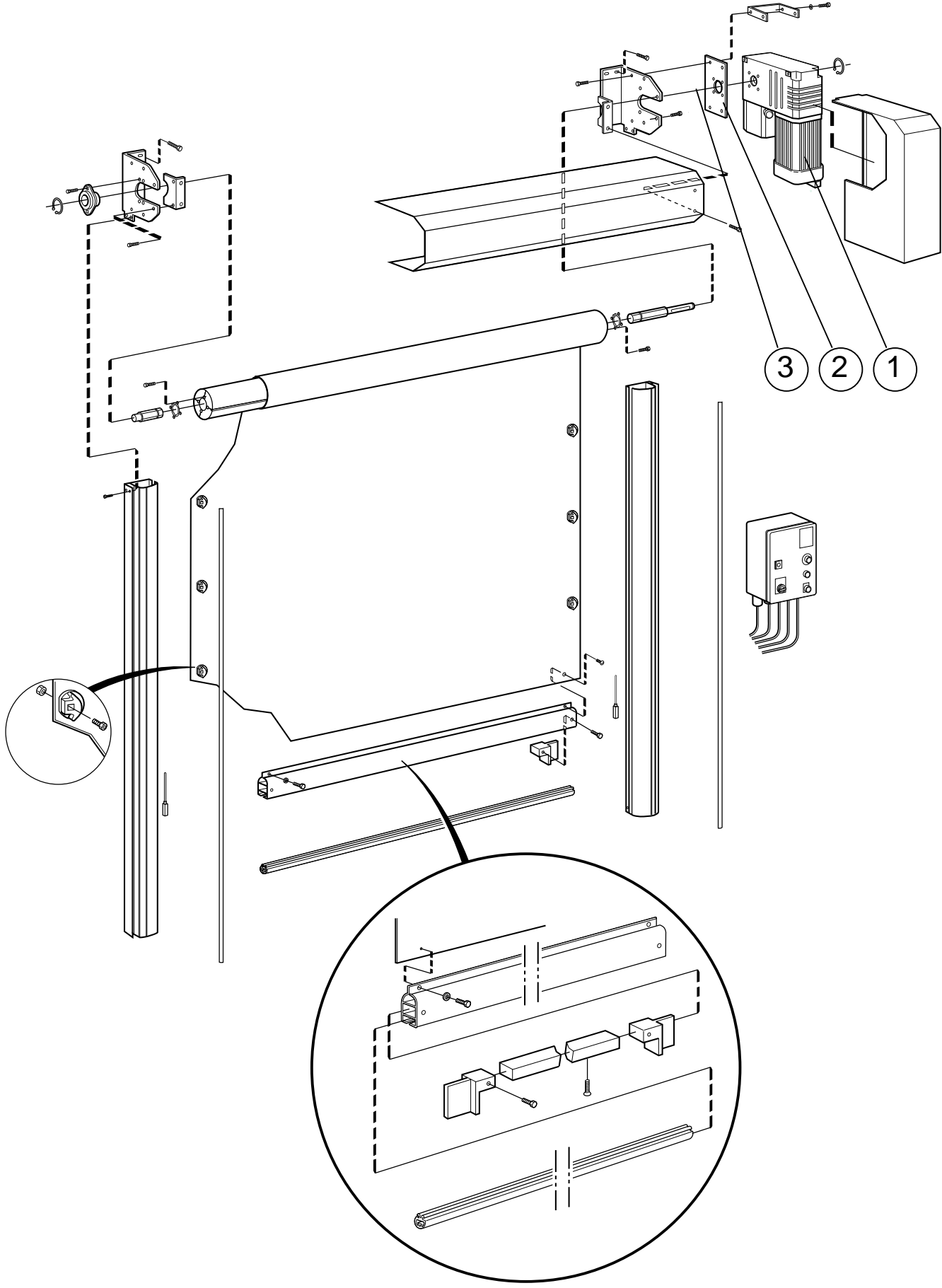
Pos. Item	Description	Bemerkung Note	gültig ab valid from	gültig bis valid to	Art.-Nr. Item-No	Delivery time class	1	Einheit Unit	Anzahl pro Tor Quantity per door	Verschleißteil part / Sliedetailj	Wear
<b>III</b>	<b>Top roll / curtain</b>										
1	Top roll with 20mm shaft Becker cpl		► 2004-03		32-3317-PC	B		m	1		
	Top roll with 30mm shaft cpl	Becker drive	2004-04 ►		3302VG001	B		m	1		
2	Shaft 20mm drive side Becker		► 2004-03		32-3615-99	A		Stck./pc.	1		
	Shaft 30mm drive side GfA	Becker drive	2004-04 ►		4521R0846	A		Stck./pc.	1		
3	Key 6x6x70mm		► 2004-03		96-3666-99	A		Stck./pc.	1		
	Key 8x7x50mm		2004-04 ►		5409R0018	A		Stck./pc.	1		
4	Shaft 30mm non drive side				32-3602-97	A		Stck./pc.	1		
5	Bearing D30				5103v0007	A		Stck./pc.	2		
6	Door blade 300				32-3000-PC	C	S	Stck./pc.	1		
7	Windtab cpl				4121V0019	A		Stck./pc.	max 8		
8	Distance rod		2004-02 ►		3332VG001	B		m	1		



**RR320 Mini, 2004-10-12, Version 00**

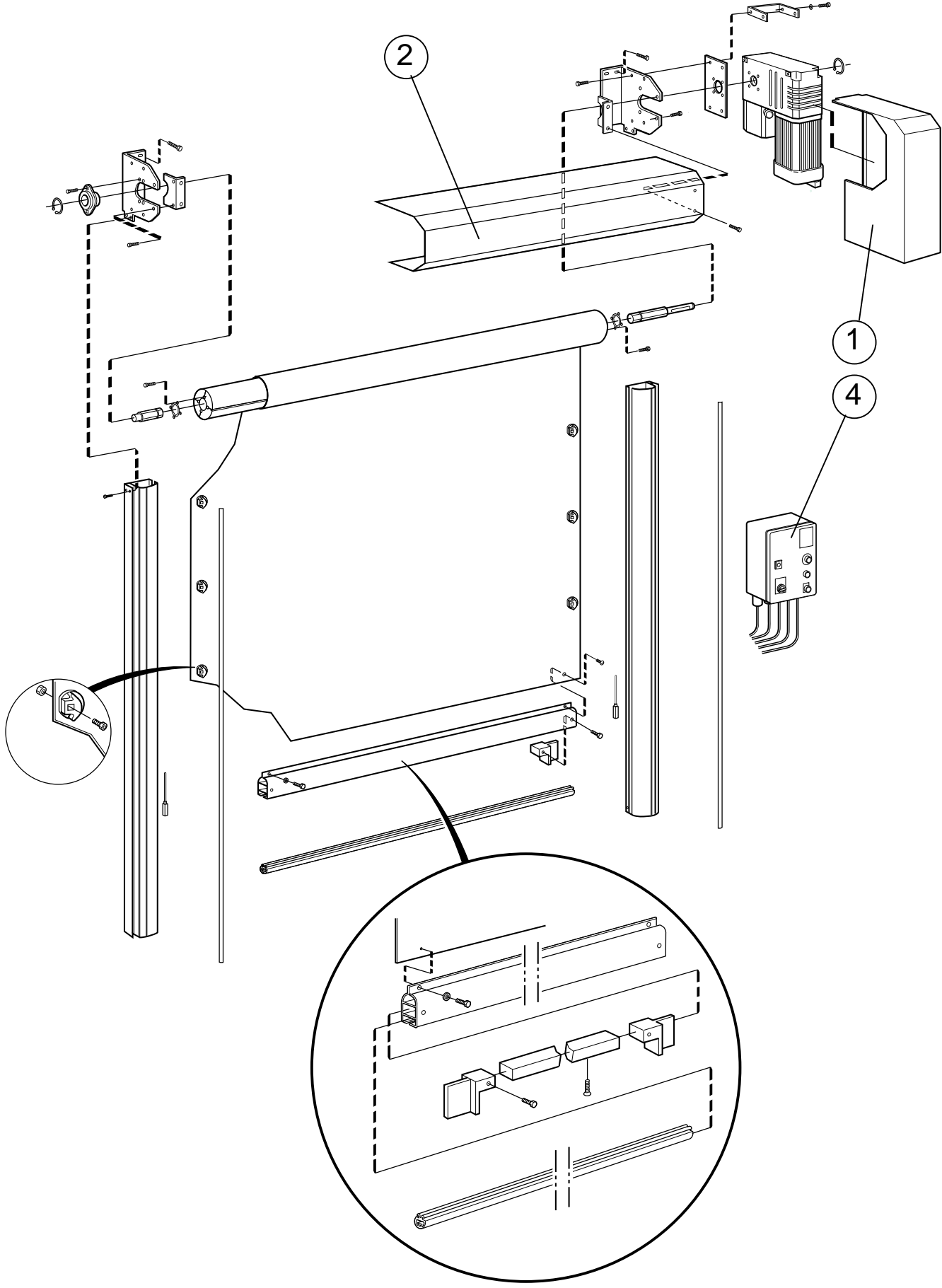
Pos. Item	Description	Bemerkung Note	gültig ab valid from	gültig bis valid to	Art.-Nr. Item-No	Delivery time class	1	Einheit Unit	Anzahl pro Tor Quantity per door	Wear part / Slijdtel
	<b>Bottom profile with safety edge</b>									
<b>IV</b>	<b>Bottom profile with safety edge</b>									
1	Bottom beam mini Bircher 8.2 kohm cpl		► 2000-09		32-1034-PC	A		m	1	
	Bottom beam mini Mayser 8.2 kohm cpl		2000-09 ► ► 2003-12		32-1054-PC	B		m	1	
	Bottom beam mini Mayser 8.2 kohm cpl		2004-01 ►		3316VG015	B		m	1	
2	Bottom beam mini pre-drilled				32-1100-PC	A		m	1	
3	Rubber profile mini Bircher 8.2 kohm cpl		► 2000-09		32-1334-PC	A		m	1	
	Rubber profile mini Mayser 8,2 kohm cpl		2000-09 ► ► 2003-12		3316VG010	B		m	1	
	Rubber profile Mayser 8.2 kohm cpl		2004-01 ►		32-1350-PC	B		m	1	
4	Mayser contact edge 8.2 kohm cpl		2000-10 ►		3316VG002	B		m	1	
5	Sliding guide				4121V0018	A		Stck./pc.	2	
6	Connector 3M UR2				4910V0013	A		Stck./pc.	2	
7	Coil cable 3x0.75		► 2004-04		96-6105-96	A		Stck./pc.	1	X
	Coil cable 5x0.75		2004-05 ►		4907R0038	A		Stck./pc.	1	X
8	Albany sign 100x40				6403v0003	A		Stck./pc.	2	





RR320 Mini, 2004-10-12, Version 00

Pos. Item	Description	Bemerkung Note	gültig ab valid from	gültig bis valid to	Art.-Nr. Item-No	Delivery time class	1	Einheit Unit	Anzahl pro Tor Quantity per door	Wear part / Slijdtalij
<b>VI</b>	<b>Drive unit</b>									
1	Drive unit cpl Becker	ACS50	► 2004-04		3203V0002	A		Stck./pc.	1	
	Drive unit cpl Becker	ACS50	2004-05 ►		6601V0001	A		Stck./pc.	1	
2	Torque arm Becker				4521V0117	A		Stck./pc.	1	
3	Rubber bush				5004V0001	A		Stck./pc.	1	



RR320 Mini, 2004-10-12, Version 00

Pos. Item	Description	Bemerkung Note	gültig ab ▲ gültig bis valid from ▲ valid to	Art.-Nr. Item-No	Delivery time class		Einheit Unit	Anzahl pro Tor Quantity per door	Wear part / Slijdtelaj
					1				
<b>Options</b>									
<b>VIII Options</b>									
1	Motor cover mini RH cpl			32-4887-XX	A		Stck./pc.	1	
	Motor cover mini LH cpl			32-4888-XX	A		Stck./pc.	1	
2	Top roll cover cpl std and mini			32-4980-PC	C		m	1	
3	Albany sign 250x100			6403v0001	A		Stck./pc.	1	
4	Control box cpl 300			32-8500-PC	B	S	Stck./pc.	1	

Legend	
1	
S	No automatic price calculation
Delivery time	
A	Within 24 hours
B	2-3 Workdays
C	5-8 Workdays
D	10-14 Workdays
Wear parts	
x	Standard wear with time/use

