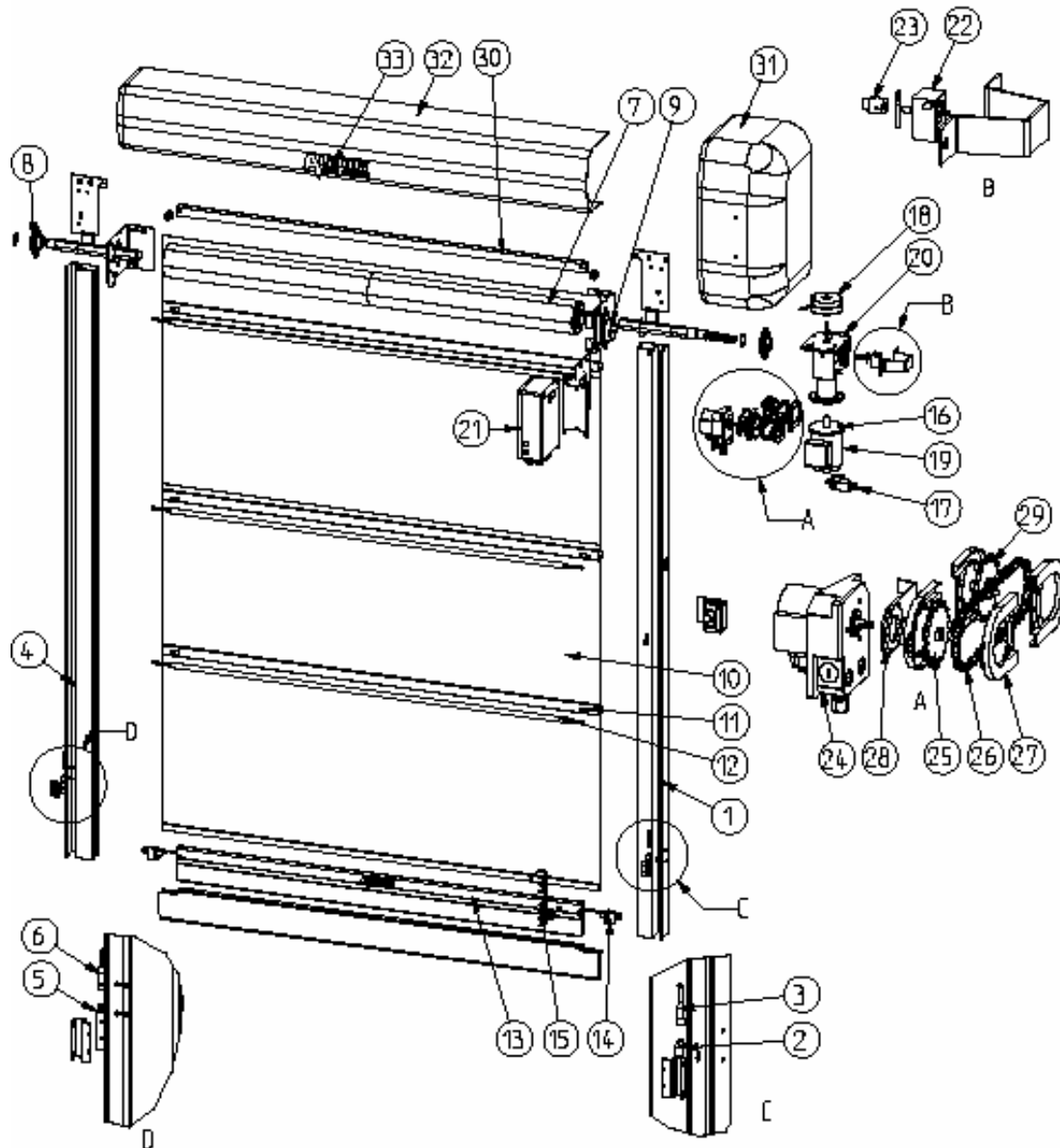




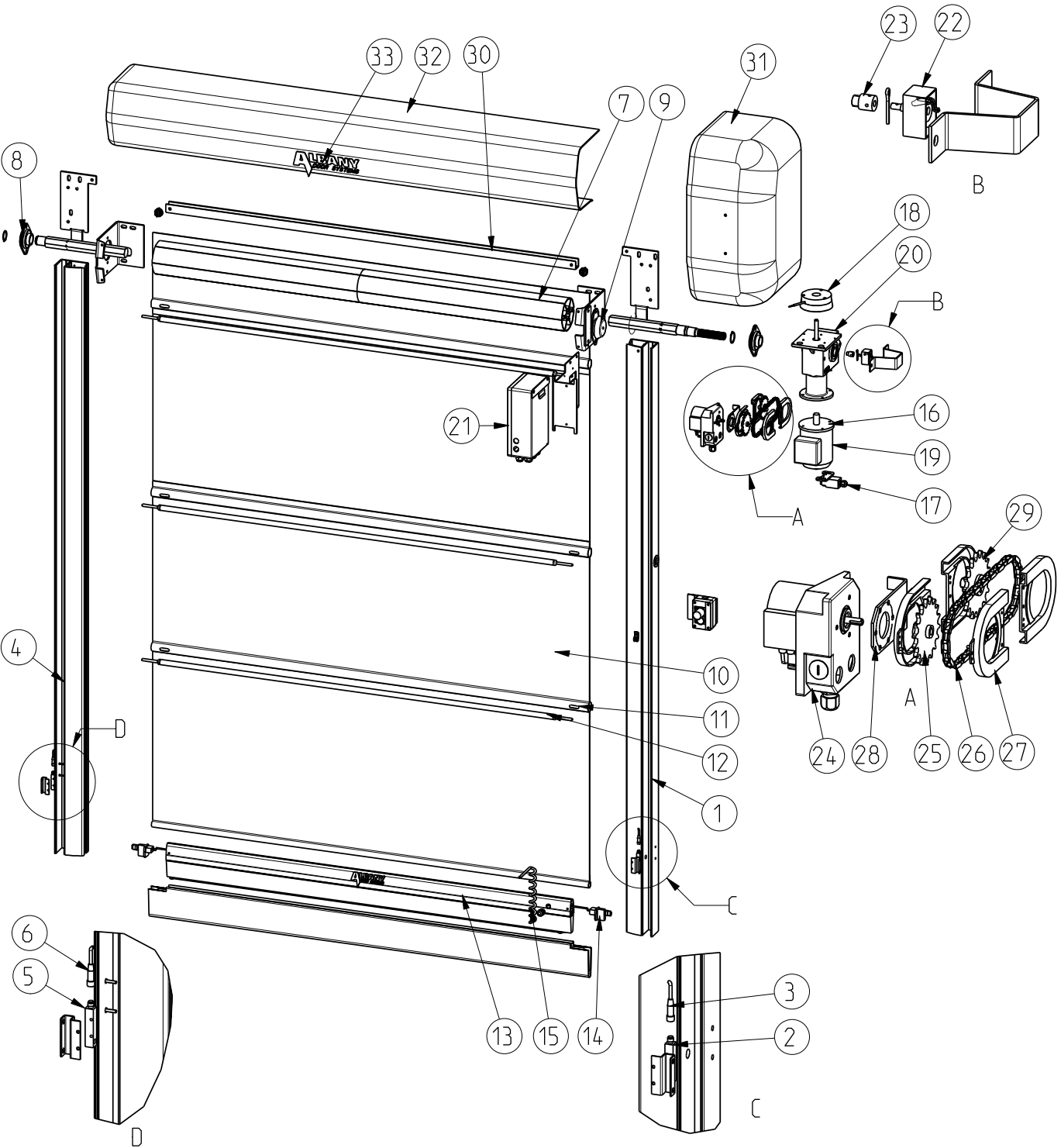
Rapid Roll 220

Spare Parts List

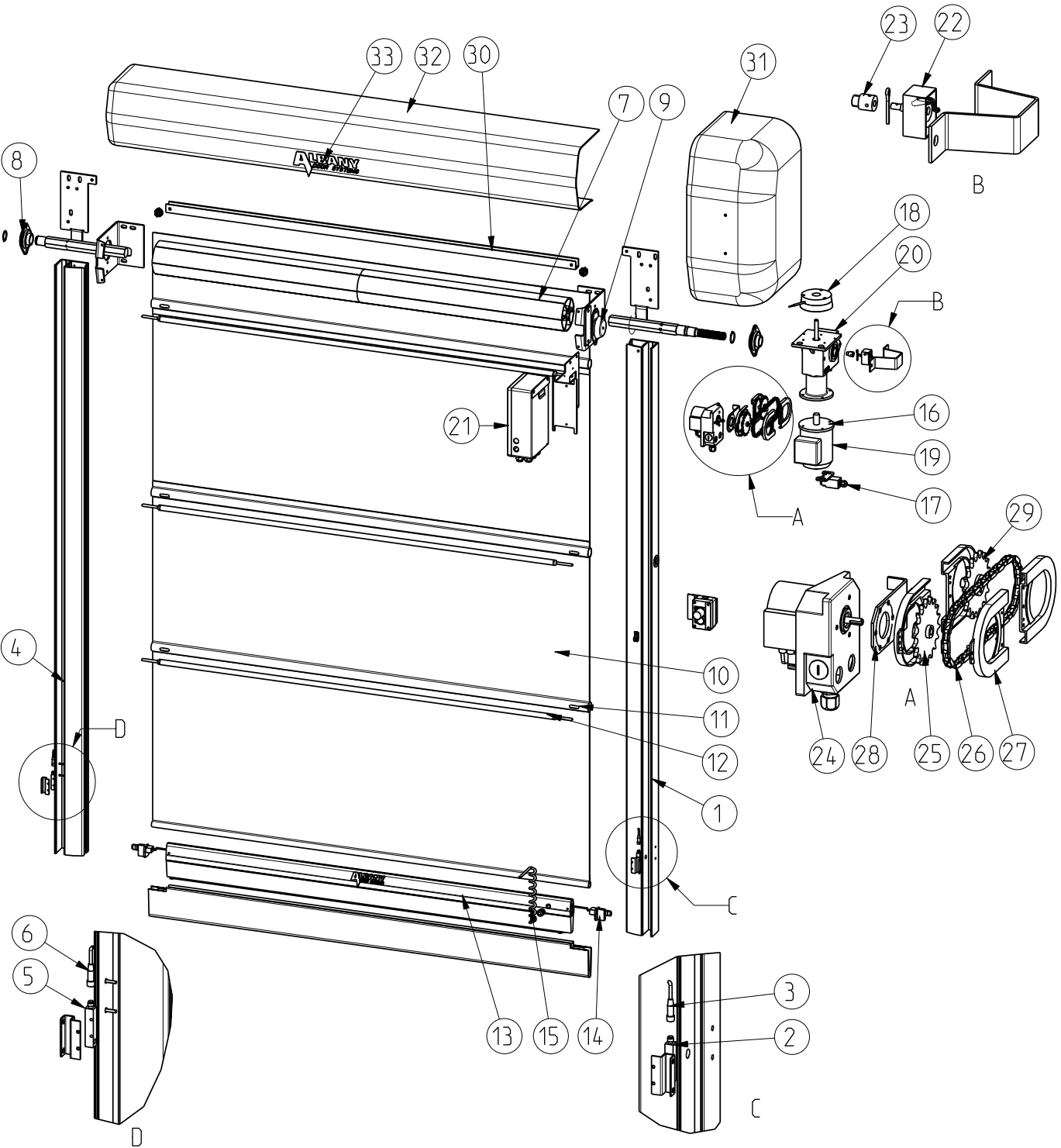


Spare part list
RR 220





Pos. Item	Description	Bemerkung Note	gültig ab ▲ gültig bis valid from ▲ valid to	Art.-Nr. Item-No	Delivery time class	1	Einheit Unit	Anzahl pro Tor Quantity per door	Verschleißteil part / Slitdetalje	Wear
I Side frame ri										
1	Side frame ri (motor side)			22-4000-PC	C		m	1		
2	Photozell receiver			4904R0283	A		Stck./pc.	1		
3	Cable photozell 10m			96-6460-10	A		Stck./pc.	1		
II Side frame le (See drawing side frame RH)										
4	Side frame le (non motorside)			22-4001-PC	C		m	1		
5	Photozell transmitter			4904R0211	A		Stck./pc.	1		
6	Cable photozell 15m			96-6460-15	A		Stck./pc.	1		
III Top roll with curtain										
7	Top roll			22-3315-PC	C		Stck./pc.	1		
8	Bearing unit d=30mm			5103V0007	A		Stck./pc.	2		
9	Damper			96-4830-91	A		Stck./pc.	1		
10	Door blade cpl			22-3000-PC	C		m ²	1		
11	Reinforcement doorblade			22-3205-10	A		Stck./pc.	4		
12	WS-tube steel			22-5200-PC	C		m	3		
IV Bottom profile w. safety edge crash										
13	Bottom beam cpl			22-1040-PC	C		m	1		
14	Guide bottom beam			22-1510-XX	A		Stck./pc.	2	x	
15	Coil cable 3m straight			4907R0038	A		Stck./pc.	1		
V Drive unit										
16	Drive unit			22-9330-XX	C		Stck./pc.	1		
17	Crank switch			00-9014-26	A		Stck./pc.	1		
18	Brake 4 Nm			03-0135-25	C		Stck./pc.	1		
19	Motor 0,18 kW			03-0814-01	C		Stck./pc.	1		
20	Gear box			03-9001-25	C		Stck./pc.	1		
VI Control box										
21	Controll panel 220			22-8500-PC	C		Stck./pc.	1		
22	A-pos ri, 2m cable			4904V0062	A		Stck./pc.	1	x	
22	A-pos ri, 2m cable			4904V0063	A		Stck./pc.			x
22	A-pos le, 2m cable			4904V0064	A		Stck./pc.			x
22	A-pos le, 5m cable			4904V0065	A		Stck./pc.			x
23	Shaft adapter for potentiometer			4721V0034	A		Stck./pc.	1		
24	Stromag limit switch box, 3 limits			4906V0012	A		Stck./pc.	1		
25	Chain wheel for limit switch box			4521R0448	A		Stck./pc.	1		
26	Chain for limit switch box			5105R0036	A		Stck./pc.	1		
27	Chain cover			4906R0015	A		Stck./pc.	4		
28	Bracket for limit switch box			4521V0100	A		Stck./pc.	1		
29	Chain wheel for drive shaft, modified			4521V0103	A		Stck./pc.	1		



Pos. Item	Description	Bemerkung Note	gültig ab ▲ gültig bis ▼ valid from ▲ valid to ▼	Art.-Nr. Item-No	Delivery time class	1	Einheit Unit	Anzahl pro Tor Quantity per door	Verschleißteil part / Slidetaile
VII Options									
30	Distance rod			22-4412-PC	C		m	1	
31	Motor cover ri			4121V0016	A		Stck./pc.	1	
31	Motor cover le			4121V0017	A		Stck./pc.		
32	Top roll cover			22-4980-PC	C		m	1	
33	Albany Sign			6403v0003	A		Stck./pc.	1	
	Rebuilding kit, potentiometer to limit switch box			3204V0002	A		Stck./pc.	1	

Legend	
1	
S	No automatic price calculation
Delivery time	
A	Within 24 hours
B	2-3 Workdays
C	5-8 Workdays
D	10-14 Workdays
Wear parts	
x	Standard wear with time/use

