



XPH dockleveller

Spare Parts List

Fig. A Deck

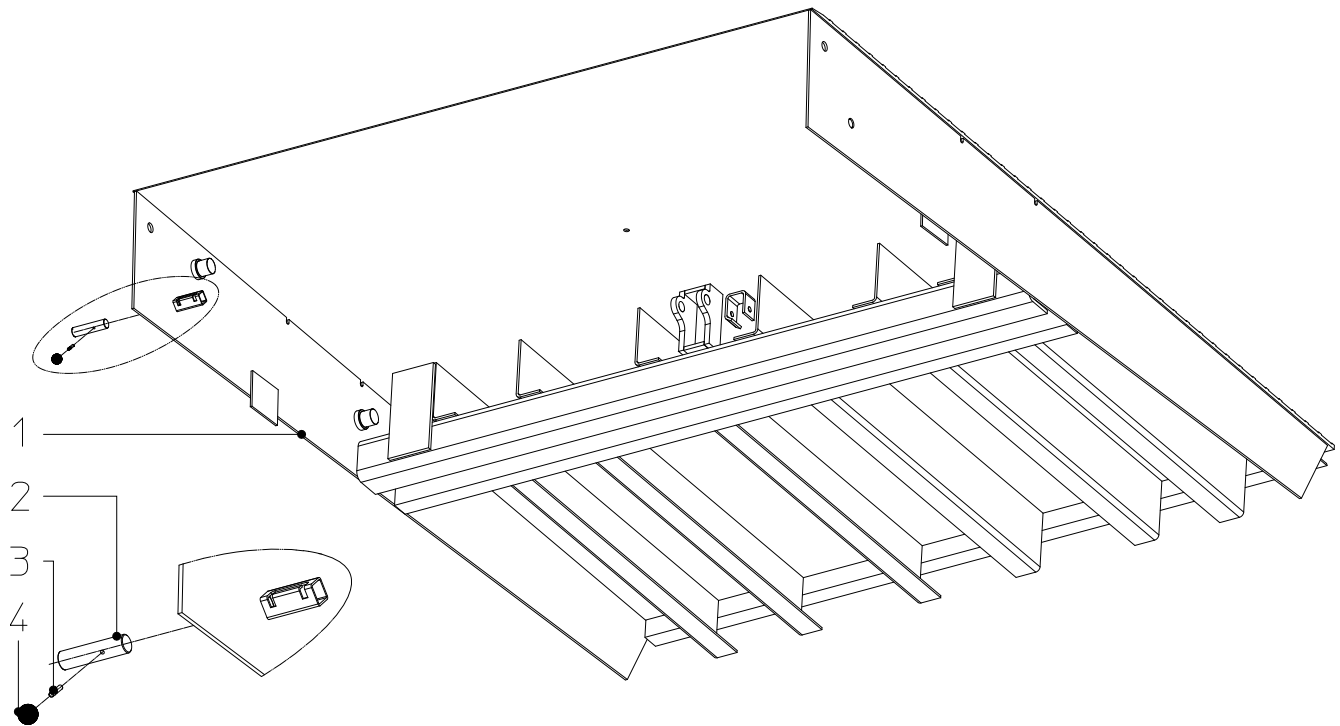


Table A-1 Decks (1) (thread plate)

Width/Length	XPH 20..	XPH 22..	XPH 25..	XPH 28..	XPH 30..	XPH 35..
XPH..20	07204100	07214100	07224100	07234100	07244100	07254100
XPH..21	07206100	07216100	07226100	07236100	07246100	07256100
XPH..22	07208100	07218100	07228100	07238100	07248100	07258100

Table A-2 Additional parts

Index	Reference	Description
2	02400003	Maintenance pin
3	65025055	Stud bolt
4	1005.11.00.03	Ball knob

Fig. B Frame

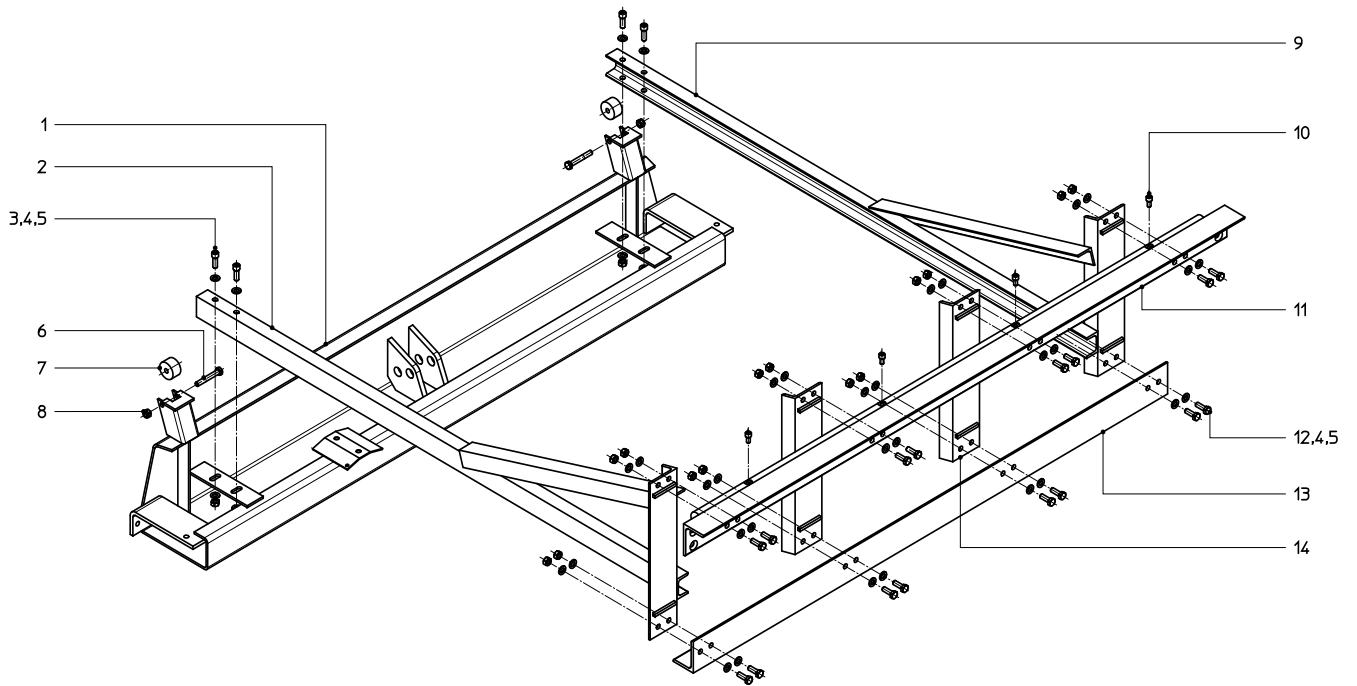


Table B-1 Subframe beams

	XPH 20..	XPH 22..	XPH 25..	XPH 28..	XPH 30..	XPH 35..
Side beam Left (9)	07100210	07110210	07120210	07130210	07140210	06150210
Side beam Right (2)	07100215	07110215	07120215	07130215	07140215	06150215
Vert. support (14)	06100240	06100240	06100240	06100240	06100240	06150240

Table B-2 Subframe parts

	Front angle (1)	Rear support (13)	Rear hinge (11)
XPH..20	07204220	06100230	06104225
XPH..21	07206220	06100230	06106225
XPH..22	07208220	06100230	06108225

Table B-3 Additional parts

Index	Reference	Description
3	65012448	Socket head screw
4	65055021	Washer
5	65050136	Hex. nut
6	65002457	Hex. head screw
7	02400006	Guide roller
8	65051036	Self locking nut
10	65012443	Socket head screw
12	65003448	Hex. Head screw

Fig. C Lip

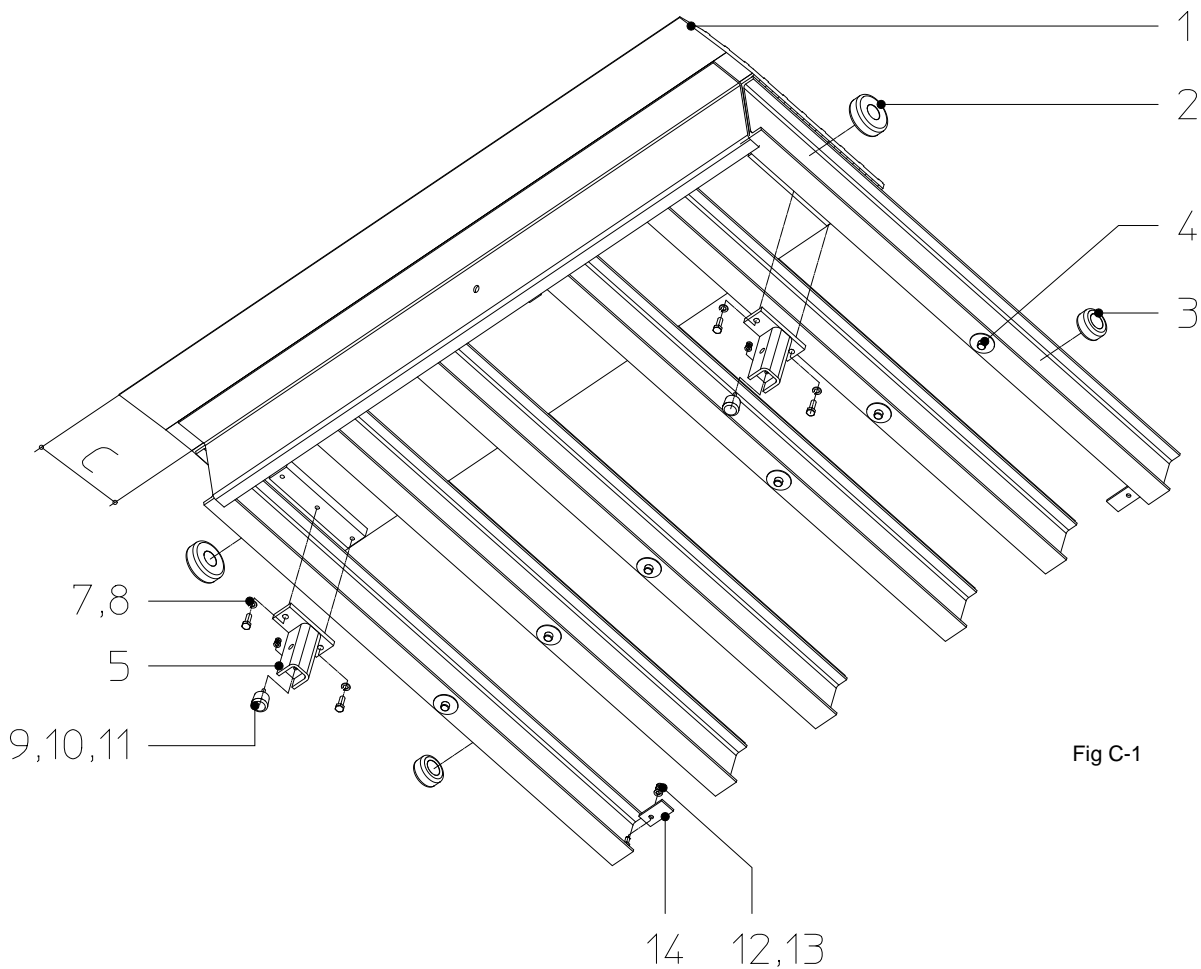


Fig C-1

Table C-1 Lip with standard clearance C = 240 mm (thread plate)

Lip (1)				Guide roller front (2)	Guide roller rear (3)	Slide plate (4)
Width/Length	06	08*	10**			
XPH..20	07204300	07214300	07224300	02400004	02400005	02400002
XPH..21	07206300	07216300	07226300	02400004	02400005	02400002
XPH..22	072008300	07218300	07228300	02400004	02400005	02400002

* Only for models 20.. and 22.. **Not for models 20.. and 22..

Table C-2 Additional parts

Index	Reference	Description
5	07200006	CTL A 20../22../25../28../30..
	07250006	CTL A 35..
7	65058032	Spring washer
8	65003447	Hex head screw
9	65050132	Hex nut
10	1038060084	Washer
11	66201046	Rubber buffer CTL
12	65051034	Self locking nut
13	65055019	Washer
14	07200309	Safety hook

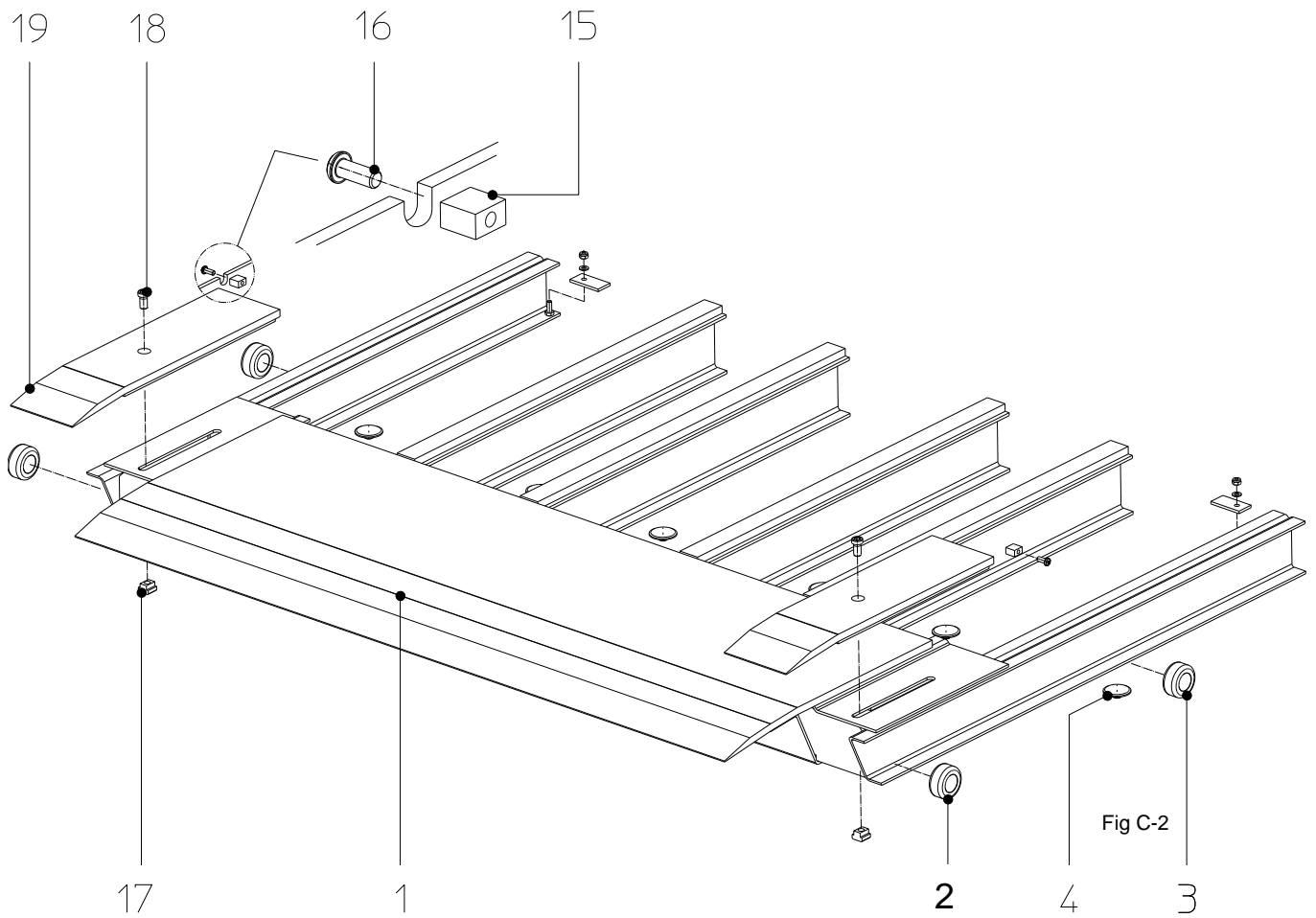


Fig C-2

Table C-3 Lip with standard clearance C = 240 mm and sections (thread plate)

Lip (1)				Guide roller front (2)	Guide roller rear (3)	Slide plate (4)
Width	06	08*	10**			
XPH..22	07208325	07218325	07228325	02400005	02400005	02400002
Section (19)	02663200	02673200	02673200	-	-	-

* Only for models 20.. and 22.. **Not for models 20.. and 22..

Table C-4 Additional parts

Index	Reference	Description
15	02400001	Stop block
16	65025056	Button head screw
17	65225005	T-slot nut
18	65225004	Socket head screw

Fig. D Hydraulic unit

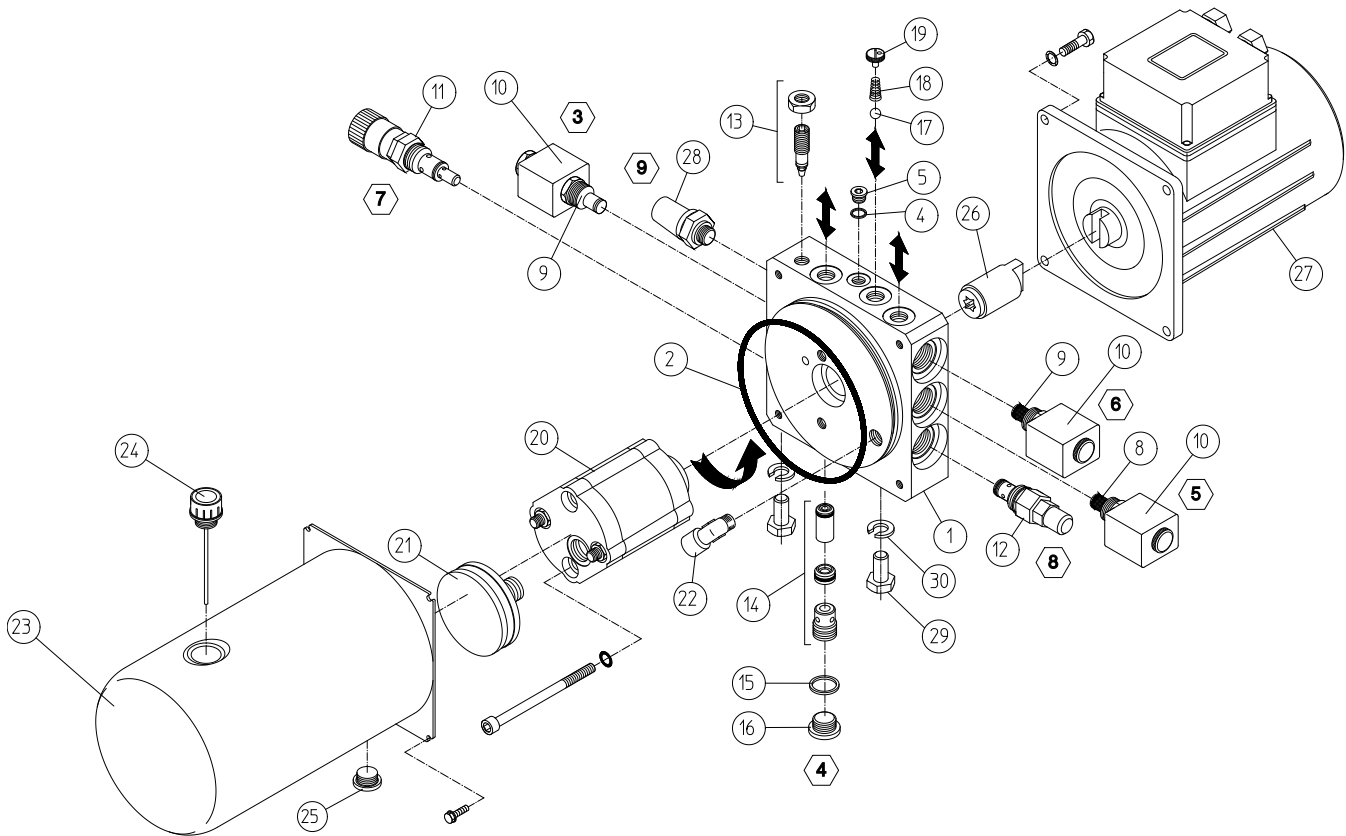
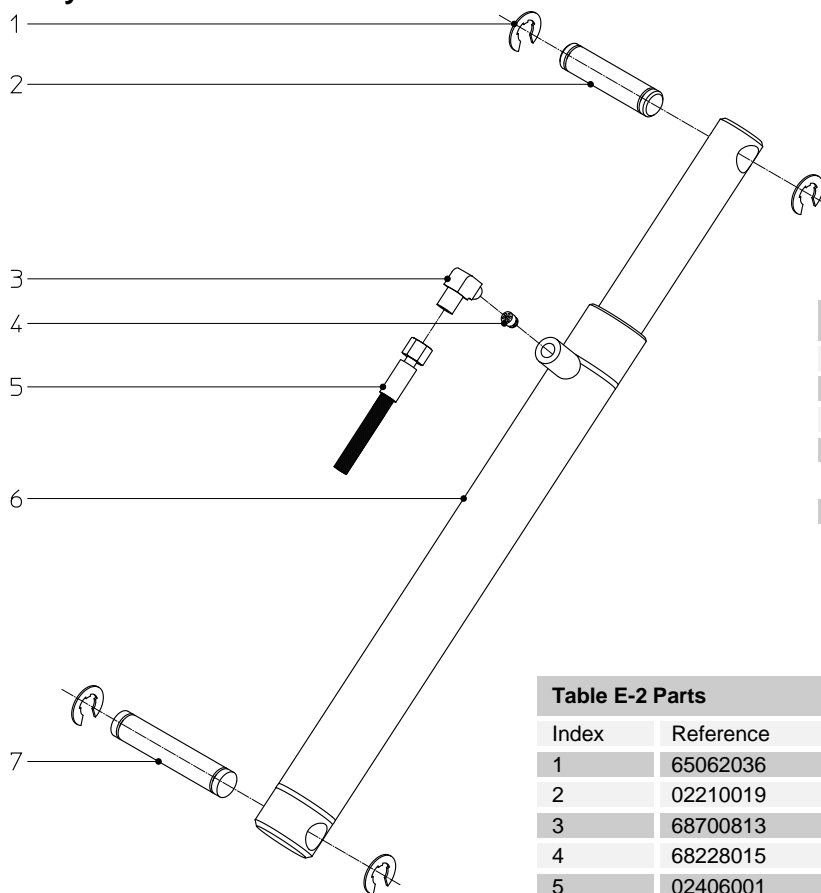


Table D-1 Hydraulic unit

Index	Reference	Description
-	02606600	Hydr. pump unit assy. 230/400V - 50 HZ
-	02606960	Hydr. pump unit assy. 200V - 50 HZ (Option)
-	02606965	Hydr. pump unit assy. 200V - 60 HZ (Option)
-	02606970	Hydr. pump unit assy. 230V - 60 HZ (Option)
2	02606602	O-Ring
8	68308013	2/2 Cartr. valve CEI-D-DT
9	68308014	2/2 Cartr. valve NC BI-DIR.
10	69481501	Solenoid
11	32006257	Main release valve
12	68208501	Lip release valve
13	68238501	Throttle
14	02335636	Logic valve
16	02600699	Plug (incl. pos. 15)
20	68113020	Hydr. pump 50 Hz
21	68821301	Suction filter
23	02606623	Tank
24	02335614	Filler/breather/dipstick
25	02335623	Drain plug
26	02606626	Coupling
27	02335611	Electric motor 230/400V - 50 Hz
28	69171019	Pressure switch
29	65003447	Hex head screw
30	65055021	Washer

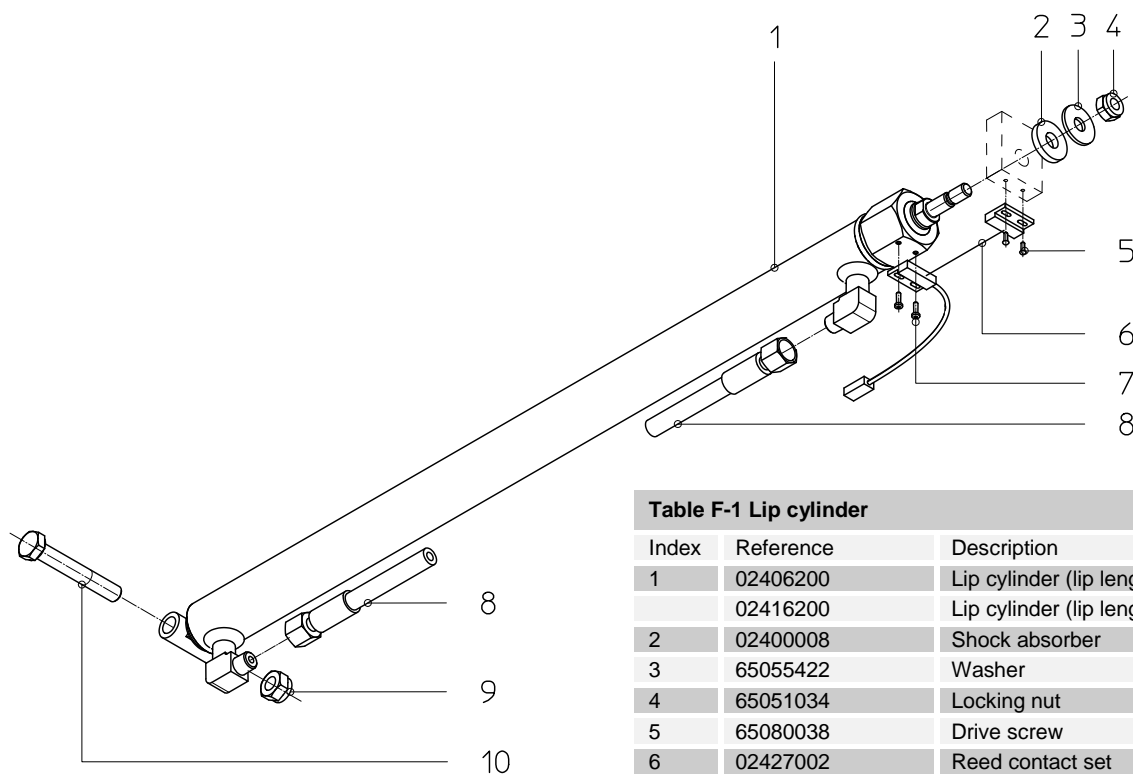
Fig. E Main cylinder



XPH 20..	
XPH 22..	07200625
XPH 25..	
XPH 28..	07230625
XPH 30..	
XPH 35..	07250625

Index	Reference	Description
1	65062036	Retaining ring
2	02210019	Hinge pin (deck side)
3	68700813	Adaptor
4	68228015	Safety valve
5	02406001	Hydr. hose main cylinder
6	- see Table E-1 -	Main cylinder (incl. 3 and 4)
7	01510021	Hinge pin (frame side)

Fig. F Lip cylinder



Index	Reference	Description
1	02406200	Lip cylinder (lip length 06)
	02416200	Lip cylinder (lip length 08/10)
2	02400008	Shock absorber
3	65055422	Washer
4	65051034	Locking nut
5	65080038	Drive screw
6	02427002	Reed contact set
7	65034167	Screw
8	02406002	Hose lip cylinder
9	65051036	Lock nut
10	65002457	Hex head screw