

Spare part list
RR 910

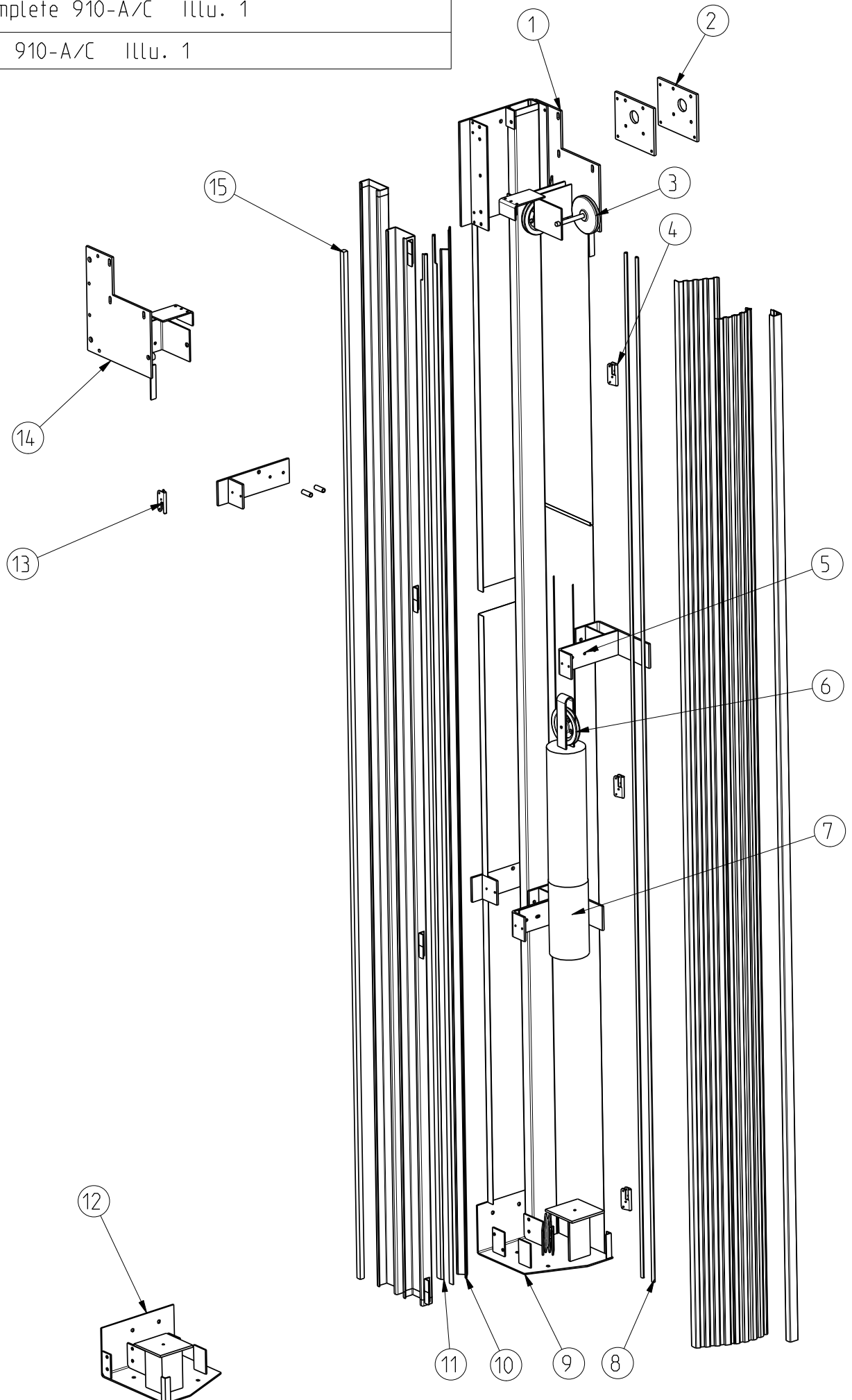


2013-05 Index 00

Karm komplett 910-A/C Illu. 1

Frame complete 910-A/C Illu. 1

Seitenteil 910-A/C Illu. 1



Drawing number

SP-120830-04

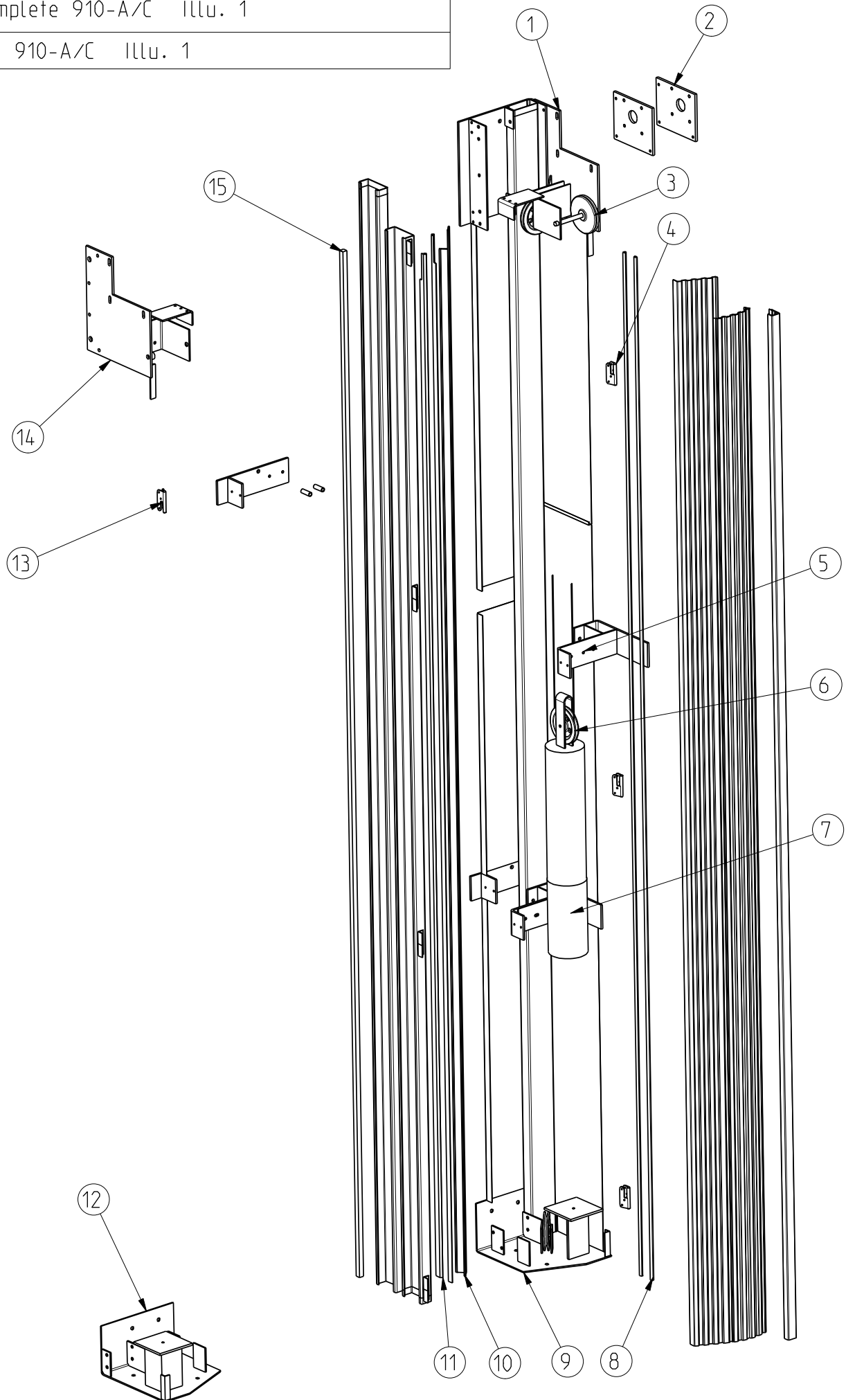
Revision 0

RR 910, Version 15			gültig ab ▲ gültig bis valid from ► valid to	Art.-Nr. Item-No	1	Lieferzeit Delivery time class	Einheit Unit	Anzahl pro Tor Quantity per door	Verschleißteil part / Slidetailje	Wear
Pos.	Description	Bemerkung Note								
I	Frame	SP-120830-04_01								
	Side quadrant RH 910 A complete	DH ≤ 5840		D91-4004-PC	G	C	m	1		
	excl. Weight, steel cable, pulley bracket	DH > 5840				D				
	State door height									
3	Guide pulley			D90-4984-85		A	pce	1		
7	Guide for counter weight 910			D91-2575-88		B	pce	1		
5	Quadrant reinforcement 910			D91-4135-88		A	pce	2		
9	Bottom bracket, rh 910			D91-4510-88		A	pce	1		
1	Bearing bracket rh 910			D91-4710-88		A	pce	1		
6	Cable pulley with 2 bearings complete			D4121V0021		A	pce	2		
4	Hinge, right hand			D96-4104-79		A	pce	max 5		
15	Foam seal 20x20 mm			D4402RG007	G	A	pce	1		
8	Rubber seal 10x12 d-list epdm			D4402RG009	G	A	pce	1		
10	Brush strip MINK 0,2/31 mm PA6 Curled			D4121RG026	G	A	m	1	x	
11	Bracket for superseal d 45			D4721RG180	G	A	m	1		
2	Bearing bracket diam. 273			D4521V0009		A	pce	1		
	valid for 91-4004-PC and 91-4005-PC									

Karm komplett 910-A/C Illu. 1

Frame complete 910-A/C Illu. 1

Seitenteil 910-A/C Illu. 1



Drawing number

SP-120830-04

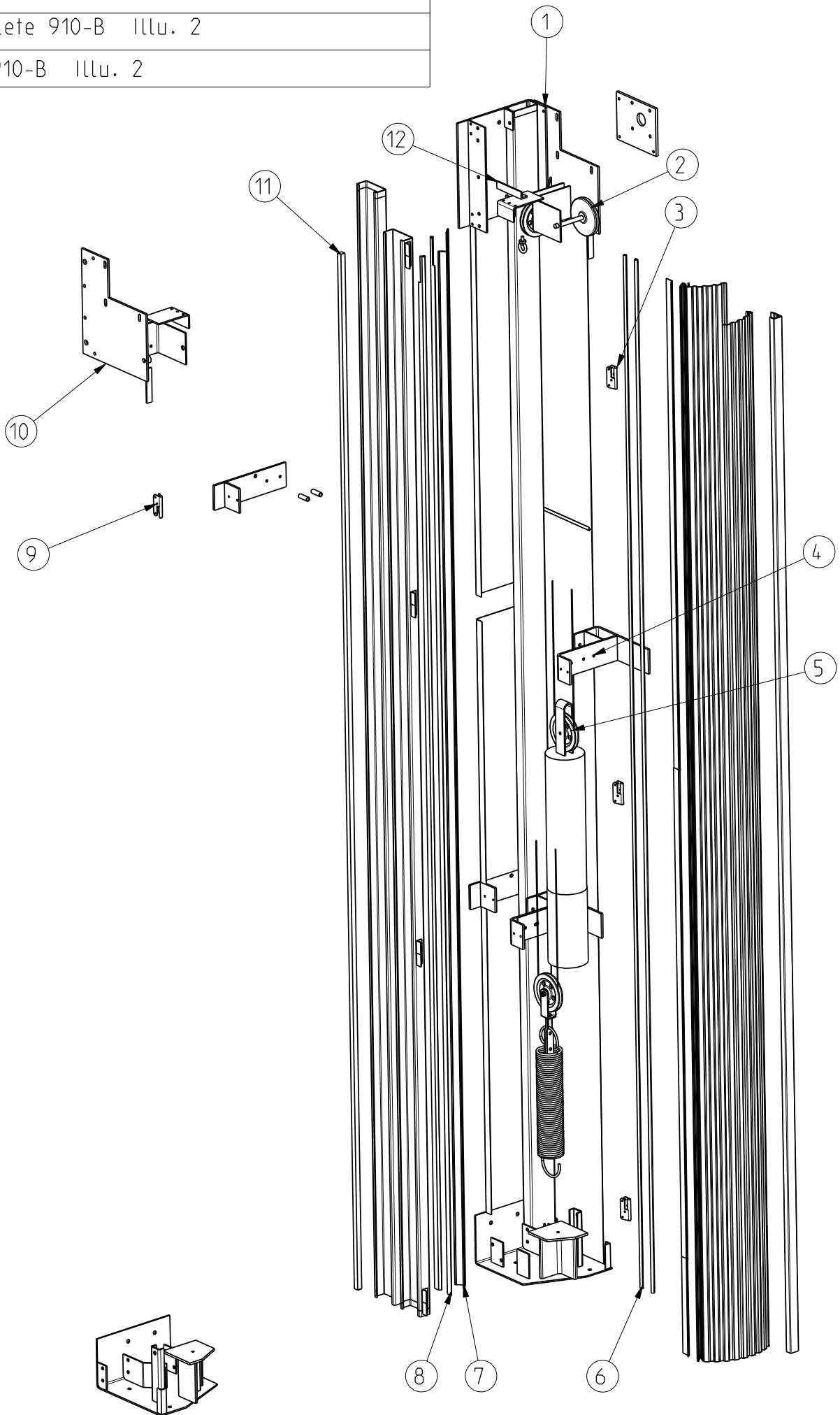
Revision 0

RR 910, Version 15			gültig ab ▲ gültig bis valid from ► valid to	Art.-Nr. Item-No	1	Lieferzeit Delivery time class	Einheit Unit	Anzahl pro Tor Quantity per door	Verschleißteil Wear part / Siltetalje
Pos.	Description	Bemerkung Note							
I	Frame	SP-120830-04_01							
	Side quadrant LH 910 A complete excl. Weight, steel cable, pulley bracket	DH ≤ 5840 DH > 5840		D91-4005-PC	G	C D	m	1	
	State door height								
3	Guide pulley			D90-4984-85		A	pce	1	
7	Guide for counter weight 910			D91-2575-88		B	pce	1	
5	Quadrant reinforcement 910			D91-4135-88		A	pce	2	
12	Bottom bracket, lh 910			D91-4511-88		A	pce	1	
14	Bearing bracket lh 910			D91-4711-88		A	pce	1	
6	Cable pulley with 2 bearings complete			D4121V0021		A	pce	2	
13	Hinge, left hand			D96-4105-79		A	pce	max 5	
15	Foam seal 20x20 mm			D4402RG007	G	A	pce	1	
8	Rubber seal 10x12 d-list epdm			D4402RG009	G	A	pce	1	
10	Brush strip MINK 0,2/31 mm PA6 Curled			D4121RG026	G	A	m	1	x
11	Bracket for superseal d 45			D4721RG180	G	A	m	1	
2	Bearing bracket diam. 273 valid for 91-4004-PC and 91-4005-PC			D4521V0009		A	pce	1	

Karm komplett 910-B Illu. 2

Frame complete 910-B Illu. 2

Seitenteil 910-B Illu. 2



Drawing number

SP-120830-04

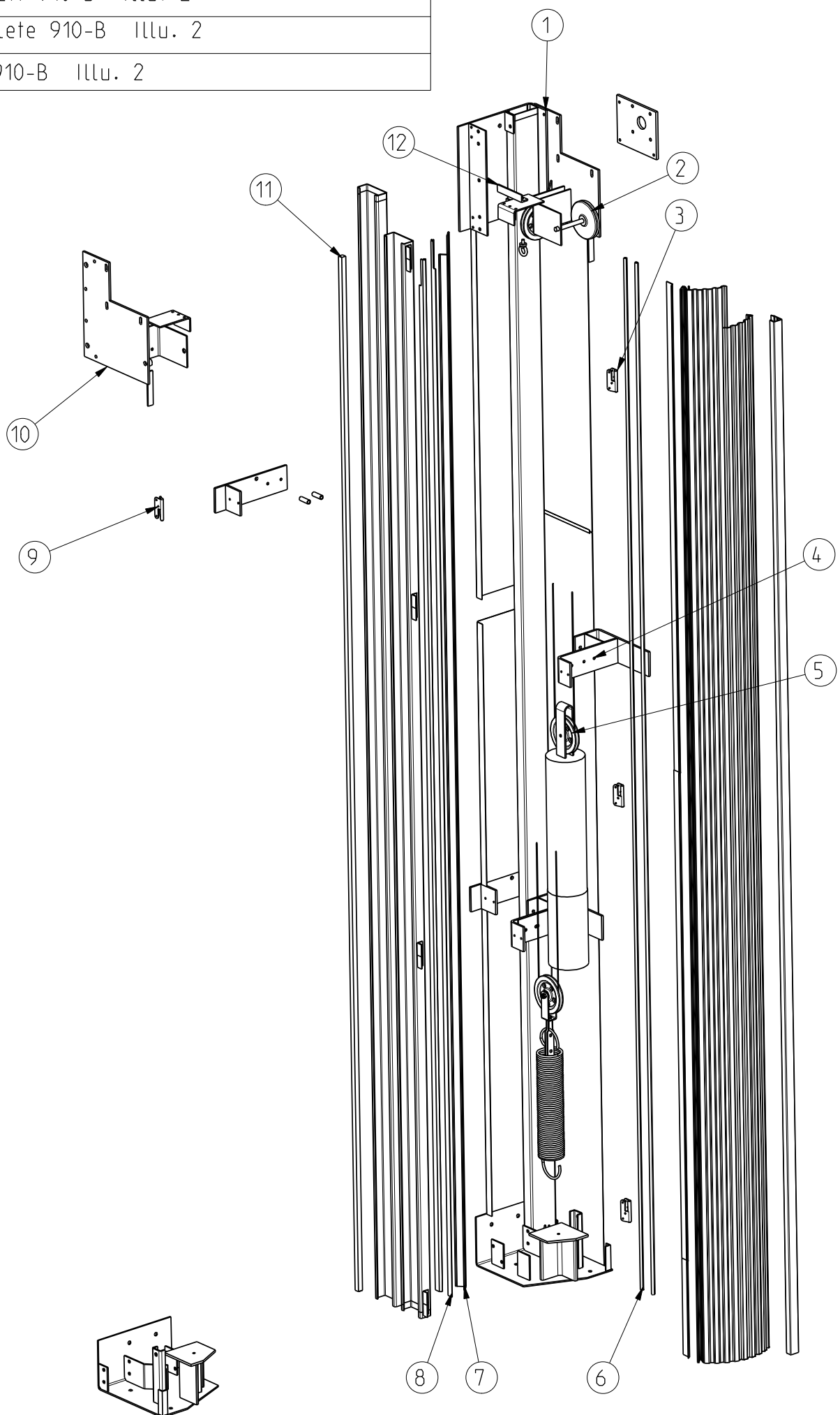
Revision 0

RR 910, Version 15			gültig ab ▲ gültig bis valid from ► valid to	Art.-Nr. Item-No	1	Lieferzeit Delivery time class	Einheit Unit	Anzahl pro Tor Quantity per door	Verschleißteil Wear part / Siltetalje
Pos.	Description	Bemerkung Note							
I	Frame	SP-120830-04_02							
	Side quadrant RH 910 B complete excl. Weight, steel cable, pulley bracket	DH ≤ 5840 DH > 5840		D3322VG016	G	C D	m	1	
	State door height								
2	Guide pulley			D90-4984-85		A	pce	2	
12	Upper counter balance bracket			D91-2578-95		A	pce	1	
4	Quadrant reinforcement 910			D91-4135-88		A	pce	2	
1	Bearing bracket rh 910			D91-4710-88		A	pce	1	
5	Cable pulley with 2 bearings complete			D4121V0021		A	pce	2	
3	Hinge, right hand			D96-4104-79		A	pce	max 5	
11	Foam seal 20x20 mm			D4402RG007	G	A	pce	1	
6	Rubber seal 10x12 d-list epdm			D4402RG009	G	A	pce	1	
7	Brush strip MINK 0,2/31 mm PA6 Curled			D4121RG026	G	A	m	1	x
8	Bracket for superseal d 45			D4721RG180	G	A	m	1	

Karm komplett 910-B Illu. 2

Frame complete 910-B Illu. 2

Seitenteil 910-B Illu. 2



Drawing number

SP-120830-04

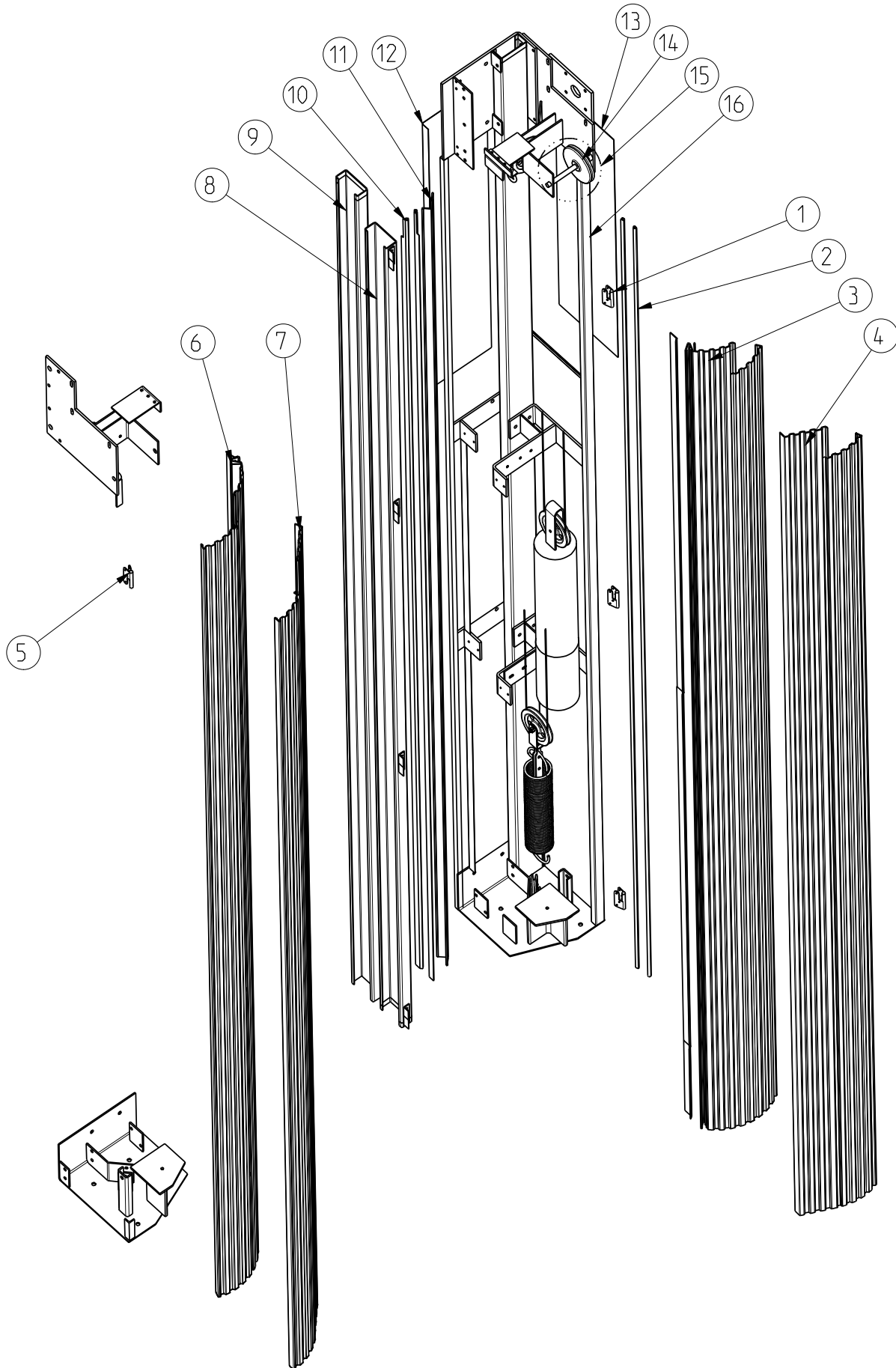
Revision 0

RR 910, Version 15			gültig ab ▲ gültig bis valid from ► valid to	Art.-Nr. Item-No	1	Lieferzeit Delivery time class	Einheit Unit	Anzahl pro Tor Quantity per door	Verschleißteil Wear part / Siltetalje
Pos.	Description	Bemerkung Note							
I	Frame	SP-120830-04_02							
	Side quadrant LH 910 B complete excl. Weight, steel cable and pulley bracket	DH ≤ 5840 DH > 5840		D3322VG017	G	C D	m	1	
	State door height								
2	Guide pulley			D90-4984-85		A	pce	2	
12	Upper counter balance bracket			D91-2578-95		A	pce	1	
4	Quadrant reinforcement 910			D91-4135-88		A	pce	2	
10	Bearing bracket lh 910			D91-4711-88		A	pce	1	
5	Cable pulley with 2 bearings complete			D4121V0021		A	pce	2	
9	Hinge, left hand			D96-4105-79		A	pce	max 5	
11	Foam seal 20x20 mm			D4402RG007	G	A	pce	1	
6	Rubber seal 10x12 d-list epdm			D4402RG009	G	A	pce	1	
7	Brush strip MINK 0,2/31 mm PA6 Curled			D4121RG026	G	A	m	1	x
8	Bracket for superseal d 45			D4721RG180	G	A	m	1	

Karm/Övrigt 910-A/B/C Illu. 3

Frame/Miscellaneous 910-A/B/C Illu. 3

Seitenteil/Unterbaugruppen 910-A/B/C Illu. 3



Drawing number

SP-120830-04

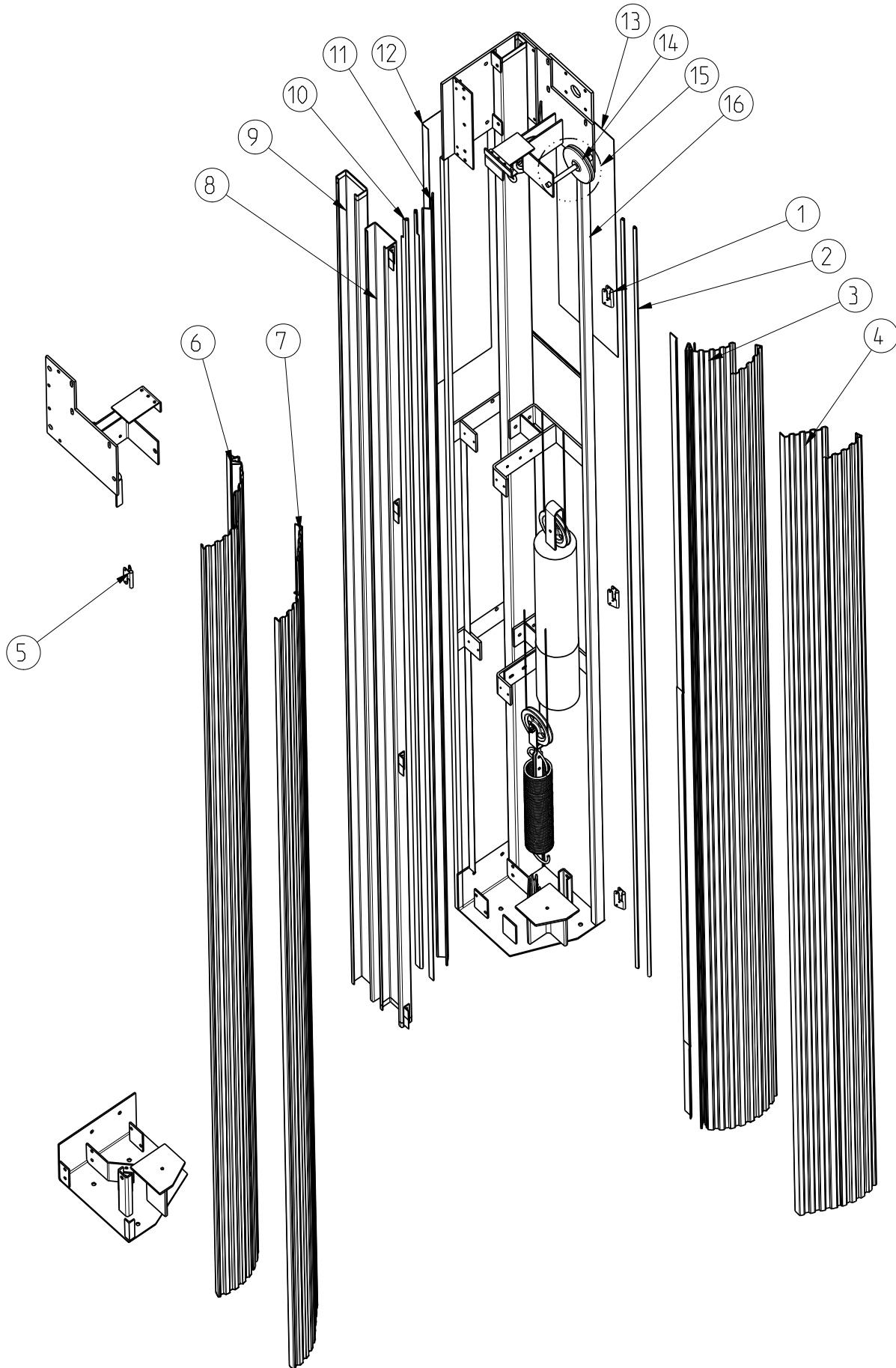
Revision 0

RR 910, Version 15			gültig ab ▲ gültig bis valid from ► valid to	Art.-Nr. Item-No	1	Lieferzeit Delivery time class	Einheit Unit	Anzahl pro Tor Quantity per door	Verschleißteil Wear part / Siltetalje
Pos.	Description	Bemerkung Note							
I	Frame	SP-120830-04_03							
7	Side quadrant door 910-A/C, LH comp. including hinges State door height			D91-4100-PC	G	B	m	1	
5	Hinge, left hand			D96-4105-79		A	pce	max 5	
2	Rubber seal 10x12 d-list epdm			D4402RG009	G	A	pce	1	
4	Side quadrant door 910 A/C, RH comp. including hinges State door height			D91-4100-PC	G	B	m	1	
1	Hinge, right hand			D96-4104-79		A	pce	max 5	
2	Rubber seal 10x12 d-list epdm			D4402RG009	G	A	pce	1	
6	Side quadrant door 910 B, LH complete including hinges State door height			D3322VG018	G	B	m	1	
5	Hinge, left hand			D96-4105-79		A	pce	max 5	
2	Rubber seal 10x12 d-list epdm			D4402RG009	G	A	pce	1	
3	Side quadrant door 910 B, RH complete including hinges State door height			D3322VG019	G	B	m	1	
1	Hinge, right hand			D96-4104-79		A	pce	max 5	
2	Rubber seal 10x12 d-list epdm			D4402RG009	G	A	pce	1	

Karm/Övrigt 910-A/B/C Illu. 3

Frame/Miscellaneous 910-A/B/C Illu. 3

Seitenteil/Unterbaugruppen 910-A/B/C Illu. 3



Drawing number

SP-120830-04

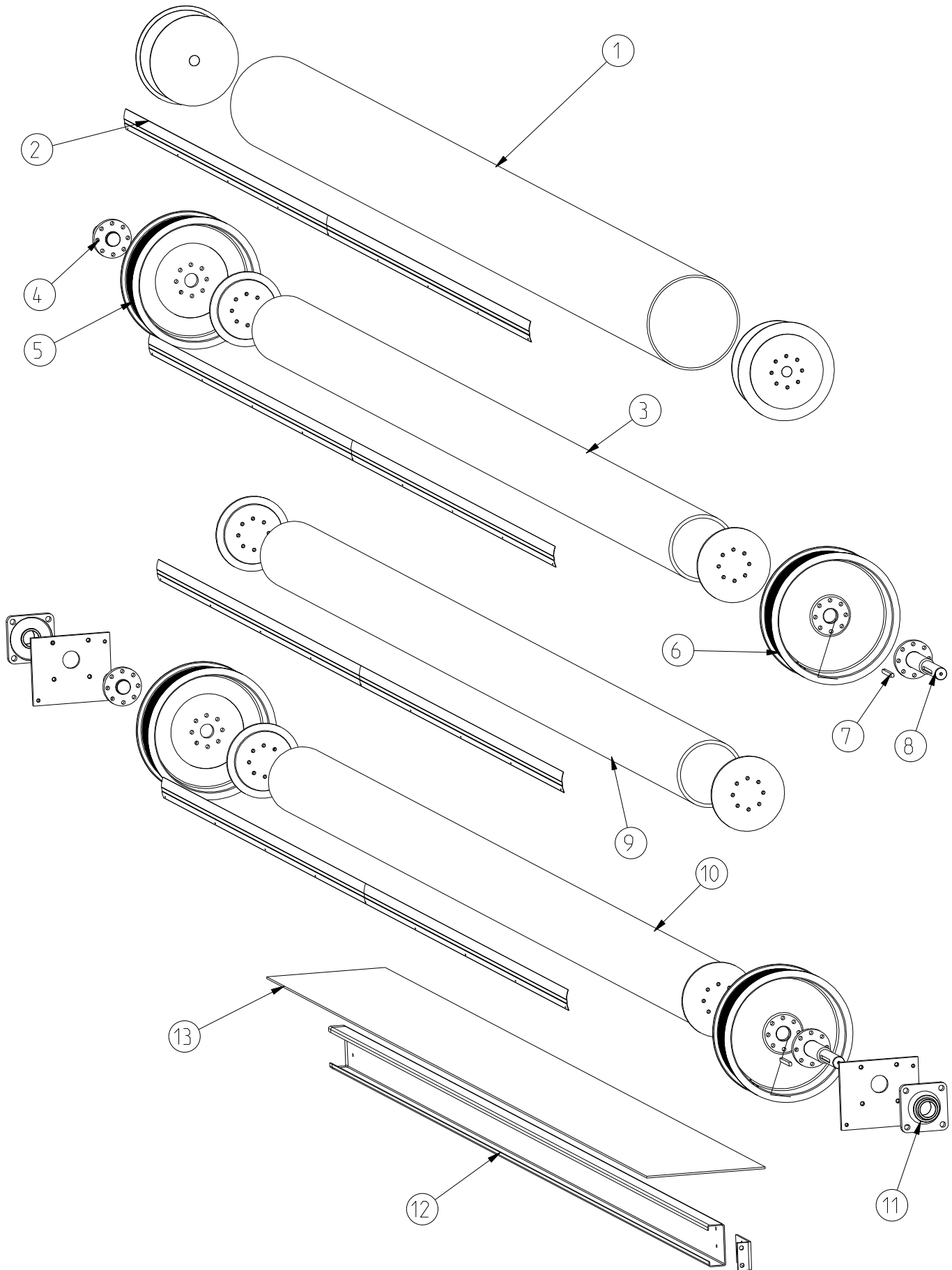
Revision 0

RR 910, Version 15			gültig ab ▲ gültig bis valid from ► valid to	Art.-Nr. Item-No	1	Lieferzeit Delivery time class	Einheit Unit	Anzahl pro Tor Quantity per door	Verschleißteil Wear part / Siltetalje
Pos.	Description	Bemerkung Note							
I	Frame	SP-120830-04_03							
16	Frame profile pre-drilled			D91-4200-PC	G	B	m	1	
9	C-profile back pre-drilled with brush sealing State door height			D91-4235-PC	G	B	m	1	
11	Brush strip MINK 0,2/31 mm PA6 Curled			D4121RG026	G	A	m	1	x
10	Bracket for superseal d 45			D4721RG180	G	A	m	1	
8	C-profile front 910 including brush strip State door height			D91-4236-PC	G	B	m	1	
11	Brush strip MINK 0,2/31 mm PA6 Curled			D4121RG026	G	A	m	1	x
10	Bracket for superseal d 45			D4721RG180	G	A	m	1	
12	Cladding back, cut State door height			D91-4250-PC	G	B	m	1	
13	Cladding side, cut State door height			D91-4260-PC	G	B	m	1	
15	Cable pulley guide system complete			D91-4980-XX		A	pce	1	
14	Guide pulley			D90-4984-85		A	pce	1	
	Photocell holder, rubber clip 10			D96-6092-97		A	pce	1	

Valsrör 910-A/B/C, valstättning

Top roll 910-A/B/C, top roll seal

Wickelwelle 910-A/B/C



Drawing number

SP-120834-04

Revision

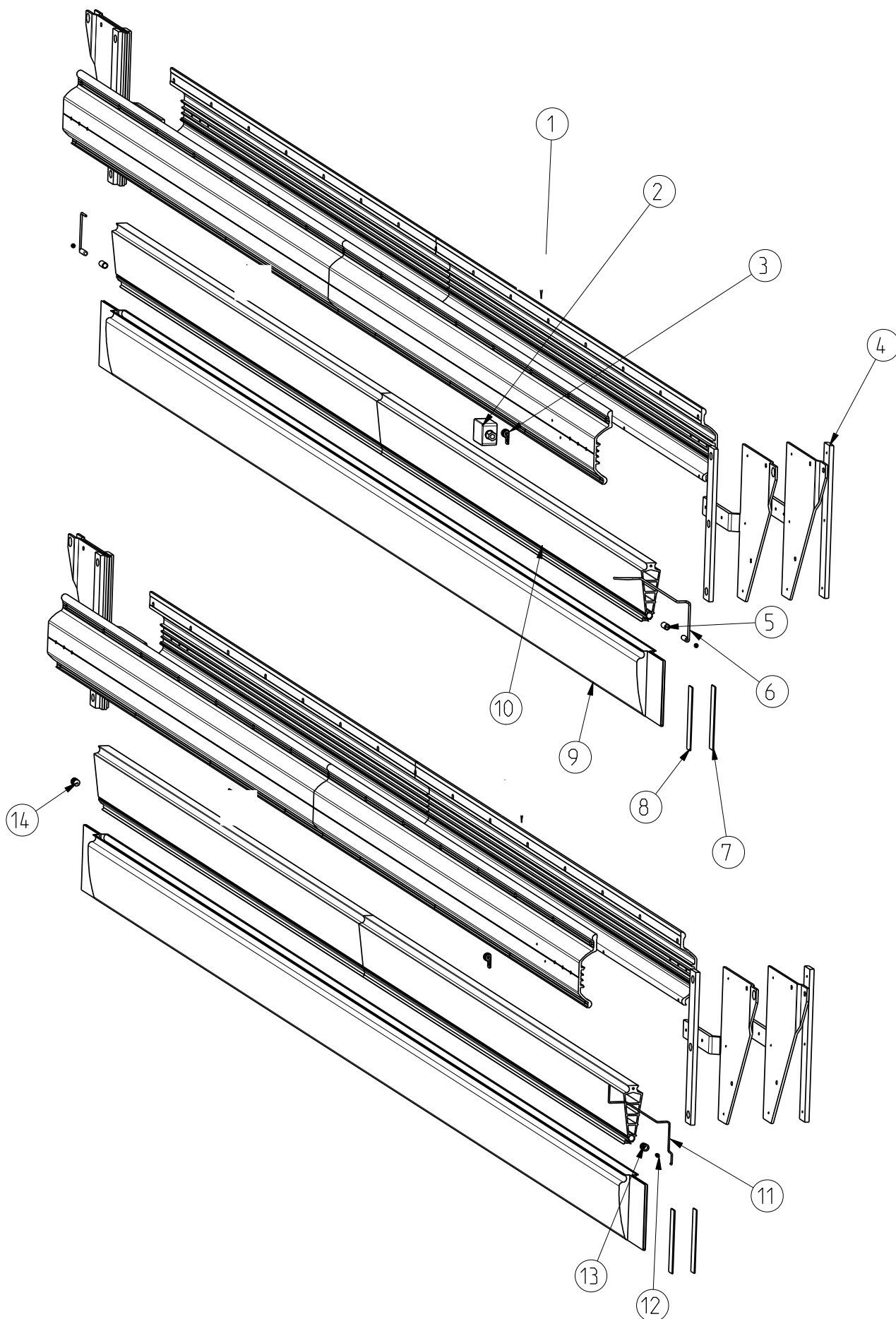
0

RR 910, Version 15			gültig ab ► gültig bis valid from ► valid to	Art.-Nr. Item-No	1	Lieferzeit Delivery time class	Einheit Unit	Anzahl pro Tor Quantity per door	Verschleißteil Wear part / Sitedetailje
Pos.	Description	Bemerkung Note							
II Top roll / Top roll seal			SP-120834-04						
1	Top roll with endboss 273 x 6,3 mm State door widht			D91-3316-PC	G	D	m	1	
2	Fixing strip for door blade on drum roll			D8540VG005	G	A	m	1	
3	Top roll complete with cable drums, axles and fixing strip State door widht and motor position Doors delivered from 2002/07		2002-07 ►	D91-3320-PC	G	D	m	1	
2	Fixing strip for door blade on drum roll			D8540VG005	G	A	m	1	
6	Cable drum 910 right			D4721V0002		A	pce	1	
5	Cable drum 910 left			D4721V0003		A	pce	1	
8	Stub axle 45 motor side 910 ACS 70			D4521V0010		A	pce	1	
4	Stub axle 45 non drive side 910			D4521V0011		A	pce	1	
7	Key 10 x 8 x 100 mm			D5409V0001		A	pce	1	
9	Top roll with endboss 910 State door widht and motor position			D91-3330-PC	G	D	m	1	
2	Fixing strip for door blade on drum roll			D8540VG005	G	A	m	1	
10	Top roll complete with cable drums, axles and fixing strip State door widht and motor position Doors delivered tom. 2002/06		► 2002-07	D3301VG002	G	D	m	1	
2	Fixing strip for door blade on drum roll			D8540VG005	G	A	m	1	
6	Cable drum 910 right			D4721V0002		A	pce	1	
5	Cable drum 910 left			D4721V0003		A	pce	1	
8	Stub axle 45 motor side 910 ACS 70			D4521V0010		A	pce	1	
4	Stub axle 45 non drive side 910			D4521V0011		A	pce	1	
7	Key 10 x 8 x 100 mm			D5409V0001		A	pce	1	
11	Bearing UCF 209 TR			D5103V0001		A	pce	2	
12	Top roll seal felt complete State door widht			D91-4411-PC	G	B	m	1	
13	Felt seal 350 mm			D5006RG002	G	A	m	1	

Bottenbalk/klämmskydd 910-A Optiskt/Pneu

Bottom beam/Safety edge 910-A Opticle/Pneu

Abschlussprofil 910-A optisch/pneumatisch



Drawing number

SP-120831-04

Revision

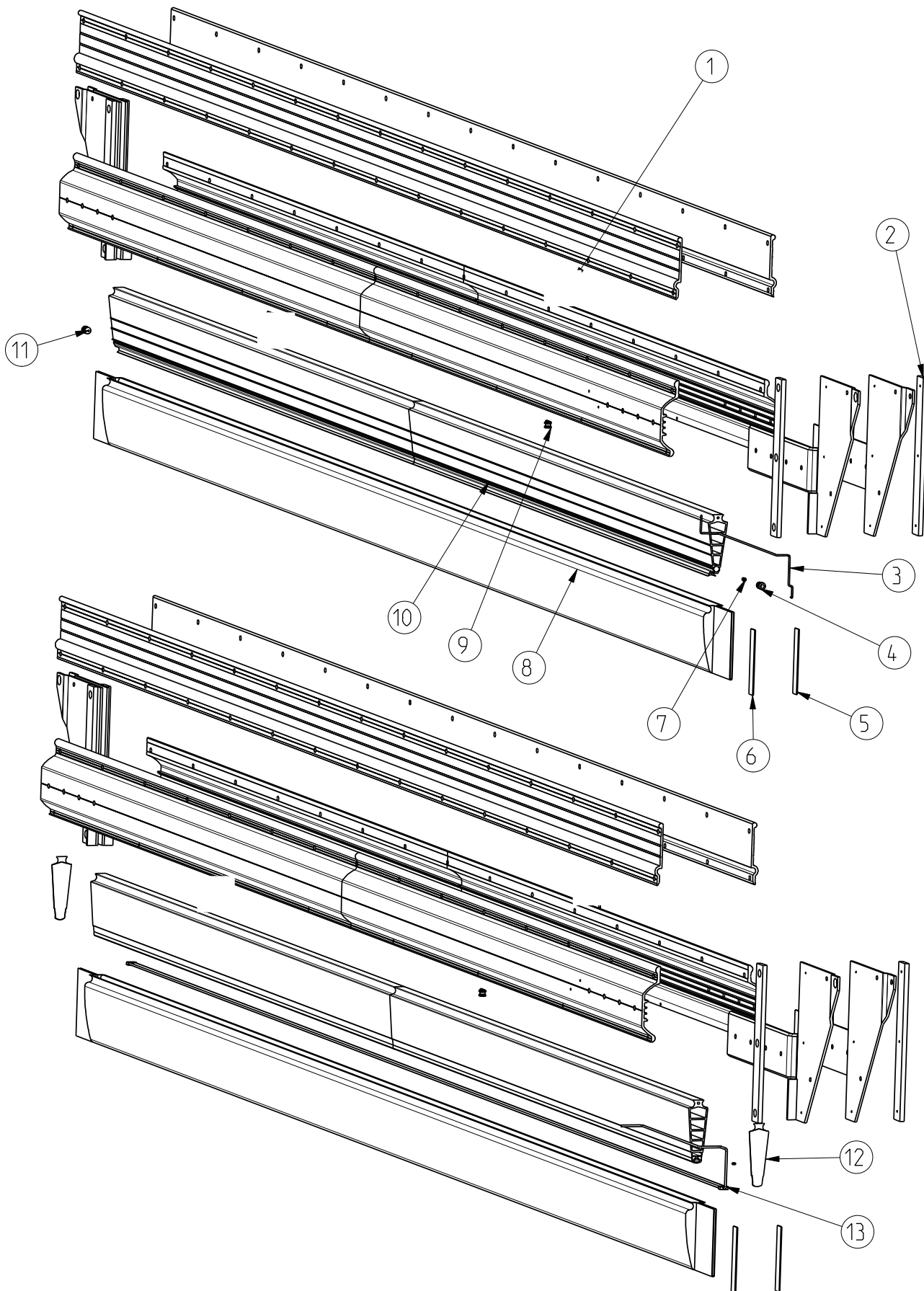
0

RR 910, Version 15			gültig ab ▲ gültig bis valid from ► valid to	Art.-Nr. Item-No	1	Lieferzeit Delivery time class	Einheit Unit	Anzahl pro Tor Quantity per door	Verschleißteil Wear part / Siltetalje
Pos.	Description	Bemerkung Note							
III	Bottom beam / Safety edge.	SP-120831-04							
	Safety edge optical 168 complete with guides State door widht			D91-1006-PC	G	B	m	1	
2	Connection box 060504 (eat)			D50-6010-87		A	pce	1	
7	Velcro tape 01 hook 25 mm			D4121RG029	G	A	m	1	
4	Wear pad 910 guides			D91-1501-88		A	pce	4	
10	Rubber profile new type			D4421RG046	G	B	m	1	
5	Pvc hose 1,5 mm			D4102RG003		A	m	1	
9	Safety edge fabric yellow/red	Tela amarilla/roja		D4050RG017	G	B	m	1	
8	Velcro tape 01 w=25			D4121RG030	G	A	m	1	
3	Bracket for coily cable			D5006R0010		A	pce	1	
6	Photocell Telco It-12a/lr-a			D96-6410-93		A	pce	1	
	Photocell holder, rubber clip 10			D96-6092-97		A	pce	1	
1						A	pce	2	
	Safety edge selftesting 168 complete with guides State door widht			D91-1007-PC	G	B	m	1	
7	Velcro tape 01 hook 25 mm			D4121RG029	G	A	m	1	
4	Wear pad 910 guides			D91-1501-88		A	pce	4	
10	Rubber profile new type			D4421RG046	G	B	m	1	
11	Plastic tube			D4102RG002	G	A	m	1	
13	End plug with hole			D96-1318-98		A	pce	1	
14	End plug without hole			D96-1319-98		A	pce	1	
12	Nipple for end plug with hole			D96-1320-98		A	pce	1	
9	Safety edge fabric yellow/red	Tela amarilla/roja		D4050RG017	G	B	m	1	
8	Velcro tape 01 w=25			D4121RG030	G	A	m	1	
3	Bracket for coily cable			D5006R0010		A	pce	1	
1						A	pce	2	

Bottenbalk/klämskydd 910-B/C Pneu/Elektrisk List

Bottom beam/Safety edge 910-B/C Pneu/Elect. List

Abschlussprofil 910-B/C pneumatisk/elektrisk



Drawing number

SP-120832-04

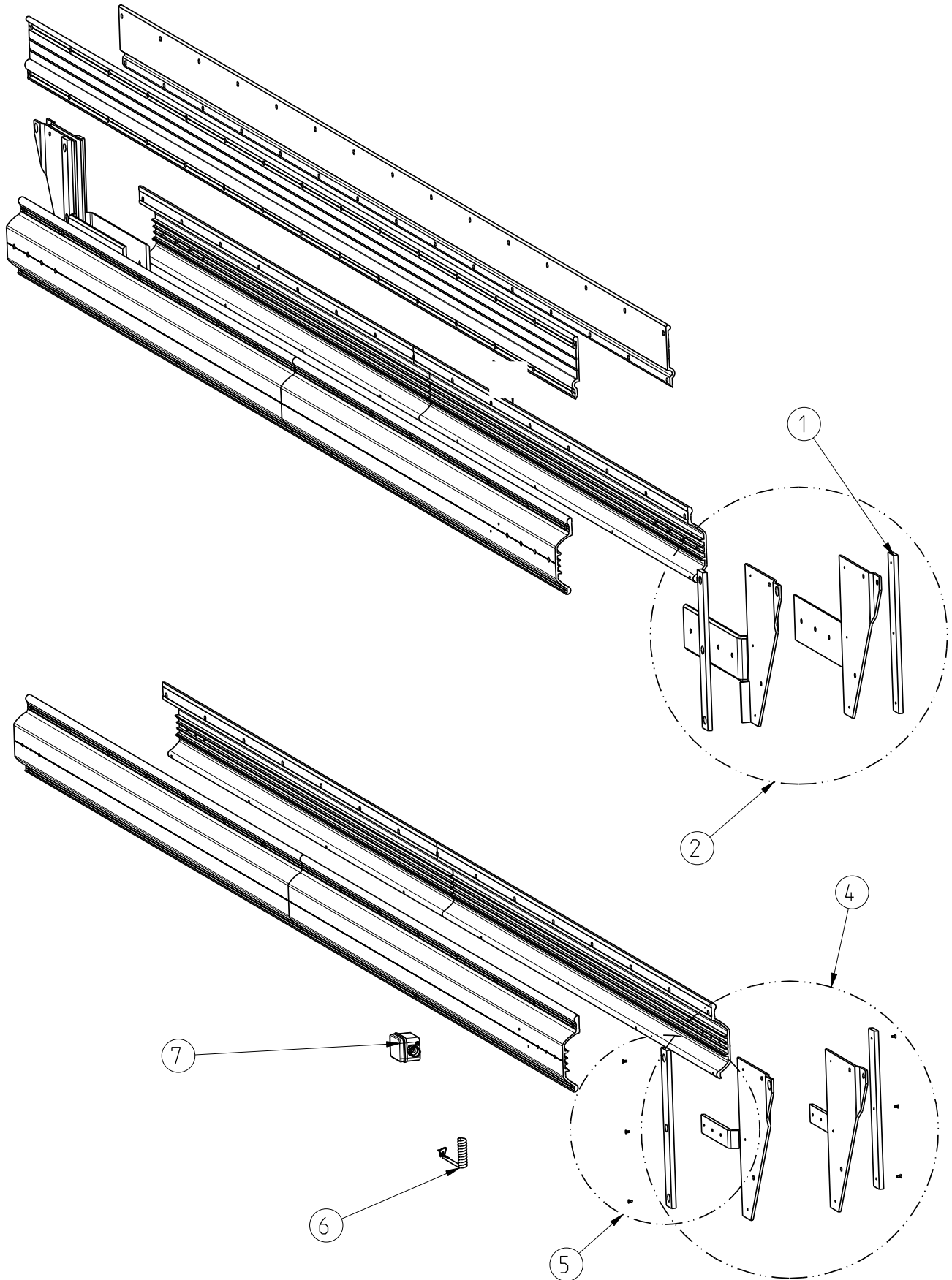
Revision 0

RR 910, Version 15			gültig ab ▲ gültig bis valid from ► valid to	Art.-Nr. Item-No	1	Lieferzeit Delivery time class	Einheit Unit	Anzahl pro Tor Quantity per door	Verschleißteil Wear part / Sitteteilje
Pos.	Description	Bemerkung Note							
III	Bottom beam / Safety edge.	SP-120832-04							
	Safety edge 910/954 reinforced, self-testing 168 complete with guides State door widht			D91-1008-PC	G	B	m	1	
5	Velcro tape 01 hook 25 mm			D4121RG029	G	A	m	2	
2	Wear pad 910 guides			D91-1501-88		A	pce	4	
10	Rubber profile new type			D4421RG046	G	B	m	1	
3	Plastic tube			D4102RG002	G	A	m	1	
4	End plug with hole			D96-1318-98		A	pce	1	
11	End plug without hole			D96-1319-98		A	pce	1	
7	Nipple for end plug with hole			D96-1320-98		A	pce	1	
8	Safety edge fabric yellow/red	Tela amarilla/roja		D4050RG017	G	A	m	1	
6	Velcro tape 01 w=25			D4121RG030	G	A	m	2	
9	Bracket for coily cable			D5006R0010		A	pce	1	
1						A	pce	2	
	Safety edge 910/954 reinforced 168 complete with guides State door widht and motor position			D91-1050-PC	G	B	m	1	
5	Velcro tape 01 hook 25 mm			D4121RG029	G	A	m	2	
2	Wear pad 910 guides			D91-1501-88		A	pce	4	
8	Safety edge fabric yellow/red	Tela amarilla/roja		D4050RG017	G	B	m	1	
6	Velcro tape 01 w=25			D4121RG030	G	A	m	2	
9	Bracket for coily cable			D5006R0010		A	pce	1	
1						A	pce	2	
	Rubber profile with integrated Safety edge Retrofit Safety edge Mayser/Bircher to ASO			D4421RG036 D8550RG068	B B	G G	m m	1 1	
	Safety edge fabric with velcro tape State colour and daylight width			D4004VG001	G	B	m	1	
5	Velcro tape 01 hook 25 mm			D4121RG029	G	A	m	2	
8	Safety edge fabric yellow/red	Tela amarilla/roja		D4050RG017	G	B	m	1	
6	Velcro tape 01 w=25			D4121RG030	G	A	m	2	

Bottenbalk/Komponenter 910-A/B/C

Bottom beam/Components 910-A/B/C

Abschlussprofile/Unterbaugruppen 910-A/B/C



Drawing number

SP-120833-04

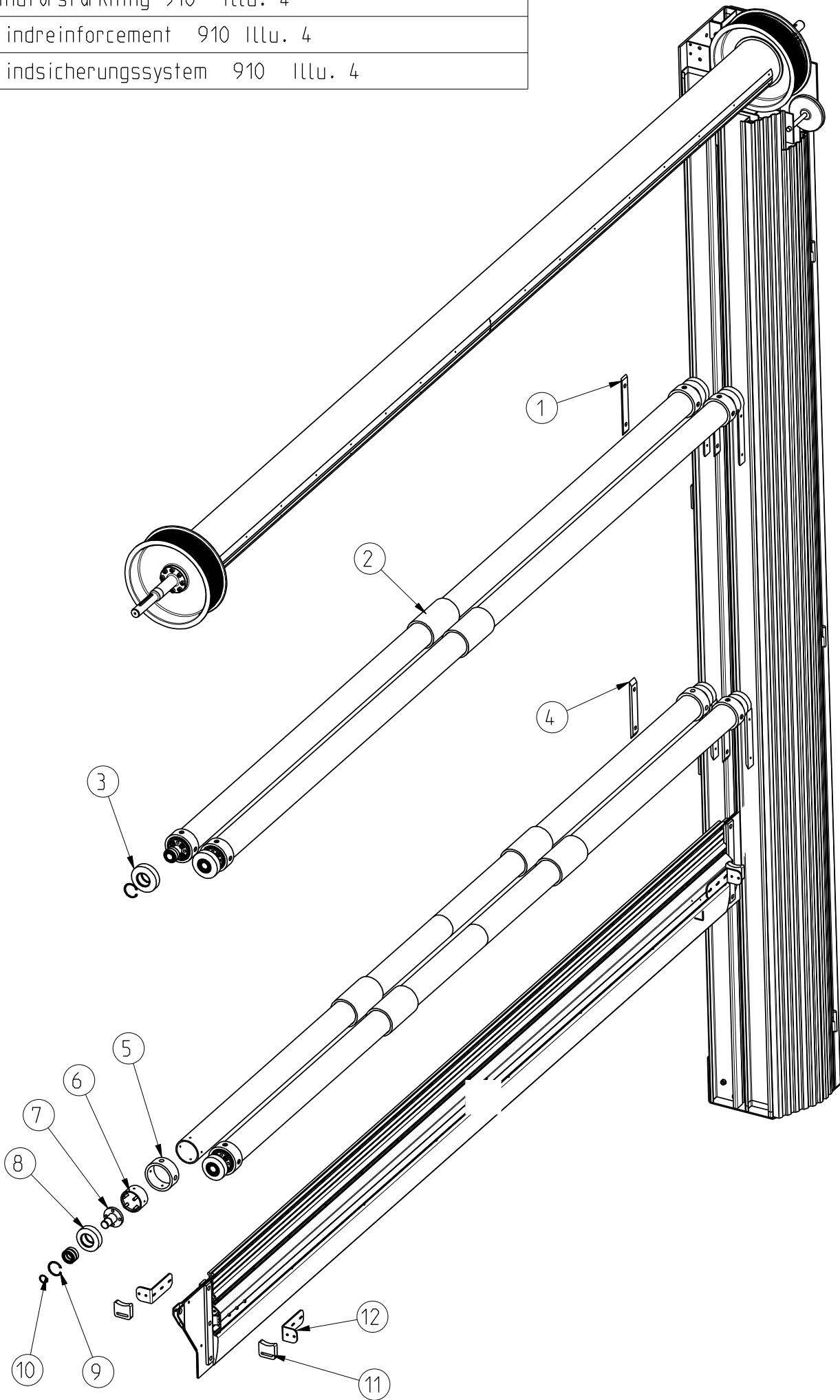
Revision 0

RR 910, Version 15			gültig ab ▲ gültig bis valid from ► valid to	Art.-Nr. Item-No	1	Lieferzeit Delivery time class	Einheit Unit	Anzahl pro Tor Quantity per door	Verschleißteil Wear part / Siltetalje
Pos.	Description	Bemerkung Note							
III	Bottom beam / Safety edge.	SP-120833-04							
	Bottom beam 168 reinforced, predrilled for guides, door blade and rubber prof. State day light widht			D91-1112-PC	G	B	m	1	
						A	pce	2	
5	Plastic wear pad including screws For 910 door			D91-1505-XX		A	pce	1	x
1	Wear pad 910 guides			D91-1501-88		A	pce	4	
4	Guides with wear pads complete set (1 set = 2 LH + 2 RH guides) For 910 doors			D91-1520-XX		A	pce	1	x
1	Wear pad 910 guides			D91-1501-88		A	pce	4	
2	Guides reinforced with wear pads Complete set (1 set = 2 LH + 2 RH guides) For 910/954 doors			D91-1525-XX		A	pce	1	x
1	Wear pad 910 guides			D91-1501-88		A	pce	4	
	Pressure switch, pneumatic safety edge								
7	Pressure switch DWGK11DOE (mechanical)			D96-6000-79		A	pce	1	
	Coily cable, safety edge								
6	Coily cable 4 x 0,75 mm2 (Tapesw./Opticle)			D96-6101-82		A	pce	1	x
6	Coily cable 3 x 0,75 mm2 (Pneumatic)			D96-6105-96		A	pce	1	x

Vindförstärkning 910 Illu. 4

Windreinforcement 910 Illu. 4

Windsicherungssystem 910 Illu. 4



Drawing number

SP-120830-04

Revision

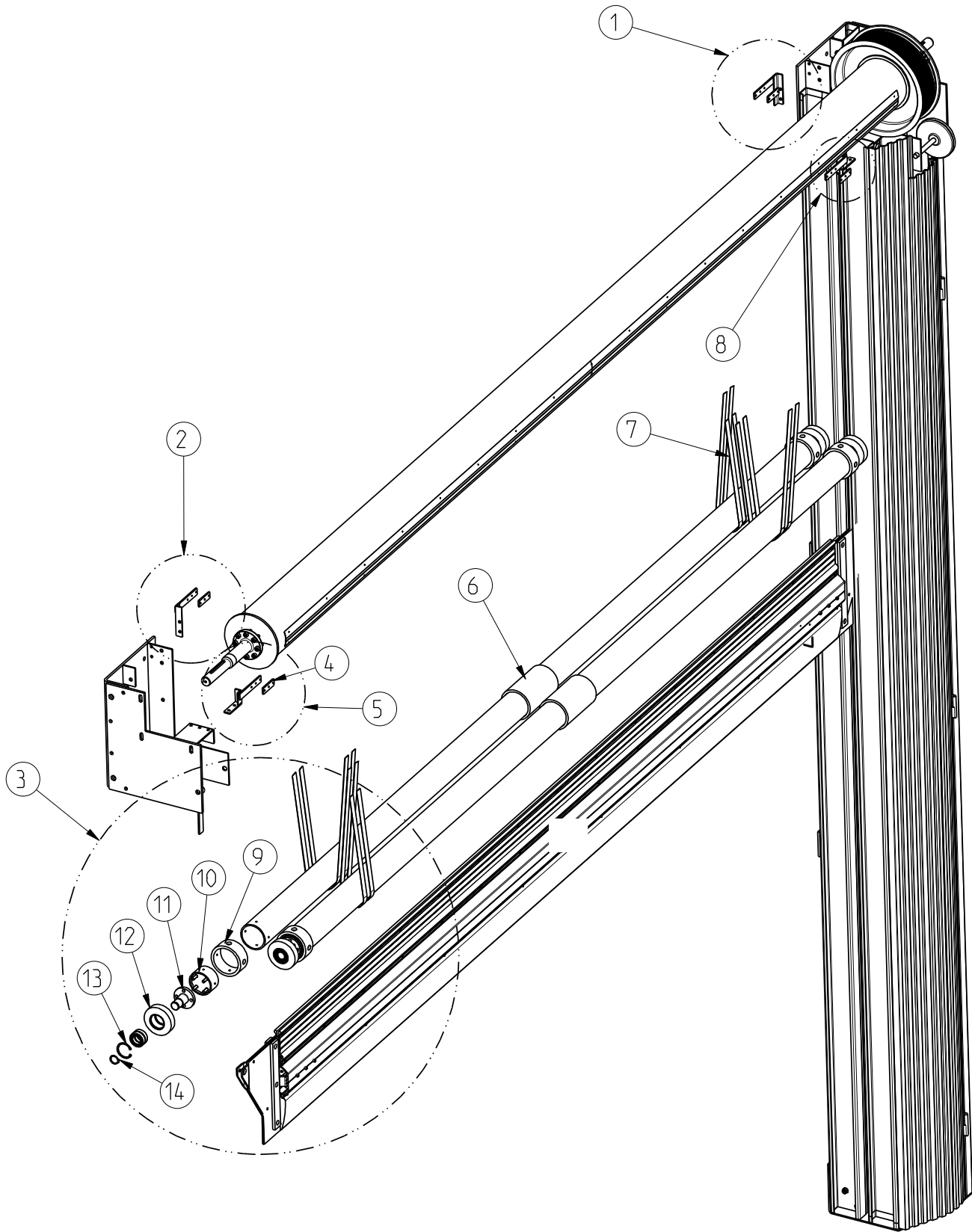
0

RR 910, Version 15			gültig ab ▲ gültig bis valid from ► valid to	Art.-Nr. Item-No	1	Lieferzeit Delivery time class	Einheit Unit	Anzahl pro Tor Quantity per door	Verschleißteil Wear part / Siltetalje
Pos.	Description	Bemerkung Note							
IV	Windreinforcement	SP-120830-04_04							
	Windbar with hooks			D91-5200-PC		B	m	1	
	Back or front side complete								
	State door widht								
6	End plug steel for windbar			D91-5203-89		A	pce	2	
7	Axle shaft windbar 910			D91-5204-89		A	pce	2	
8	Wheel diam 98			D91-5206-89		A	pce	2	
11	End piece for catcher arm 910			D4421V0008		A	pce	2	
12	Catcher arm 910			D4521V0137		A	pce	2	
5	Windbar spacer 910			D91-5210-89		A	pce	2	
4	Distance block t=10			D91-5214-89		A	pce	4	
2	Damper for windbar			D91-5220-93		A	pce	2	
10	Circlip sga diam 30			D5412R0055		A	pce	2	
9	Circlip sgh diam 55			D96-5232-89		A	pce	2	
	Windbar with endplugs diam. 98 mm			D91-5203-PC	G	B	m	1	
	State door widht								
6	End plug steel for windbar			D91-5203-89		A	pce	2	
7	Axle shaft windbar 910			D91-5204-89		A	pce	2	
8	Wheel diam 98			D91-5206-89		A	pce	2	
5	Windbar spacer 910			D91-5210-89		A	pce	2	
4	Distance block t=10			D91-5214-89		A	pce	4	
2	Damper for windbar			D91-5220-93		A	pce	2	
10	Circlip sga diam 30			D5412R0055		A	pce	2	
9	Circlip sgh diam 55			D96-5232-89		A	pce	2	
	Windbar with endplugs diam. 110 mm			D91-5204-PC		B	m	1	
	State door widht								
6	End plug steel for windbar			D91-5203-89		A	pce	2	
7	Axle shaft windbar 910			D91-5204-89		A	pce	2	
3	Wheel diam 110			D91-5205-89		A	pce	2	
5	Windbar spacer 910			D91-5210-89		A	pce	2	
1	Distance block t=5			D91-5215-89		A	pce	4	
2	Damper for windbar			D91-5220-93		A	pce	2	
10	Circlip sga diam 30			D5412R0055		A	pce	2	
9	Circlip sgh diam 55			D96-5232-89		A	pce	2	
	Windbar diam. 100 x 5 mm			D91-5207-PC	G	B	m	1	
	Cut length, state door widht								
2	Damper for windbar			D91-5220-93		A	pce	2	

Vindförstärkning 910 Illu. 5

Windreinforcement 910 Illu. 5

Windsicherungssystem 910 Illu. 5



Drawing number

SP-120830-04

Revision

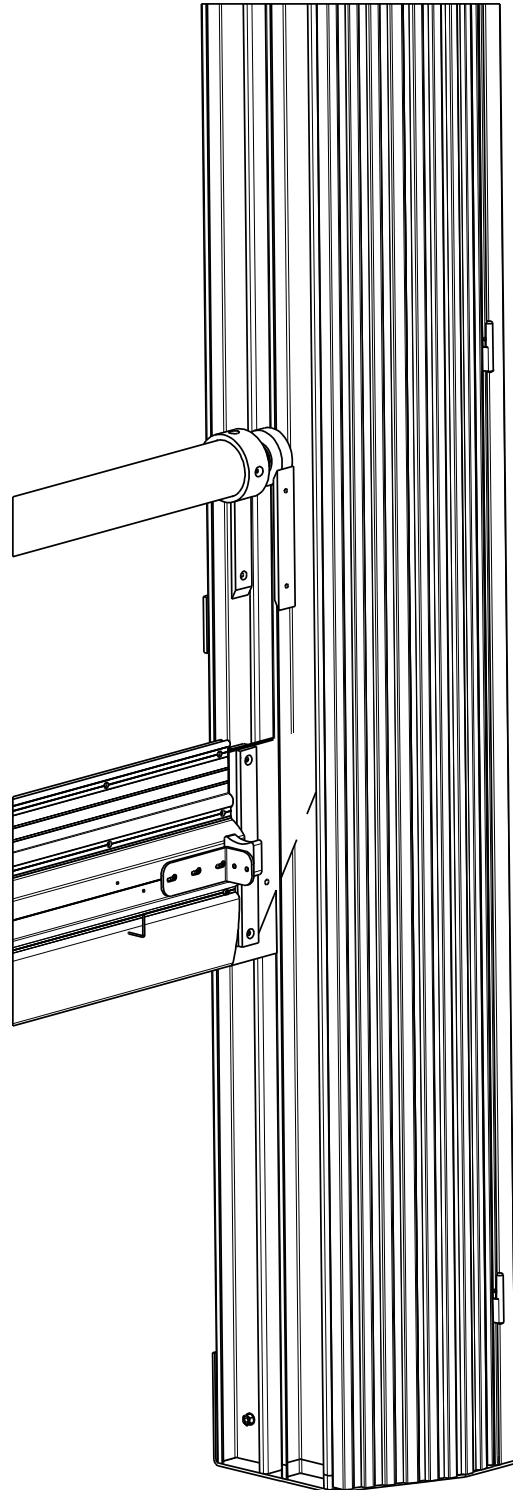
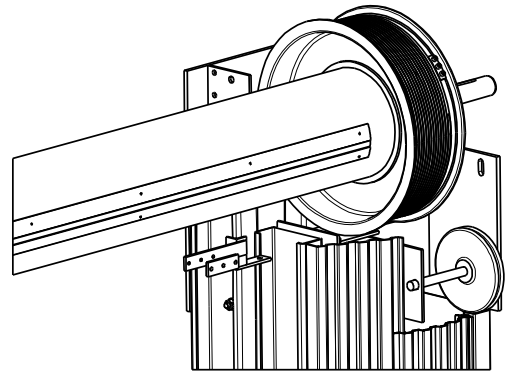
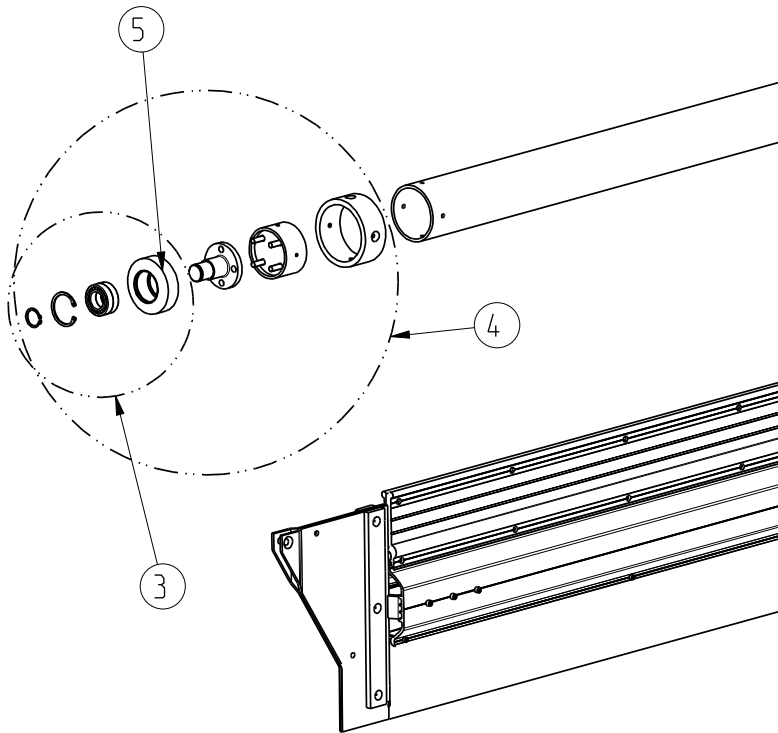
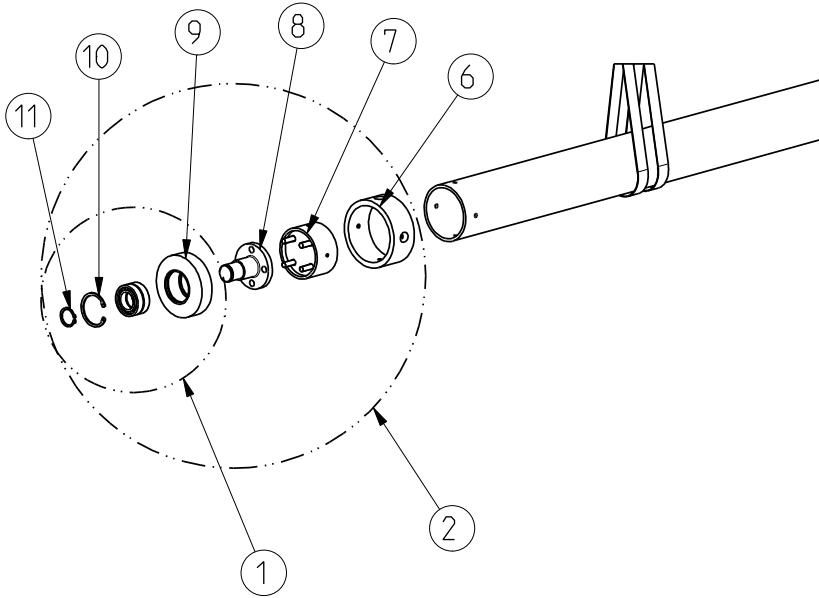
0

RR 910, Version 15			gültig ab ▲ gültig bis valid from ► valid to	Art.-Nr. Item-No	1	Lieferzeit Delivery time class	Einheit Unit	Anzahl pro Tor Quantity per door	Verschleißteil Wear part / Siltetalje
Pos.	Description	Bemerkung Note							
IV Windreinforcement			SP-120830-04_05						
1,2,3	Windbar with tape, back side State door width and height			D91-5210-PC	G	B	m	1	
4	Clamp			D65-5252-79		A	pce	2	
10	End plug steel for windbar			D91-5203-89		A	pce	2	
11	Axle shaft windbar 910			D91-5204-89		A	pce	2	
12	Wheel diam 98			D91-5206-89		A	pce	2	
9	Windbar spacer 910			D91-5210-89		A	pce	2	
6	Damper for windbar			D91-5220-93		A	pce	1	
14	Circlip sga diam 30			D5412R0055		A	pce	2	
13	Circlip sgh diam 55			D96-5232-89		A	pce	2	
7	Windbar tape, cut to length			D5105RG005	G	A	m	4	x
8	Tape bracket front right with clamp			D91-5260-XX		A	pce	1	
4	Clamp			D65-5252-79		A	pce	1	
5	Tape bracket front left with clamp			D91-5261-XX		A	pce	1	
4	Clamp			D65-5252-79		A	pce	1	
1	Tape bracket back right with clamp			D91-5265-XX		A	pce	1	
4	Clamp			D65-5252-79		A	pce	1	
2	Tape bracket back left with clamp			D91-5266-XX		A	pce	1	
4	Clamp			D65-5252-79		A	pce	1	
3,4,8	Windbar with tape, front side State door width and height			D91-5310-PC	G	B	m	1	
4	Clamp			D65-5252-79		A	pce	2	
10	End plug steel for windbar			D91-5203-89		A	pce	2	
11	Axle shaft windbar 910			D91-5204-89		A	pce	2	
12	Wheel diam 98			D91-5206-89		A	pce	2	
9	Windbar spacer 910			D91-5210-89		A	pce	2	
6	Damper for windbar			D91-5220-93		A	pce	1	
14	Circlip sga diam 30			D5412R0055		A	pce	2	
13	Circlip sgh diam 55			D96-5232-89		A	pce	2	
7	Windbar tape, cut to length			D5105RG005	G	A	m	4	x

Vindförstärkning 910 Illu. 6

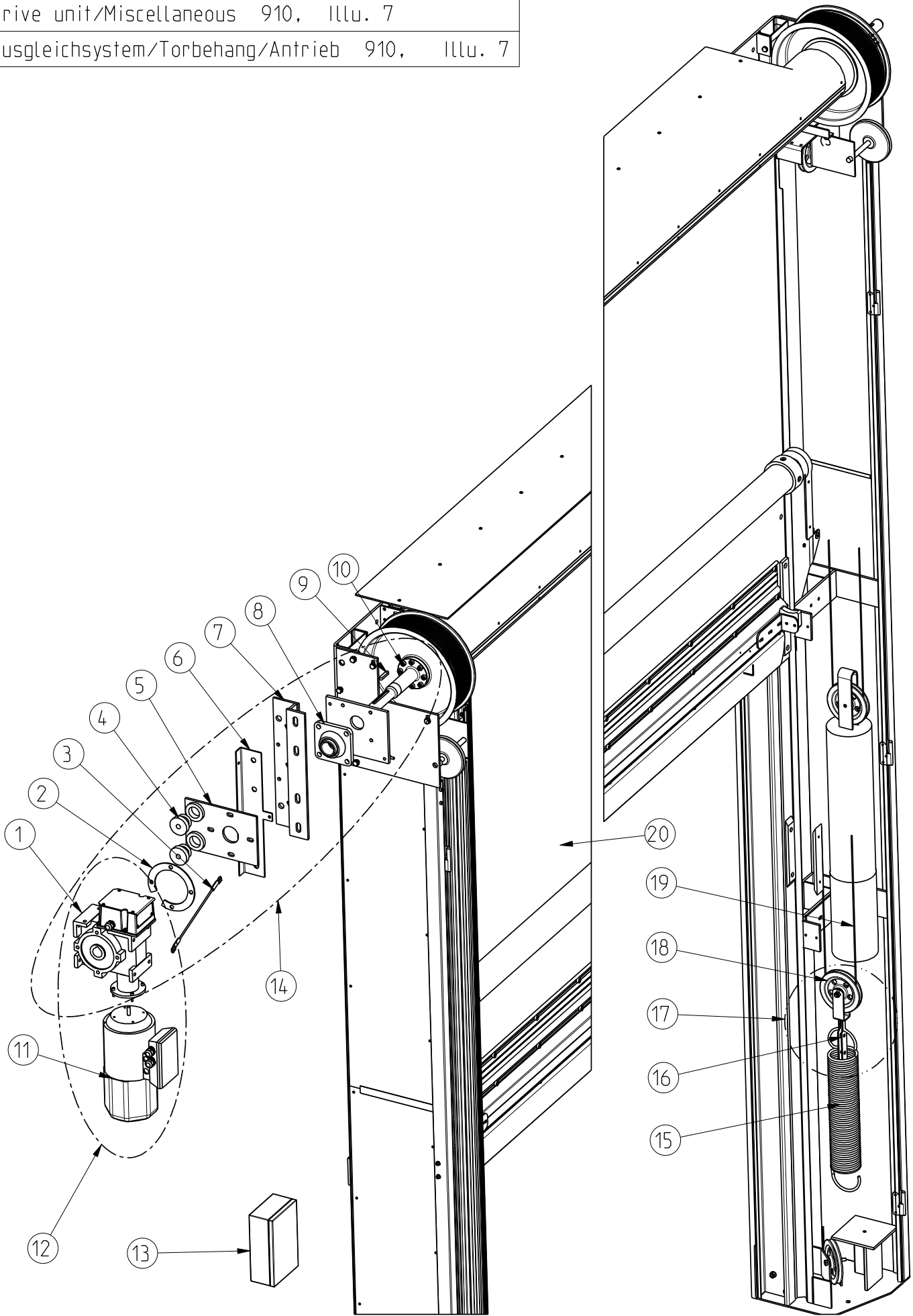
Windreinforcement 910 Illu. 6

Windsicherungssystem 910 Illu. 6



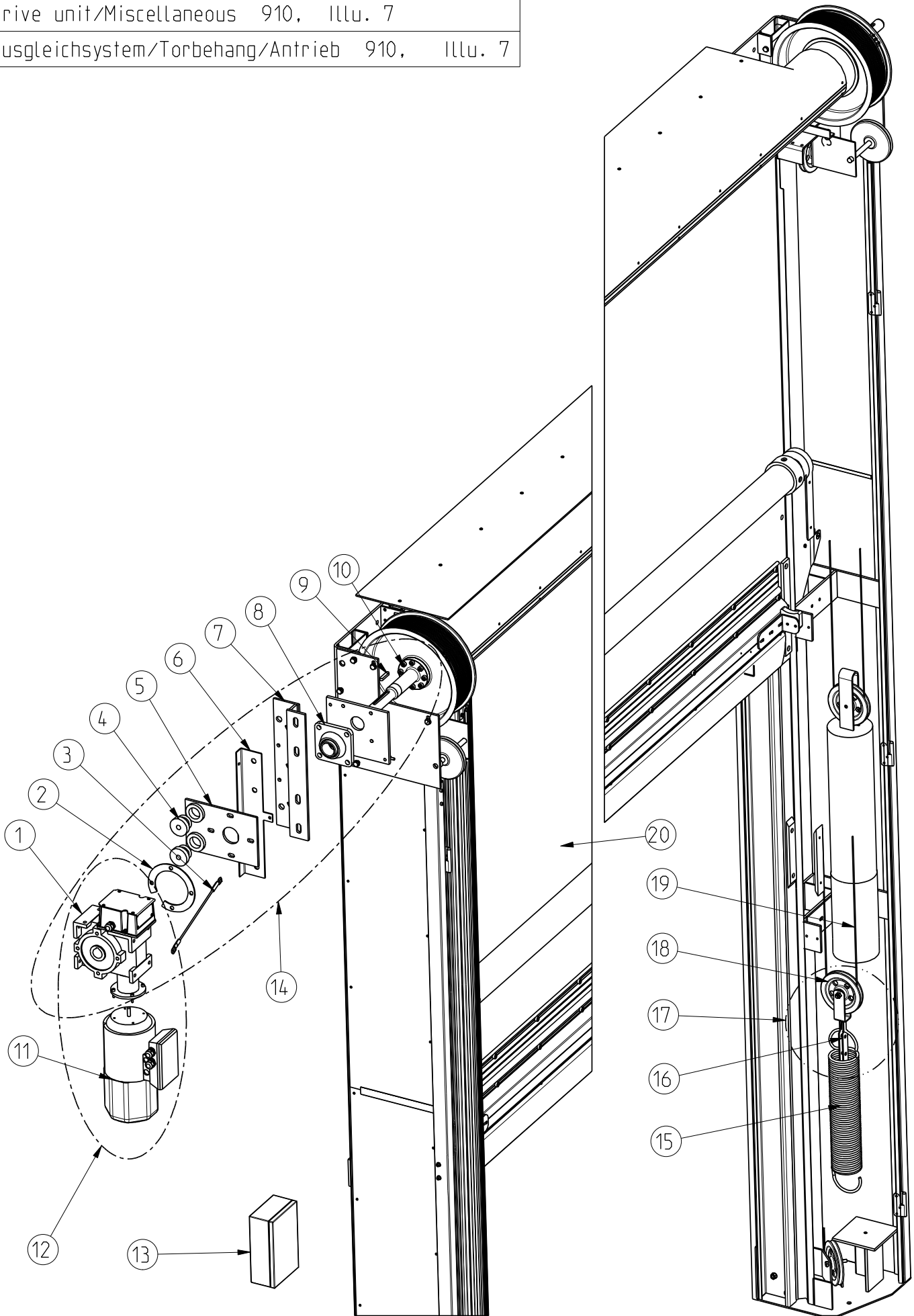
RR 910, Version 15			gültig ab ▲ gültig bis valid from ► valid to	Art.-Nr. Item-No	1	Lieferzeit Delivery time class	Einheit Unit	Anzahl pro Tor Quantity per door	Verschleißteil Wear part / Siltetalje
Pos.	Description	Bemerkung Note							
IV	Windreinforcement	SP-120830-04_06							
3	Wheel for windreinforce. 910, diam. 98 with bearings and locking rings For lower tube with hooks or windreinforcement with tapes			D3341V0001		A	pce	2	
5	Wheel diam 98			D91-5206-89		A	pce	1	
11	Circlip sga diam 30			D5412R0055		A	pce	1	
10	Circlip sgh diam 55			D96-5232-89		A	pce	1	
1	Wheel for windreinforce. 910, diam. 110 with bearings and lock rings For upper tube with hooks			D3341V0002		A	pce	2	
9	Wheel diam 110			D91-5205-89		A	pce	1	
11	Circlip sga diam 30			D5412R0055		A	pce	1	
10	Circlip sgh diam 55			D96-5232-89		A	pce	1	
4	Endpiece 910, diam. 98 complete For lower tube with hooks or windreinforcement with tapes			D3341V0003		A	pce	2	
7	End plug steel for windbar			D91-5203-89		A	pce	1	
8	Axle shaft windbar 910			D91-5204-89		A	pce	1	
5	Wheel diam 98			D91-5206-89		A	pce	1	
6	Windbar spacer 910			D91-5210-89		A	pce	1	
11	Circlip sga diam 30			D5412R0055		A	pce	1	
10	Circlip sgh diam 55			D96-5232-89		A	pce	1	
2	Endpiece 910, diam. 110 complete For upper tube with hooks			D3341V0004		A	pce	2	
7	End plug steel for windbar			D91-5203-89		A	pce	1	
8	Axle shaft windbar 910			D91-5204-89		A	pce	1	
9	Wheel diam 110			D91-5205-89		A	pce	1	
6	Windbar spacer 910			D91-5210-89		A	pce	1	
11	Circlip sga diam 30			D5412R0055		A	pce	1	
10	Circlip sgh diam 55			D96-5232-89		A	pce	1	

Drivenhet/Övrigt	910, Illu. 7
Drive unit/Miscellaneous	910, Illu. 7
Ausgleichssystem/Torbehang/Antrieb	910, Illu. 7



RR 910, Version 15			gültig ab ▲ gültig bis valid from ► valid to	Art.-Nr. Item-No	1	Lieferzeit Delivery time class	Einheit Unit	Anzahl pro Tor Quantity per door	Verschleißteil Wear part / Siltetalje
Pos.	Description	Bemerkung Note							
V	Drive unit	SP-120830-04_07							
14	Rebuilding kit gear box Nomadrive Upgrade to gear box size 75			D91-9010-XX		B	pce	1	
1	Swedrive wormgear fo75co E-prom 910, 2001-03-28-2			D03-9010-25 D08-8788-05		A A	pce pce	1 1	
6	Locking bracket FO75			D4521V0127		A	pce	1	
2	Friction plate FO75			D4521V0128		A	pce	1	
10	Stub axle FO75			D91-3624-99		A	pce	1	
9	Key 10 x 50 mm			D91-3667-95		A	pce	1	
8	Bearing pf 40 fm			D91-4718-95		A	pce	1	
5	Torque arm, Nomadrive FO75			D91-4817-99		A	pce	1	
7	Motor bracket, Nomadrive FO75			D91-4827-99		A	pce	1	
3	Safety wire			D96-4819-99		A	pce	1	
4	Rubber bush 539 191 shore 75			D96-4832-98		A	pce	2	
12	Drive unit Nomadrive 1,5 Kw Swedrive Complete for 910 door			D91-9315-XX		A	pce	1	
	Hub for puls transducer disc			D03-0052-25		A	pce	1	
	Puls transducer board 88-22			D03-0067-25		A	pce	1	
	Cover, upper, cast housing			D03-0070-25		A	pce	1	
	Key 4x4x12, brake			D03-0084-25		A	pce	1	
	Gasket inspectionplate			D03-0101-25		A	pce	1	
	Gasket upper cover			D03-0102-25		A	pce	1	
	Gasket gear			D03-0103-25		A	pce	1	
	Inspectionplate			D03-0104-25		A	pce	1	
	Plastic cover: ikpt 4042 grey			D03-0125-25		A	pce	1	
11	Motor 1,50 kw 220-240v with brake			D03-0703-25		A	pce	1	
1	Swedrive wormgear fo75co			D03-9010-25		A	pce	1	
	Cable fitting, skintop ST-M20			D97-8020-03		A	pce	4	
	Coupling, bowex j19 19/19			D03-0097-25		A	pce	1	
	Disconnection handle 50 mm			D00-9311-25		A	pce	1	
	Microswitch Burges v4nt7y2 Nomadrive			D03-0124-25		A	pce	1	

Drivenhet/Övrigt	910, Illu. 7
Drive unit/Miscellaneous	910, Illu. 7
Ausgleichssystem/Torbehang/Antrieb	910, Illu. 7



RR 910, Version 15			gültig ab ▲ gültig bis valid from ► valid to	Art.-Nr. Item-No	1	Lieferzeit Delivery time class	Einheit Unit	Anzahl pro Tor Quantity per door	Verschleißteil Wear part / Sitteteilje
Pos.	Description	Bemerkung Note							
VI Miscellaneous			SP-120830-04_07						
	Springs, balancing system model B								
15	Spring L= 1330 100/10			D4802V0003		A	pce	2	
	Roller bearings for top roll								
8	Bearing diam. 45 mm UCF 209 TR			D5103V0001		A	pce	2	
	Steel cable, balancingsystem								
19	Steel cable 28 m, with eye (kaus)			D5105V0011		A	pce	2	x
17	Spring tensioner with cable pulley cpl 910 model B			D96-2400-XX		A	pce	2	
18	Cable pulley with 2 bearings complete			D4121V0021		A	pce	1	
16	Spring tensioner, 5 holes			D96-2410-80		A	pce	1	
20	Doorblade complete 910			D3401VG001	G	A, B C	pce	1	
			Base price						
			upcharge						
			upcharge						
	Emergency lever ACS70			D8170RG041	G	B	pce	1	

Legend	
1	
S	No automatic price calculation
Delivery time	
A	Within 24 hours
B	2-3 Workdays
C	5-8 Workdays
D	10-14 Workdays
Wear parts	
x	Standard wear with time/use

