

Spare part list
RR 660

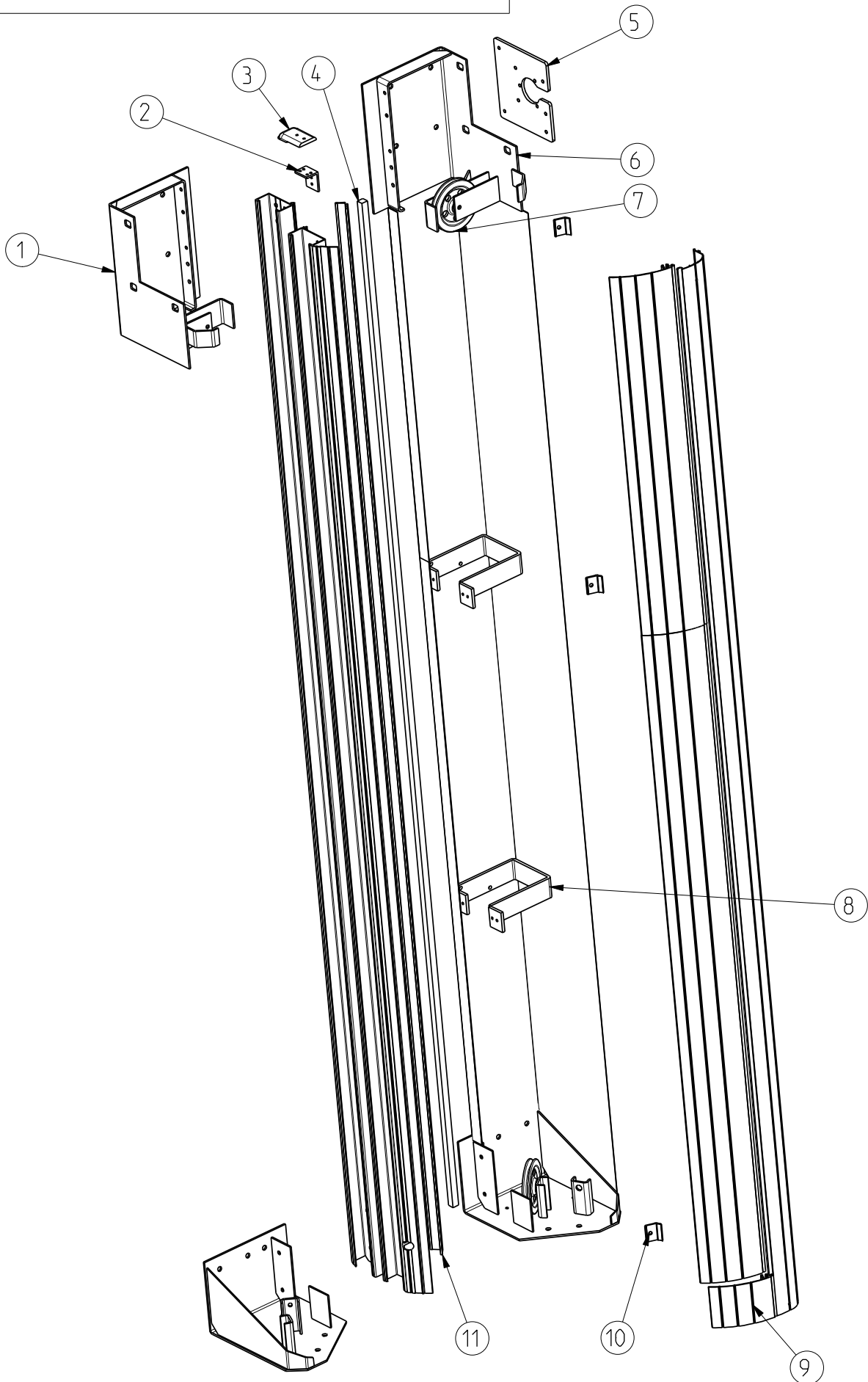


2013-05 Index 00

Karm tom. 08.1994 illustration 1.

Frame to 08.1994 illustration 1.

Seitenteil vor 08.1994 illustration 1.



Drawing number

SP-120641-05

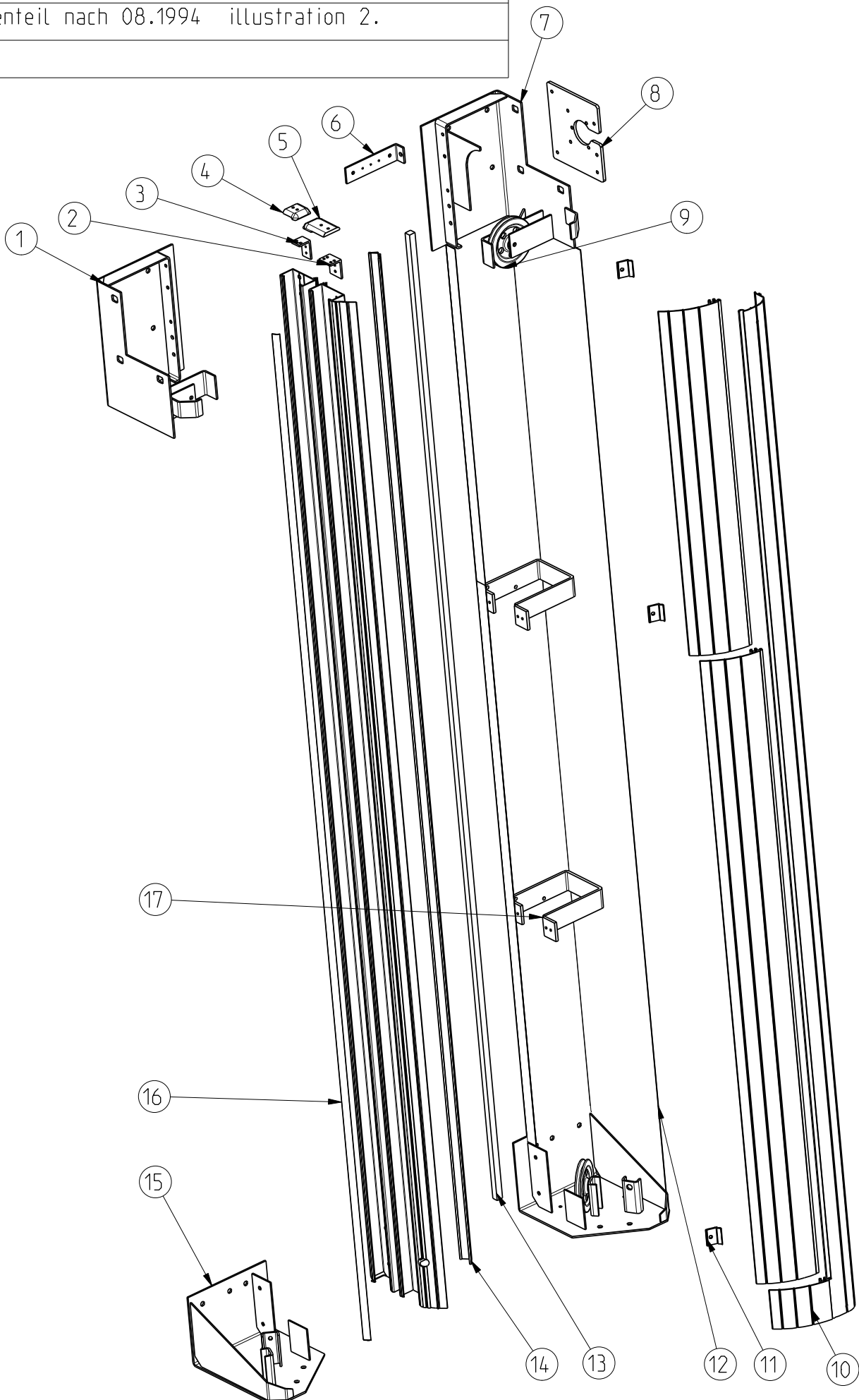
Revision 0

RR 660, Version 19			gültig ab valid from	Art.-Nr. Item-No	1	Lieferzeit Delivery time class	Einheit Unit	Anzahl pro Tor Quantity per door	Verschleißteil part / Slitdetailje	Wear
Pos.	Description	Bemerkung Note								
I	Side quadrant	sp-120641-05_01								
	Side quadrant right, comp. to -94.w35		► 1994-08	D66-4000-PC	G	C	m	1		
10	Hinge profile (al) l=50 mm (mod 94)			D4721R0228		A	pce	3		
9	Door profile l=60 for fitting of door			D66-4124-91		A	pce	2		
8	Quadrant reinforcement			D66-4134-88		A	pce	1		
6	Wall bracket right hand 660			D66-4612-01		A	pce	1		
5	Bearing bracket 660			D66-4704-88		A	pce	1		
2	Bracket for front c-profile edge cover			D66-5217-91		A	pce	1		
3	Edge cover front c-profile			D66-5218-91		A	pce	1		
7	Cable pulley with 2 bearings complete			D4121V0021		A	pce	2	x	
4	Foam seal 20x20 mm			D4402RG007	G	A	pce	1		
11	Brush strip Mink 0,2/31 mm PA6 Curled			D4121RG026	G	A	pce	2	x	
	Side quadrant left, comp. to -94.w35		► 1994-08	D66-4001-PC	G	C	m	1		
10	Hinge profile (al) l=50 mm (mod 94)			D4721R0228		A	pce	3		
9	Door profile l=60 for fitting of door			D66-4124-91		A	pce	2		
8	Quadrant reinforcement			D66-4134-88		A	pce	1		
1	Wall bracket left hand 660			D66-4613-01		A	pce	1		
5	Bearing bracket 660			D66-4704-88		A	pce	1		
2	Bracket for front c-profile edge cover			D66-5217-91		A	pce	1		
3	Edge cover front c-profile			D66-5218-91		A	pce	1		
7	Cable pulley with 2 bearings complete			D4121V0021		A	pce	2	x	
4	Foam seal 20x20 mm			D4402RG007	G	A	pce	1		
11	Brush strip Mink 0,2/31 mm PA6 Curled			D4121RG026	G	A	pce	2	x	

Karm from. 08.1994 illustration 2.

Frame from 08.1994 illustration 2.

Seitenteil nach 08.1994 illustration 2.



Drawing number

SP-120641-05

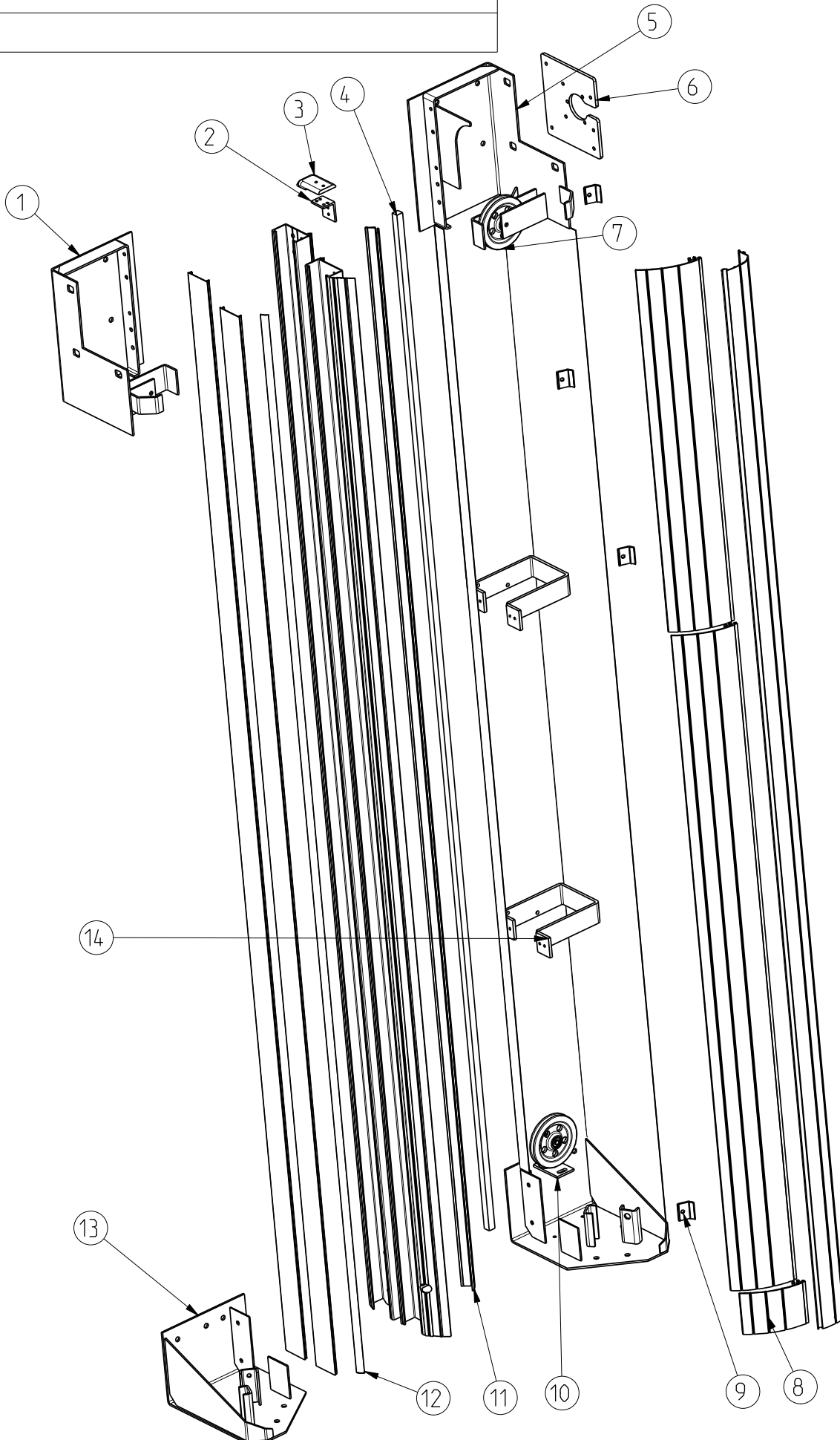
Revision 0

RR 660, Version 19			gültig ab ► gültig bis valid from ► valid to	Art.-Nr. Item-No	1	Lieferzeit Delivery time class	Einheit Unit	Anzahl pro Tor Quantity per door	Verschleißteil part / Silt detalje	Wear
Pos.	Description	Bemerkung Note								
I	Side quadrant	sp-120641-05_02								
	Side quadrant right, comp. From -94.w36		1994-09 ►	D66-4002-PC	G	C	m	1		
11	Hinge profile (al) l=50 mm (mod 94)			D4721R0228		A	pce	3		
10	Door profile l=125 for fitting door			D66-4125-94		A	pce	1		
17	Quadrant reinforcement			D66-4134-88		A	pce	1		
7	Wall bracket right hand 660			D66-4612-01		A	pce	1		
8	Bearing bracket 660			D66-4704-88		A	pce	1		
2	Bracket for front c-profile edge cover			D66-5217-91		A	pce	1		
5	Edge cover front c-profile			D66-5218-91		A	pce	1		
4	Edge cover rear c-profile			D66-5219-99		A	pce	1		
3	Bracket for rear c-profile edge cover			D66-5221-99		A	pce	1		
9	Cable pulley with 2 bearings complete			D4121V0021		A	pce	2	x	
13	Foam seal 20x20 mm			D4402RG007	G	A	pce	1		
16	Strip yellow/red			D4050RG016	G	A	m	1		
14	Brush strip Mink 0,2/31 mm PA6 Curled			D4121RG026	G	A	pce	2	x	
	Side quadrant left, comp. From -94.w36		1994-09 ►	D66-4003-PC	G	C	m	1		
11	Hinge profile (al) l=50 mm (mod 94)			D4721R0228		A	pce	3		
10	Door profile l=125 for fitting door			D66-4125-94		A	pce	1		
17	Quadrant reinforcement			D66-4134-88		A	pce	1		
7	Wall bracket left hand 660			D66-4613-01		A	pce	1		
8	Bearing bracket 660			D66-4704-88		A	pce	1		
2	Bracket for front c-profile edge cover			D66-5217-91		A	pce	1		
5	Edge cover front c-profile			D66-5218-91		A	pce	1		
4	Edge cover rear c-profile			D66-5219-99		A	pce	1		
3	Bracket for rear c-profile edge cover			D66-5221-99		A	pce	1		
9	Cable pulley with 2 bearings complete			D4121V0021		A	pce	2	x	
13	Foam seal 20x20 mm			D4402RG007	G	A	pce	1		
16	Strip yellow/red			D4050RG016	G	A	m	1		
14	Brush strip Mink 0,2/31 mm PA6 Curled			D4121RG026	G	A	pce	2	x	

Karm SRD illustration 3.

Frame SRD illustration 3.

Seitenteil crash illustration 3.



Drawing number

SP-120641-05

Revision

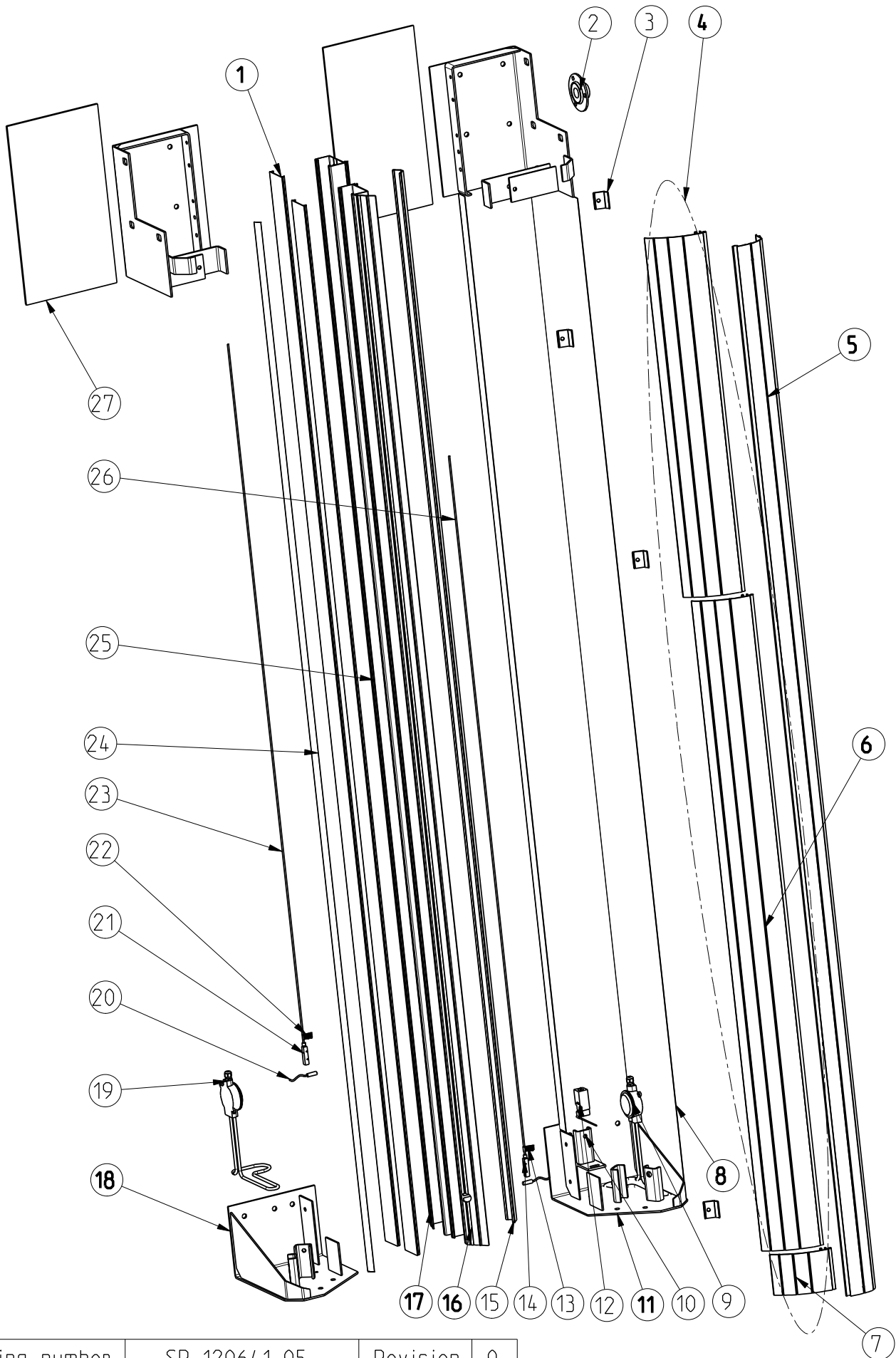
0

RR 660, Version 19			gültig ab ▲ gültig bis valid from ▲ valid to	Art.-Nr. Item-No	1	Lieferzeit Delivery time class	Einheit Unit	Anzahl pro Tor Quantity per door	Verschleißteil part / Silt detalje	Wear
Pos.	Description	Bemerkung Note								
I	Side quadrant	sp-120641-05_03								
	Side quadrant SRD right hand, complete.			D66-4004-PC	G	C	m	1		
10	Pulley wheel bracket on bottom plate			D42-4515-99		A	pce	1		
9	Hinge profile (al) l=50 mm (mod 94)			D4721R0228		A	pce	3		
8	Door profile l=125 for fitting door			D66-4125-94		A	pce	1		
14	Quadrant reinforcement			D66-4134-88		A	pce	1		
5	Wall bracket right hand 660			D66-4612-01		A	pce	1		
6	Bearing bracket 660			D66-4704-88		A	pce	1		
2	Bracket for front c-profile edge cover			D66-5217-91		A	pce	1		
3	Edge cover front c-profile			D66-5218-91		A	pce	1		
7	Cable pulley with 2 bearings complete			D4121V0021		A	pce	2	x	
4	Foam seal 20x20 mm			D4402RG007	G	A	pce	1		
12	Strip yellow/red			D4050RG016	G	A	m	1		
11	Brush strip Mink 0,2/31 mm PA6 Curled			D4121RG026	G	A	pce	1	x	
	Side quadrant SRD left hand, complete.			D66-4005-PC	G	C	m	1		
10	Pulley wheel bracket on bottom plate			D42-4515-99		A	pce	1		
9	Hinge profile (al) l=50 mm (mod 94)			D4721R0228		A	pce	3		
8	Door profile l=125 for fitting door			D66-4125-94		A	pce	1		
14	Quadrant reinforcement			D66-4134-88		A	pce	1		
1	Wall bracket left hand 660			D66-4613-01		A	pce	1		
6	Bearing bracket 660			D66-4704-88		A	pce	1		
2	Bracket for front c-profile edge cover			D66-5217-91		A	pce	1		
3	Edge cover front c-profile			D66-5218-91		A	pce	1		
7	Cable pulley with 2 bearings complete			D4121V0021		A	pce	2	x	
4	Foam seal 20x20 mm			D4402RG007	G	A	pce	1		
12	Strip yellow/red			D4050RG016	G	A	m	1		
11	Brush strip Mink 0,2/31 mm PA6 Curled			D4121RG026	G	A	pce	1	x	

Karm/övrigt illustration 4.

Frame/miscellaneous illustration 4.

Seitenteil/Unterbaugruppen illustration 4.



Drawing number

SP-120641-05

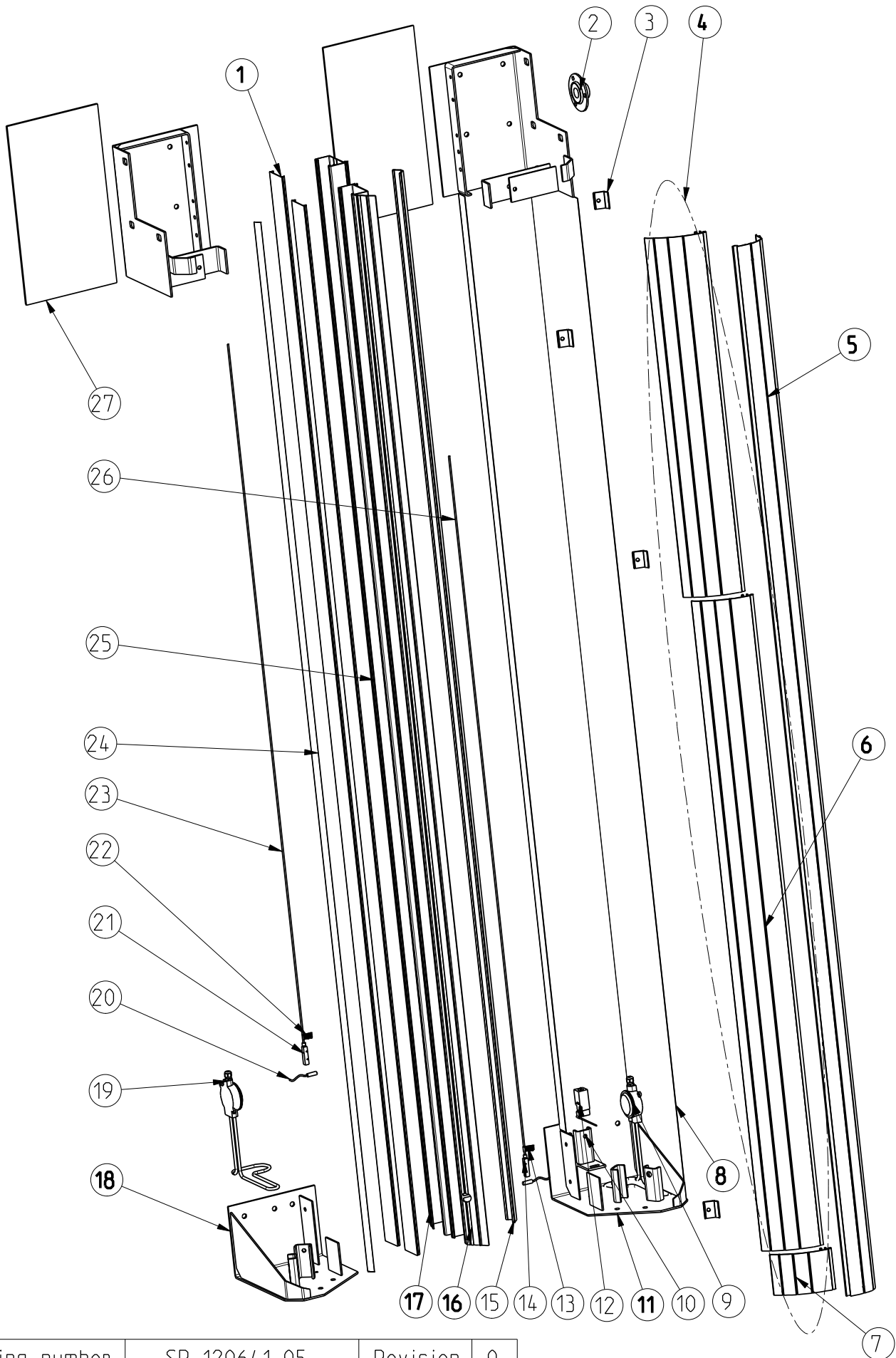
Revision 0

RR 660, Version 19			gültig ab ► gültig bis valid from ► valid to	Art.-Nr. Item-No	1	Lieferzeit Delivery time class	Einheit Unit	Anzahl pro Tor Quantity per door	Verschleißteil part / Siltetalje	Wear
Pos.	Description	Bemerkung Note								
I	Side quadrant	sp-120641-05_04								
4	Side quadrant door left, comp. To -94.w35		► 1994-08	D66-4100-PC	G	B	m	1		
7	Door profile l=60 for fitting of door			D66-4124-91		A	pce	2		
4	Side quadrant door right, comp. To -94.w35		► 1994-08	D66-4100-PC	G	B	m	1		
7	Door profile l=60 for fitting of door			D66-4124-91		A	pce	2		
4	Side quad. Door right comp. From -94.w36		1994-09 ►	D66-4101-PC	G	B	m	1		
3	Hinge profile (al) l=50 mm (mod 94)			D4721R0228		A	pce	3		
7	Door profile l=125 for fitting door			D66-4125-94		A	pce	1		
4	Side quad. Door left comp. From -94.w36		1994-09 ►	D66-4101-PC	G	B	m	1		
3	Hinge profile (al) l=50 mm (mod 94)			D4721R0228		A	pce	3		
7	Door profile l=125 for fitting door			D66-4125-94		A	pce	1		
4	Side quadrant door right hand SRD, comp.			D66-4101-PC	G	B	m	1		
3	Hinge profile (al) l=50 mm (mod 94)			D4721R0228		A	pce	3		
7	Door profile l=125 for fitting door			D66-4125-94		A	pce	1		
4	Side quadrant door left hand SRD, comp.			D66-4101-PC	G	B	m	1		
3	Hinge profile (al) l=50 mm (mod 94)			D4721R0228		A	pce	3		
7	Door profile l=125 for fitting door			D66-4125-94		A	pce	1		
6	Frame side door lower comp. From -94.w36		1994-09 ►	D66-4105-XX		B	pce	1		
3	Hinge profile (al) l=50 mm (mod 94)			D4721R0228		A	pce	1		
7	Door profile l=125 for fitting door			D66-4125-94		A	pce	1		
6	Frame side door lower part. To -94.w35		► 1994-08	D66-4106-XX		B	pce	1		
7	Door profile l=60 for fitting of door			D66-4124-91		A	pce	1		
16	C-profile front, pre-drilled, to -94.w35		► 1994-08	D66-4123-PC	G	B	m	1		
15	Brush strip Mink 0,2/31 mm PA6 Curled			D4121RG026		A	pce	1	x	

Karm/övrigt illustration 4.

Frame/miscellaneous illustration 4.

Seitenteil/Unterbaugruppen illustration 4.



Drawing number

SP-120641-05

Revision 0

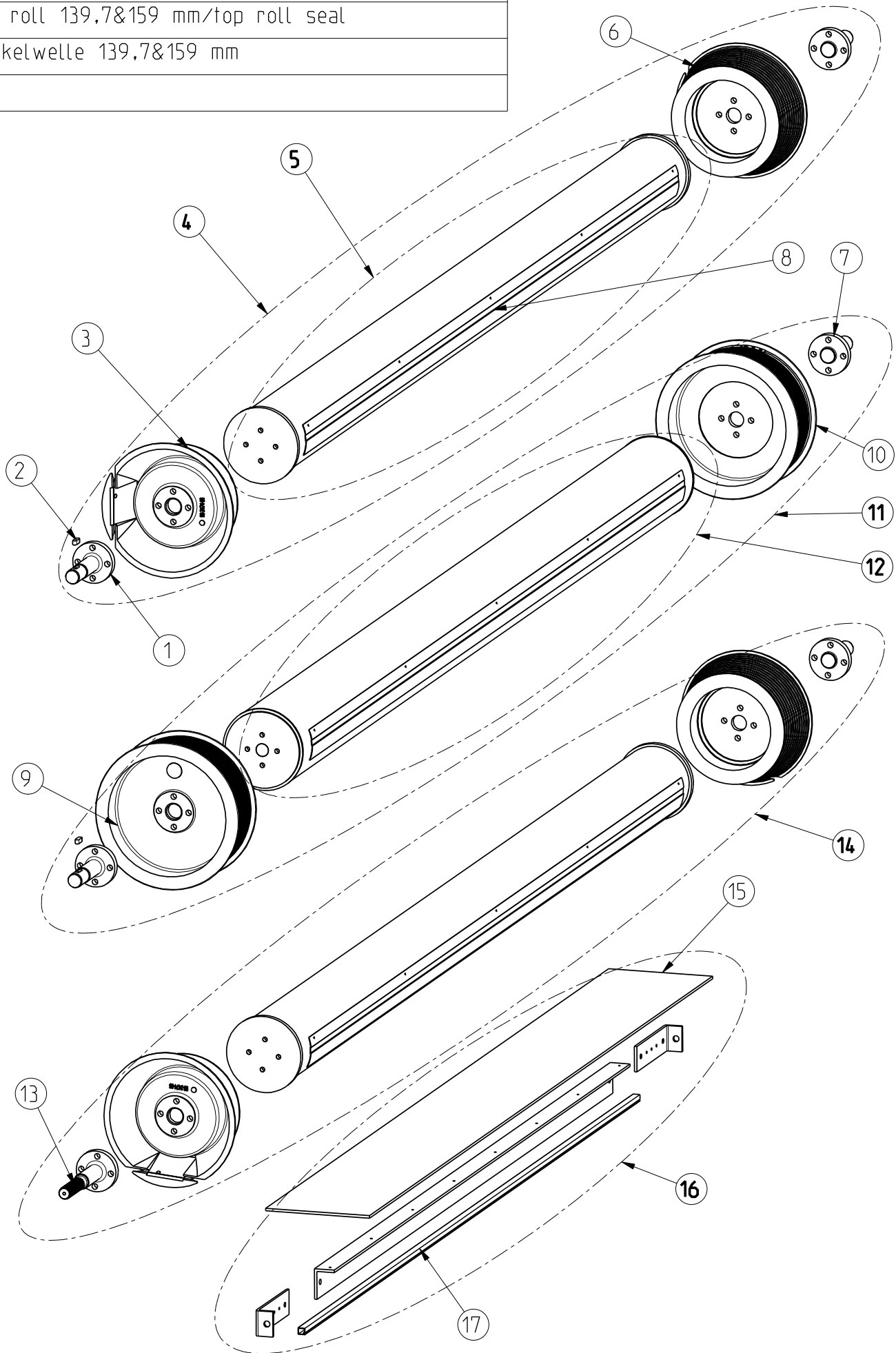
RR 660, Version 19			gültig ab ▲ gültig bis valid from ▲ valid to	Art.-Nr. Item-No	1	Lieferzeit Delivery time class	Einheit Unit	Anzahl pro Tor Quantity per door	Verschleißteil part / Silt detalje	Wear
Pos.	Description	Bemerkung Note								
I	Side quadrant	sp-120641-05_04								
16	C-profile front, pre-drilled, from -94.w36		1994-09 ►	D66-4126-PC	G	B	m	1		
24	Strip yellow/red			D4050RG016	G	A	m	1		
15	Brush strip Mink 0,2/31 mm PA6 Curled			D4121RG026	G	A	pce	1	x	
17	C-profile back, pre-drilled with brush seal			D66-4127-PC	G	B	m	1		
15	Brush strip Mink 0,2/31 mm PA6 Curled			D4121RG026	G	A	pce	1	x	
1	Cover profile, cut			D66-4150-PC	G	A	m	1		
5	Frame profile, pre-drilled, to -94.w35		► 1994-08	D66-4210-PC	G	B	m	1		
5	Frame profile, pre-drilled, from -94.w36		1994-09 ►	D66-4212-PC	G	B	m	1		
8	Cladding, set for 1 frame			D66-4252-PC	G	A	m	1		
11	Bottom plate right complete standard/SRD			D66-4516-XX		A	pce	1		
10	Pulley wheel bracket on bottom plate			D42-4515-99		A	pce	1	x	
18	Bottom plate left complete, standard/SRD			D66-4517-XX		A	pce	1		
10	Pulley wheel bracket on bottom plate			D42-4515-99		A	pce	1	x	
	Fixing brackets for frame work									
27	Fixing bracket 550 x 300 x 6			D96-4615-94		A	pce	2		
	Roller bearings complete for top roll									
2	Bearing diameter 30 mm			D8140R0071		A	pce	2	x	
20	Photocell Telco It-12a/r-a			D96-6410-93		A	pce	1		
	Photocell holder, rubber clip 10			D96-6092-97		A	pce	1		
14	Photocell transmitter without bracket - blue			D4904R0547		A	Stck./pc.	1		
21	Photocell receiver without bracket - black			D4904R0548		A	Stck./pc.	1		
26	Cable for photocell 10m 3x0,25			D4907R0032		A	pce	1		
23	Cable for photocell 15m 3x0,25			D4907R0037		A	pce	1		
22	Marker for reciever			D96-6461-01		A	pce	1		
13	Marker for sender			D96-6461-02		A	pce	1		
	Limit switch Tape switch/opticle saf.Edge									
12	Limit switch			D4905VG001	G	A	pce	1		
	Heating element Frigo H&S									
19	Heater element 8x144 200w/230VAC left			D4915V0001		A	pce	1		
9	heater element 8x144 200w/230VAC right			D4915V0002		A	pce	1		

RR 660, Version 19			gültig ab ▲ gültig bis valid from ▲ valid to	Art.-Nr. Item-No	1	Lieferzeit Delivery time class	Einheit Unit	Anzahl pro Tor Quantity per door	Verschleißteil part / Slltdetalje	Wear
Pos.	Description	Bemerkung Note								
II	Top roll > 5,5	sp-120640-05								
4	Door roll complete 632 Ovisor, < 6m DW			D66-3315-PC	G	D	m	1		
8	Fixing strip for door blade			D8540VG005	G	A	m	1		
7	Stub axle,30mm,short			D66-3602-85		A	pce	1		
1	Stub axle,30mm,drive side			D66-3612-85		A	pce	1		
6	Cable drum, conical, right			D96-3474-96		A	pce	1		
3	Cable drum conical, left			D96-3475-96		A	pce	1		
2	Key 8 x 7 mm			D5409021		A	pce	1		
11	Door roll complete 632 Ovisor, > 6 m DW			D66-3316-PC	G	D	m	1		
8	Fixing strip for door blade			D8540VG005	G	A	m	1		
10	Cable drum 265 right hand			D66-3470-95		A	pce	1		
9	Cable drum 265 left hand			D66-3471-95		A	pce	1		
7	Stub axle, 30mm, short			D66-3602-85		A	pce	1		
1	Stub axle, 30mm, drive side			D66-3612-85		A	pce	1		
2	Key 8 x 7 mm			D5409021		A	pce	1		
14	Door roll complete 632 ACS 70. < 6 m DW			D66-3317-PC	G	D	m	1		
8	Fixing strip for door blade			D8540VG005	G	A	m	1		
7	Stub axle, 30mm, short			D66-3602-85		A	pce	1		
6	Cable drum, conical, right			D96-3474-96		A	pce	1		
3	Cable drum conical, eft			D96-3475-96		A	pce	1		
13	Drive shaft 30 mm swedrive gear box.			D96-3623-92		A	pce	1		
11	Door roll complete 632 ACS 70, > 6 m DW			D66-3318-PC	G	D	m	1		
8	Fixing strip for door blade			D8540VG005	G	A	m	1		
10	Cable drum 265 right hand			D66-3470-95		A	pce	1		
9	Cable drum 265 left hand			D66-3471-95		A	pce	1		
7	Stub axle, 30mm, short			D66-3602-85		A	pce	1		
13	Drive shaft 30 mm swedrive gear box.			D96-3623-92		A	pce	1		
5	Door roll complete 632, < 6 m DW			D66-3415-PC	G	D	m	1		
8	Fixing strip for door blade			D8540VG005	G	A	m	1		
12	Door roll complete 632, > 6 m DW			D66-3416-PC	G	D	m	1		
8	Fixing strip for door blade			D8540VG005	G	A	m	1		

Valsrör 139,7&159 mm/valståtning

Top roll 139,7&159 mm/top roll seal

Wickelwelle 139,7&159 mm



Drawing number

SP-120640-05

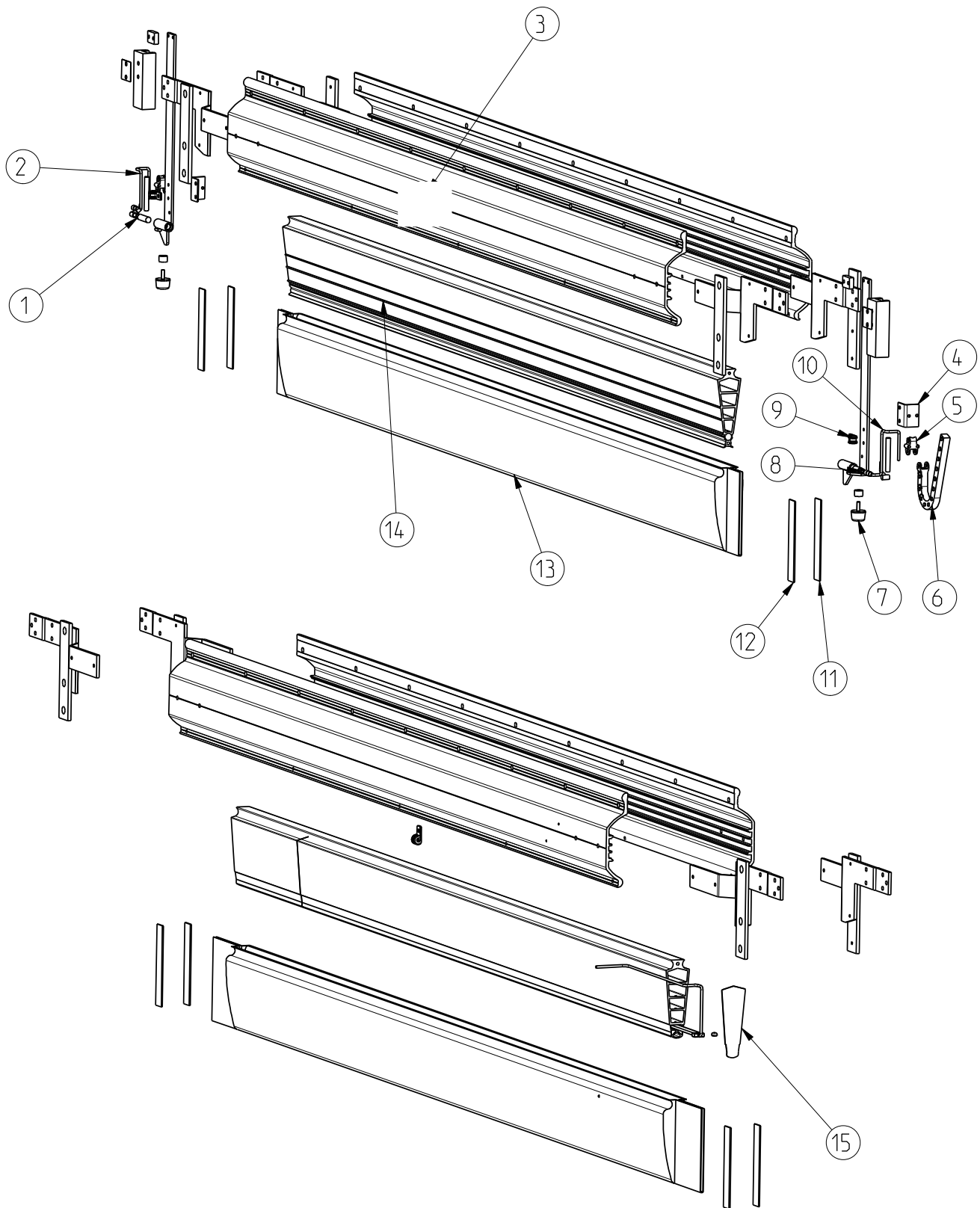
Revision 0

RR 660, Version 19			gültig ab ▲ gültig bis valid from ▲ valid to	Art.-Nr. Item-No	1	Lieferzeit Delivery time class	Einheit Unit	Anzahl pro Tor Quantity per door	Verschleißteil Wear part / Siltetalje
Pos.	Description	Bemerkung Note							
II	Top roll < 5,5	sp-120640-05							
4	Top roll complete 30 mm axles Ovitor			D96-3315-PC	G	D	m	1	
8	Fixing strip for door blade			D8540VG005	G	A	m	1	
7	Stub axle, 30mm, short			D66-3602-85		A	pce	1	
1	Stub axle, 30mm, drive side			D66-3612-85		A	pce	1	
6	Cable drum, conical, right			D96-3474-96		A	pce	1	
3	Cable drum conical, left			D96-3475-96		A	pce	1	
2	Key 8 x 7 mm			D5409021		A	pce	1	
14	Top roll complete 30 mm axles ACS 70			D96-3316-PC	G	D	m	1	
8	Fixing strip for door blade			D8540VG005	G	A	m	1	
7	Stub axle, 30mm, short			D66-3602-85		A	pce	1	
6	Cable drum, conical, right			D96-3474-96		A	pce	1	
3	Cable drum conical, left			D96-3475-96		A	pce	1	
13	Drive shaft 30 mm swedrive gear box			D96-3623-92		A	pce	1	
5	Top roll w. End boss. 30 mm axles ACS 70			D96-3416-PC	G	D	m	1	
8	Fixing strip for door blade			D8540VG005	G	A	m	1	
7	Stub axle, 30mm, short			D66-3602-85		A	pce	1	
13	Drive shaft 30 mm swedrive gear box			D96-3623-92		A	pce	1	
16	Top roll seal, felt 420&660 complete			D96-4416-PC	G	B	m	1	
15	Felt seal 210 mm			D5006RG001	G	A	m	1	

Bottenbalk/klämmskydd H=168 STS/Elektrisk List

Bottom beam/safety edge H=168 STS/Electrical List

Abschlussprofil H=168 STS/elektrisch



Drawing number

SP-120632-05

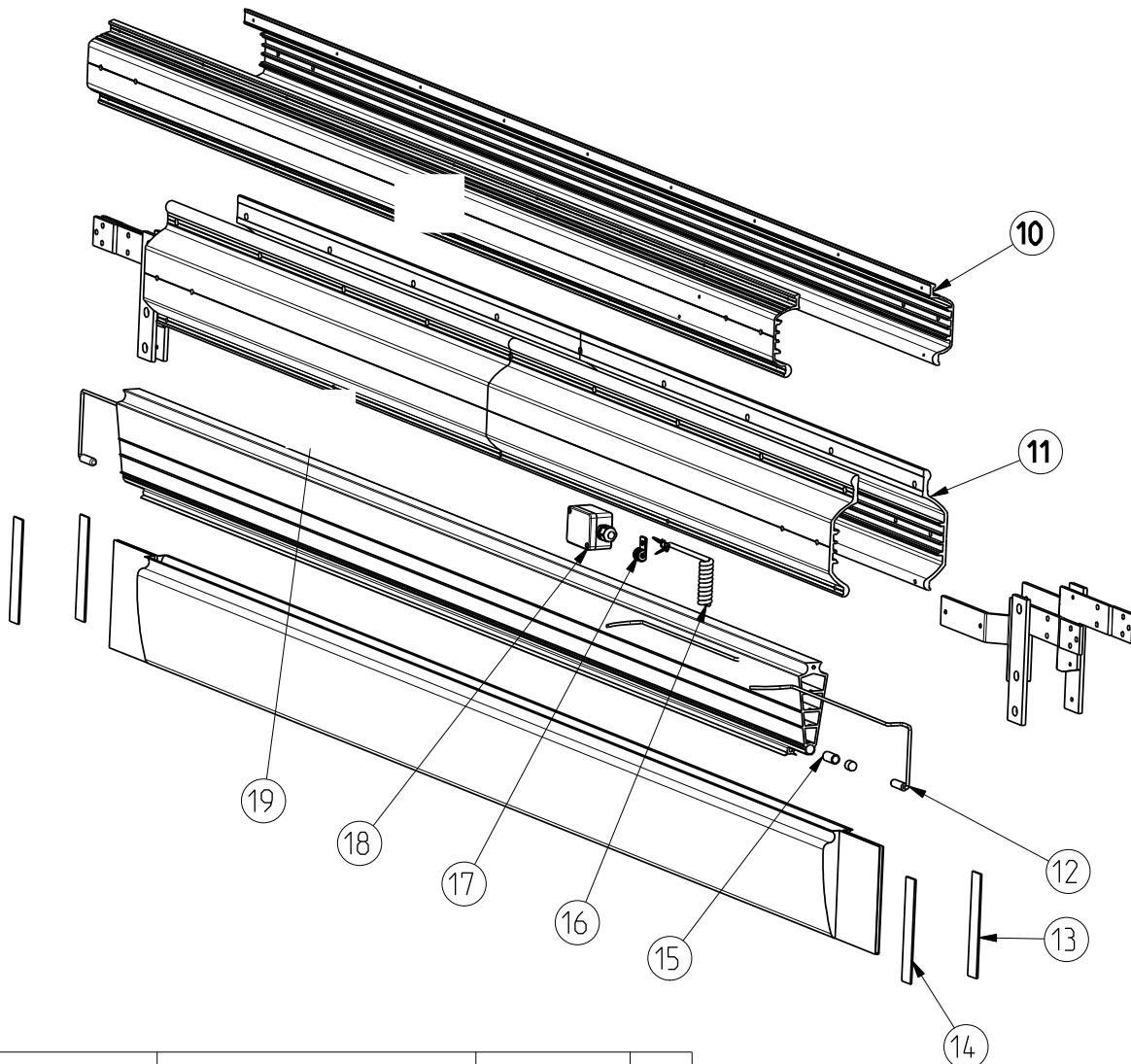
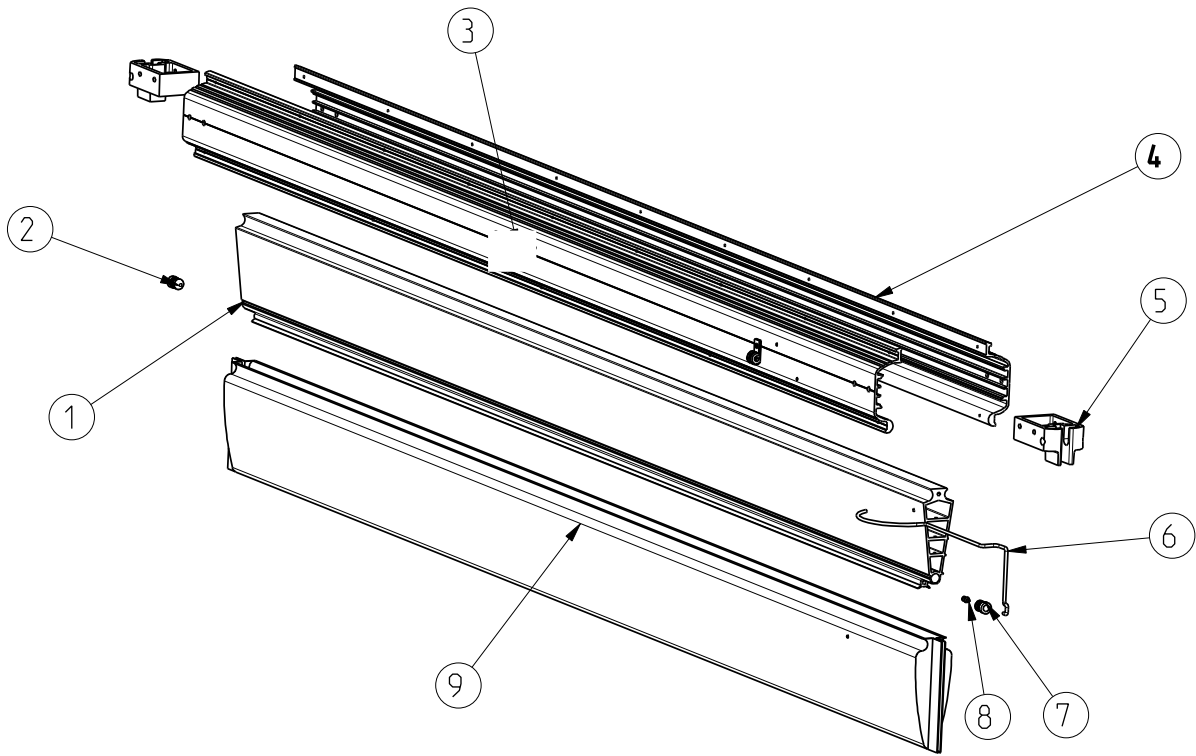
Revision 0

RR 660, Version 19			gültig ab ▲ gültig bis valid from ▲ valid to	Art.-Nr. Item-No	1	Lieferzeit Delivery time class	Einheit Unit	Anzahl pro Tor Quantity per door	Verschleißteil part / Slltdetalje	Wear
Pos.	Description	Bemerkung Note								
III	Safety edge.	sp-120632-05								
	Safety edge STS complete H=168			D66-1027-PC	G	B	m	1		
4	Bracket cable chain, 420 door			D42-1571-95		A	pce	2		
7	Schock absorber sts, 420 door			D42-1572-95		A	pce	2		
1	Telco transmitter LT 101 AP25 T3			D4904V0066		A	pce	1		
8	Telco reciever LR 100 AP38 T3			D4904V0067		A	pce	1		
2	Photocell cable 16 m transmitter straight			D4907R0037		A	pce	1		
10	Photocell cable 16 m reciever angel			D4907R0037		A	pce	1		
11	Velcro tape 01 hook 25 mm			D4121RG029	G	A	m	2		
14	Rubber profile new type			D4421RG046	G	A	m	1		
13	Safety edge fabric yellow/red			D4050RG017	G	A	m	1		
6	Cable support chain 0/30			D8250RG014	G	A	m	2		
5	Cable support chain 01 (bracket)			D4121R0228	G	A	m	4		
12	Velcro tape 01 w=25			D4121RG030	G	A	m	2		
9	Bracket for coily cable			D5006R0010		A	pce	2		
	Safety edge comp. 8k2, H= 168			D66-1050-PC	G	B	m	1		
11	Velcro tape 01 hook 25 mm			D4121RG029	G		m	2		
13	Safety edge fabric yellow/red			D4050RG017	G	A	m	1		
12	Velcro tape 01 w=25			D4121RG030	G	A	m	2		
9	Bracket for coily cable			D5006R0010		A	pce	1		

Bottenbalk/klämskydd H=115/168 SRD/Optiskt

Bottom beam/safety edge H=115/168 SRD/Opticle

Abschlussprofil H=115/168 crash/optisch



Drawing number

SP-120633-05

Revision

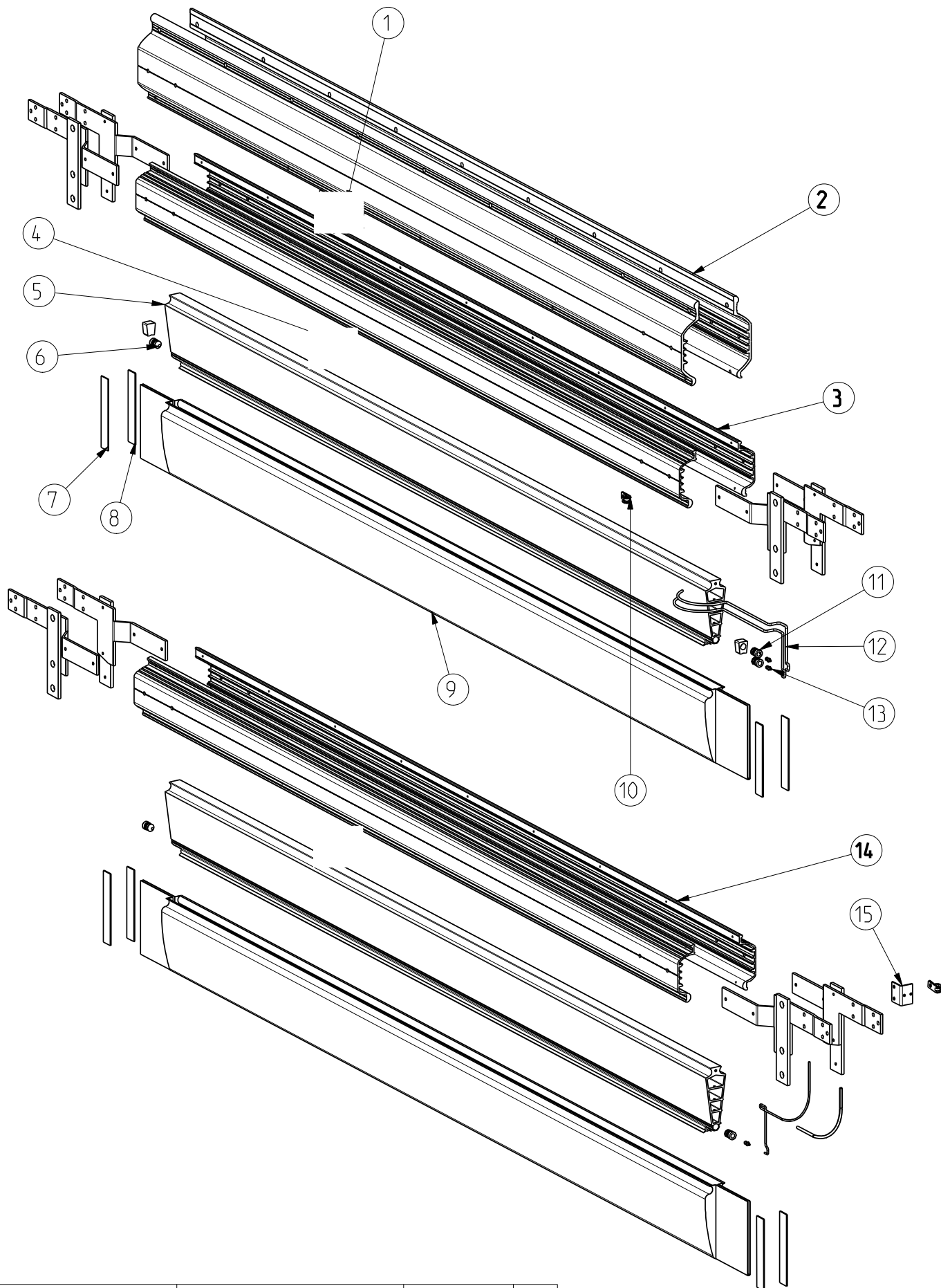
0

RR 660, Version 19			gültig ab ▲ gültig bis valid from ▲ valid to	Art.-Nr. Item-No	1	Lieferzeit Delivery time class	Einheit Unit	Anzahl pro Tor Quantity per door	Verschleißteil part / Slltdetalje	Wear
Pos.	Description	Bemerkung Note								
III	Safety edge.	sp-120633-05								
4	Safety edge comp. Pneumatic SRD H=115			D96-1011-PC	G	B	m	1		
5	Guide/wire attachm. POM grey SRD.			D4121V0015		A	pce	2		
1	Rubber profile new type			D4421RG046	G	A	m	1		
6	Plastic tube			D4102RG002		A	m	2		
7	Endplug with hole			D96-1318-98		A	pce	1		
2	Endplug without hole			D96-1319-98		A	pce	1		
8	Nipple for endplug with hole			D96-1320-98		A	pce	1		
9	Safety edge fabric yellow/red			D4050RG017	G	A	m	1		
17	Bracket for coily cable			D5006R0010		A	pce	1		
10	Safety edge complete opticle H=115			D96-1014-PC	G	B	m	1		
18	Connection box 060504 (eat)			D50-6010-87		A	pce	1		
13	Velcro tape 01 hook 25 mm			D4121RG029	G	A	m	2		
1	Rubber profile new type			D4421RG046	G	A	m	1		
15	Pvc hose 1,5 mm			D4102rg003		A	pce	2		
9	Safety edge fabric yellow/red			D4050RG017	G	A	m	1		
14	Velcro tape 01 w=25			D4121RG030	G	A	m	2		
17	Bracket for coily cable			D5006R0010		A	pce	2		
16	Coily cable 4x0,75 mm2			D96-6101-82		A	pce	1		
12	Photocell telco lt-12a/lr-a			D96-6410-93		A	pce	1		
11	Safety edge complete opticle H=168			D96-1015-PC		B	m	1		
18	Connection box 060504 (eat)			D50-6010-87		A	pce	1		
13	Velcro tape 01 hook 25 mm			D4121RG029	G	A	m	2		
1	Rubber profile new type			D4421RG046	G	A	m	1		
15	Pvc hose 1,5 mm			D4102rg003		A	pce	2		
9	Safety edge fabric yellow/red			D4050RG017	G	A	m	1		
14	Velcro tape 01 w=25			D4121RG030	G	A	m	2		
17	Bracket for coily cable			D5006R0010		A	pce	2		
16	Coily cable 4x0,75 mm2			D96-6101-82		A	pce	1		
12	Photocell telco lt-12a/lr-a			D96-6410-93		A	pce	1		
	Safety edge fabric with velcro tape			D4004VG001	G	B	m	1		
13	Velcro tape 01 hook 25 mm			D4121RG029	G	A	m	2		
9	Safety edge fabric yellow/red			D4050RG017	G	A	m	1		
14	Velcro tape 01 w=25			D4121RG030	G	A	m	2		

Bottenbalk/klämskydd H=115/168 Pneumatisk

Bottom beam/safety edge H=115/168 Pneumatic

Abschlussprofil H=115/168 pneumatisch



Drawing number

SP-120634-05

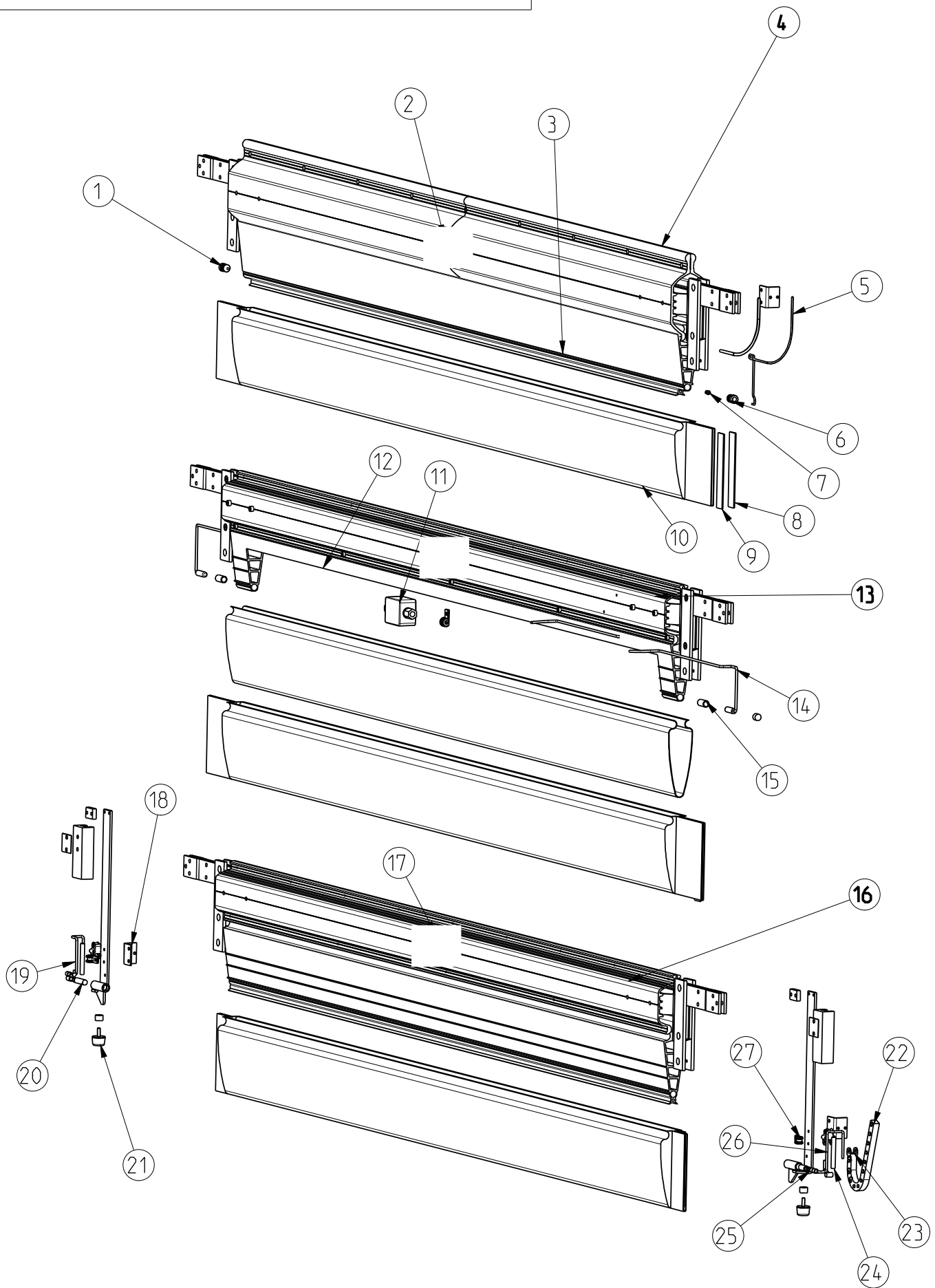
Revision 0

RR 660, Version 19			gültig ab ▲ gültig bis valid from ▲ valid to	Art.-Nr. Item-No	1	Lieferzeit Delivery time class	Einheit Unit	Anzahl pro Tor Quantity per door	Verschleißteil part / Siltetalje	Wear
Pos.	Description	Bemerkung Note								
III	Safety edge.	sp-120634-05								
3	Safety edge pneumatic complete Twin chamber H=115			D96-1016-PC	G	B	m	1		
7	Velcro tape 01 hook 25 mm			D4121RG029	G	A	m	2		
5	Rubber profile new type			D4421RG046	G	A	m	1		
12	Plastic tube			D4102RG002		A	m	2		
11	Endplug with hole			D96-1318-98		A	pce	2		
6	Endplug without hole			D96-1319-98		A	pce	1		
13	Nipple for endplug with hole			D96-1320-98		A	pce	2		
9	Safety edge fabric yellow/red			D4050RG017	G	A	m	1		
8	Velcro tape 01 w=25			D4121RG030	G	A	m	2		
10	Bracket for coily cable			D5006R0010		A	pce	1		
2	Safety edge pneumatic complete Twin chamber H=168			D96-1017-PC	G	B	m	1		
7	Velcro tape 01 hook 25 mm			D4121RG029	G	A	m	2		
5	Rubber profile new type			D4421RG046	G	A	m	1		
12	Plastic tube			D4102RG002		A	m	2		
11	Endplug with hole			D96-1318-98		A	pce	2		
6	Endplug without hole			D96-1319-98		A	pce	1		
13	Nipple for endplug with hole			D96-1320-98		A	pce	2		
9	Safety edge fabric yellow/red			D4050RG017	G	A	m	1		
8	Velcro tape 01 w=25			D4121RG030	G	A	m	2		
10	Bracket for coily cable			D5006R0010		A	pce	1		
14	Safety edge pneumatic complete H=115			D96-1018-PC	G	B	m	1		
15	Bracket cable chain, 420 door			D42-1571-95		A	pce	1		
7	Velcro tape 01 hook 25 mm			D4121RG029	G	A	m	2		
5	Rubber profile new type			D4421RG046	G	A	m	1		
12	Plastic tube			D4102RG002		A	m	1		
11	Endplug with hole			D96-1318-98		A	pce	1		
6	Endplug without hole			D96-1319-98		A	pce	1		
13	Nipple for endplug with hole			D96-1320-98		A	pce	1		
9	Safety edge fabric yellow/red			D4050RG017	G	A	m	1		
8	Velcro tape 01 w=25			D4121RG030	G	A	m	2		
10	Bracket for coily cable			D5006R0010		A	pce	1		

Bottenbalk/klämskydd H=115/168 Pneu/Optisk/STS

Bottom beam/safety edge H=115/168 Pneu/Opticle/STS

Abschlussprofil H=115/168 pneumatisch/optisch/STS



Drawing number

SP-120635-05

Revision

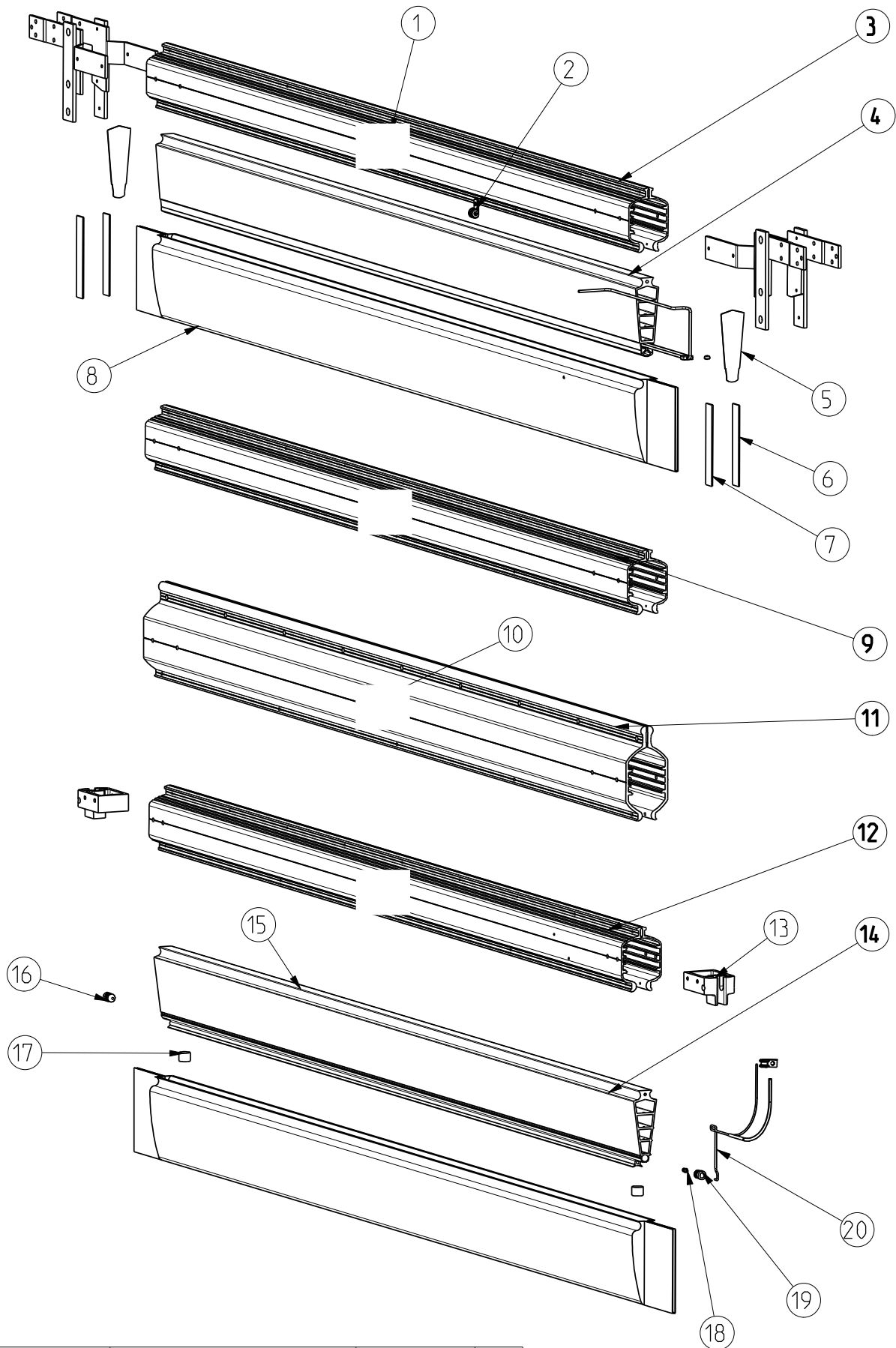
0

RR 660, Version 19			gültig ab ▲ gültig bis valid from ▲ valid to	Art.-Nr. Item-No	1	Lieferzeit Delivery time class	Einheit Unit	Anzahl pro Tor Quantity per door	Verschleißteil part / Siltdetailje	Wear
Pos.	Description	Bemerkung Note								
III	Safety edge.	sp-120635-05								
4	Safety edge pneumatic complete H=168			D96-1019-PC	G	B	m	1		
18	Bracket cable chain, 420 door			D42-1571-95		A	pce	1		
8	Velcro tape 01 hook 25 mm			D4121RG029	G	A	m	2		
3	Rubber profile new type			D4421RG046	G	A	m	1		
5	Plastic tube			D4102RG002		A	m	1		
6	Endplug with hole			D96-1318-98		A	pce	1		
1	Endplug without hole			D96-1319-98		A	pce	1		
7	Nipple for endplug with hole			D96-1320-98		A	pce	1		
10	Safety edge fabric yellow/red			D4050RG017	G	A	m	1		
9	Velcro tape 01 w=25			D4121RG030	G	A	m	2		
27	Bracket for coily cable			D5006R0010		A	pce	2		
2				D6403V0002		A	pce	2		
13	Safety edge open optical comp. H=115			D96-1024-PC	G	B	m	1		
11	Connection box 060504 (eat)			D50-6010-87		A	pce	1		
12	Rubber profile new type			D4421RG046	G	A	m	1		
15	Pvc hose 1,5 mm			D4102RG003		A	m	1		
15	Pvc hose 1,5 mm			D4102RG003		A	m	1		
10	Safety edge fabric yellow/red			D4050RG017	G	A	m	1		
27	Bracket for coily cable			D5006R0010		A	pce	1		
14	Photocell telco lt-12a/lr-a			D96-6410-93		A	pce	1		
17				D6403V0003		A	pce	2		
16	Safety edge complete STS H=115			D96-1026-PC	G	B	m	1		
18	Bracket cable chain, 420 door			D42-1571-95		A	pce	2		
21	Schock absorber sts, 420 door			D42-1572-95		A	pce	2		
25	Telco transmitter LT 101 AP25 T3			D4904V0066		A	pce	1		
20	Telco reciever LR 100 AP38 T3			D4904V0067		A	pce	1		
26	Photocell cable 16 m transmitter straight			D4907R0037		A	pce	1		
19	Photocell cable 16 m reciever angel			D4907R0037		A	pce	1		
8	Velcro tape 01 hook 25 mm			D4121RG029	G	A	m	2		
3	Rubber profile new type			D4421RG046	G	A	m	1		
10	Safety edge fabric yellow/red			D4050RG017	G	A	m	1		
22	Cable support chain 0/30			D8250RG014	G	A	m	2		
23	Cable support chain 01 (bracket)			D4121R0228	G	A	m	4		
9	Velcro tape 01 w=25			D4121RG030	G	A	m	2		
27	Bracket for coily cable			D5006R0010		A	pce	2		
17				D6403V0003		A	pce	2		

Bottenbalk/klämmskydd H=115/168 Elektrisk list/Pneu

Bottom beam/safety edge H=115/168 Electrical list/Pneu.

Abschlussprofil H=115/168 elektrisch/Unterbaugruppen



Drawing number

SP-120636-05

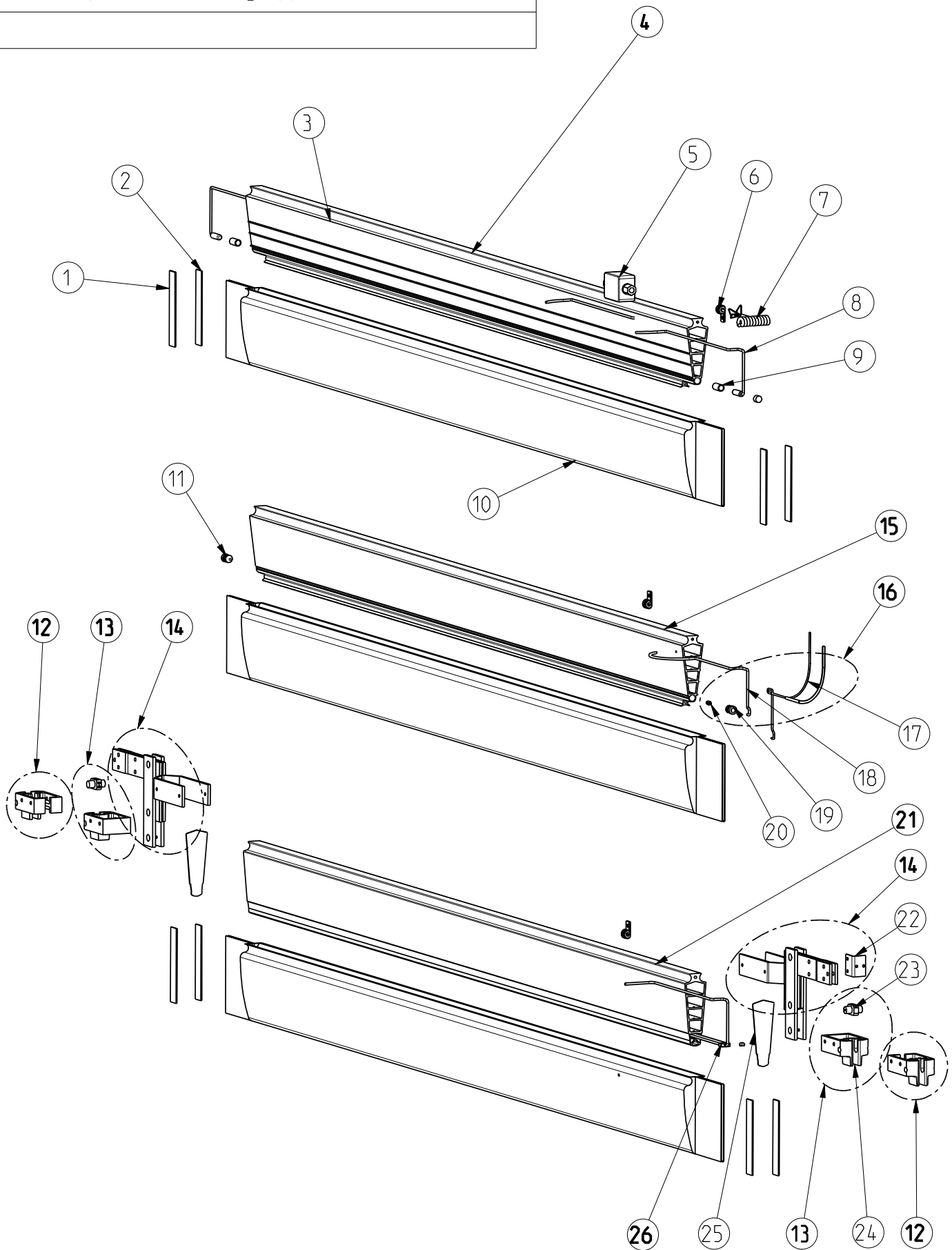
Revision 0

RR 660, Version 19			gültig ab ▲ gültig bis valid from ▲ valid to	Art.-Nr. Item-No	1	Lieferzeit Delivery time class	Einheit Unit	Anzahl pro Tor Quantity per door	Verschleißteil part / Sliedetailje	Wear
Pos.	Description	Bemerkung Note								
	III Safety edge.	sp-120636-05								
3, 4	Safety edge comp. 8k2, H= 115			D96-1050-PC	G	B	m	1		
6	Velcro tape 01 hook 25 mm			D4121RG029	G	A	m	2		
8	Safety edge fabric yellow/red			D4050RG017	G	A	m	1		
7	Velcro tape 01 w=25			D4121RG030	G	A	m	2		
2	Bracket for coily cable			D5006R0010		A	pce	1		
1				D6403V0003		A	pce	2		
9	Bottom beam,h=115, predrilled			D96-1110-PC	G	B	m	1		
1				D6403V0003		B	pce	2		
11	Bottom beam h=168, predrilled			D96-1111-PC	G	B	m	1		
10				D6403V0002		A	pce	2		
12	Bottom beam SRD, h=115, predrilled			D96-1113-PC	G	B	m	1		
13	Wire attachment , SRD, grey, POM			D4121V0015		A	pce	2		
1				D6403V0003		A	pce	2		
14	Rubber profile comp. Pneumatic H=140			D96-1200-PC	G	B	m	1		
6	Velcro tape 01 hook 25 mm			D4121RG029	G	A	m	2		
15	Rubber profile new type			D4421RG046	G	A	m	1		
20	Plastic tube			D4102RG002		A	m	1		
17	Endplugg d=20mm h=15mm			D96-1310-95		A	pce	2		
19	Endplug with hole			D96-1318-98		A	pce	1		
16	Endplug without hole			D96-1319-98		A	pce	1		
18	Nipple for endplug with hole			D96-1320-98		A	pce	1		
8	Safety edge fabric yellow/red			D4050RG017	G	A	m	1		
7	Velcro tape 01 w=25			D4121RG030	G	A	m	2		
2	Bracket for coily cable			D5006R0010		A	pce	1		

Klämskydd Optiskt/Pneum/Elektrisk list

Safety edge Opticle/Pneum/Electrical list

Abschlussprofil Unterbaugruppen



Drawing number

SP-120637-05

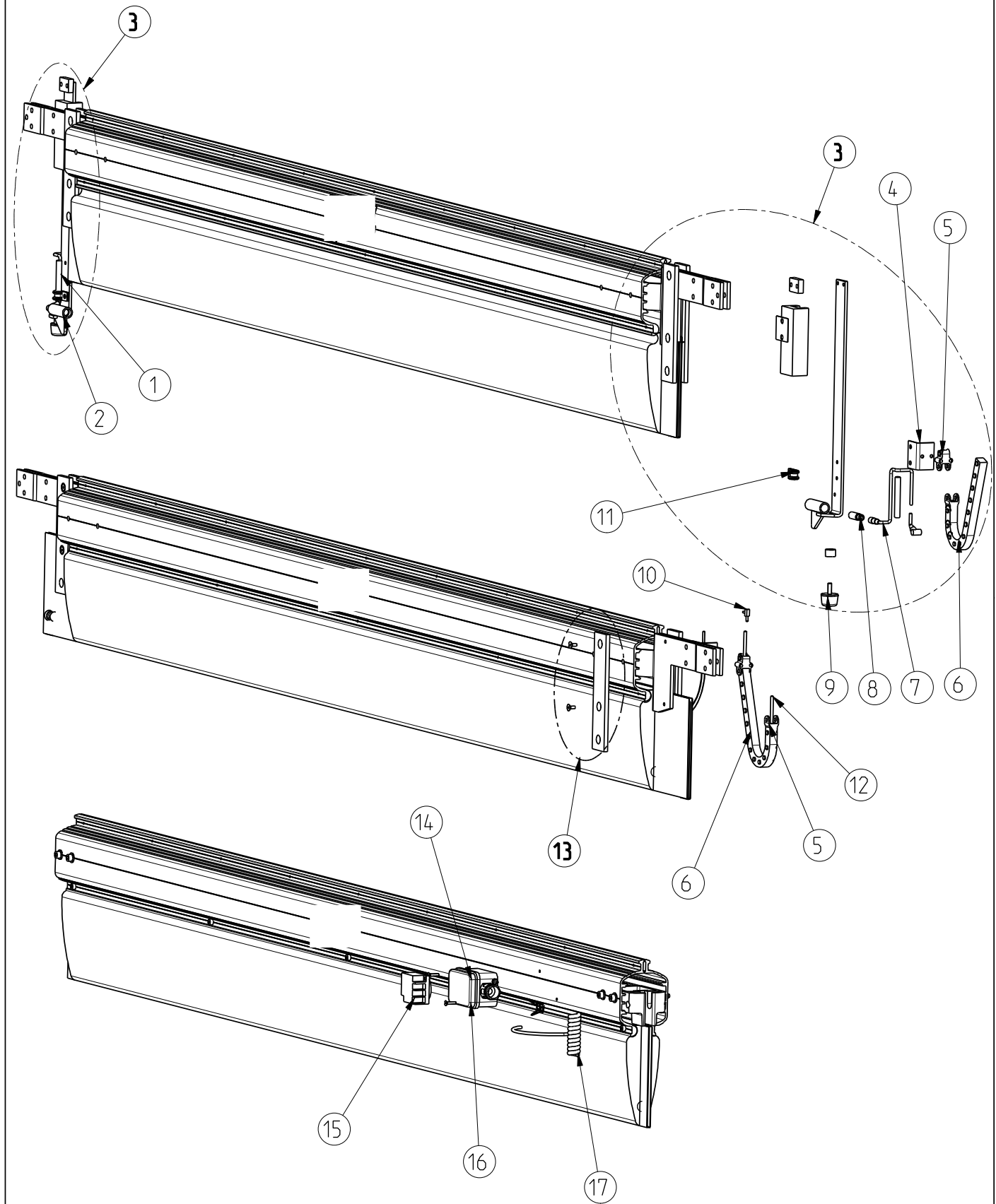
Revision 0

RR 660, Version 19			gültig ab ▲ gültig bis valid from ▲ valid to	Art.-Nr. Item-No	1	Lieferzeit Delivery time class	Einheit Unit	Anzahl pro Tor Quantity per door	Verschleißteil part / Siltetalje	Wear
Pos.	Description	Bemerkung Note								
III	Safety edge.	sp-120637-05								
4	Rubber profile comp. Optical H=140			D96-1210-PC	G	B	m	1		
5	Connection box 060504 (eat)			D50-6010-87		A	pce	1		
1	Velcro tape 01 hook 25 mm			D4121RG029	G	A	m	2		
3	Rubber profile new type			D4421RG046	G	A	m	1		
9	Pvc hose 1,5 mm			D4102RG003		A	m	2		
10	Safety edge fabric yellow/red			D4050RG017	G	A	m	1		
2	Velcro tape 01 w=25			D4121RG030	G	A	m	2		
6	Bracket for coily cable			D5006R0010		A	pce	1		
7	Coily cable 4x0,75 sq mm			D96-6101-82		A	pce	1		
8	Photocell telco lt-12a/lr-a			D96-6410-93		A	pce	1		
15	Rubber profile comp. SRD pneum. H=140			D96-1211-PC	G	B	m	1		
3	Rubber profile new type			D4421RG046	G	A	m	1		
18	Plastic tube			D4102RG002		A	m	1		
19	End plug with hole			D96-1318-98		A	pce	1		
11	End plug without hole			D96-1319-98		A	pce	1		
20	Nipple for end plug with hole			D96-1320-98		A	pce	1		
10	Safety edge fabric yellow/red			D4050RG017	G	A	m	1		
6	Bracket for coily cable			D5006R0010		A	pce	1		
16	Sealing kit comp. Pneumatic safety edge complete			D96-1225-XX	G	A	pce	1		
17	Plastic tube			D4102RG002		A	pce	1		
19	End plug with hole			D96-1318-98		A	pce	1		
11	End plug without hole			D96-1319-98		A	pce	1		
20	Nipple for end plug with hole			D96-1320-98		A	pce	1		
	Rubber profile with integrated Safety edge			D4421RG036	B	G	m	1		
	Retrofit Safety edge Mayser/Bircher to ASO			D8550RG068	B	G	m	1		
1	Velcro tape 01 hook 25 mm			D4121RG029	G	A	m	2		
10	Safety edge fabric yellow/red			D4050RG017	G	A	m	1		
2	Velcro tape 01 w=25			D4121RG030	G	A	m	2		
6	Bracket for coily cable			D5006R0010		A	pce	1		
14	Set of guides 2L+2R with wearpads comp.			D96-1500-XX		A	pce	1	x	
22	Bracket cable chain, 420 door			D42-1571-95		A	pce	1		
13	Guiderail SRD 422-662			D96-1501-XX		A	pce	1		
24	Guide/wire attachm.POM grey SRD			D4121V0015		A	pce	2		
23	Wire lock 660/400 SRD			D4521R1536		A	pce	2		
12	Guide rail SRD, PEHD (Machined)			D4121V0004		A	pce	2		

Klåmskydd/komponenter STS/Pneumatisk

Safety edge/components STS/Pneumatic

Abschlussprofil Unterbaugruppen



Drawing number

SP-120638-05

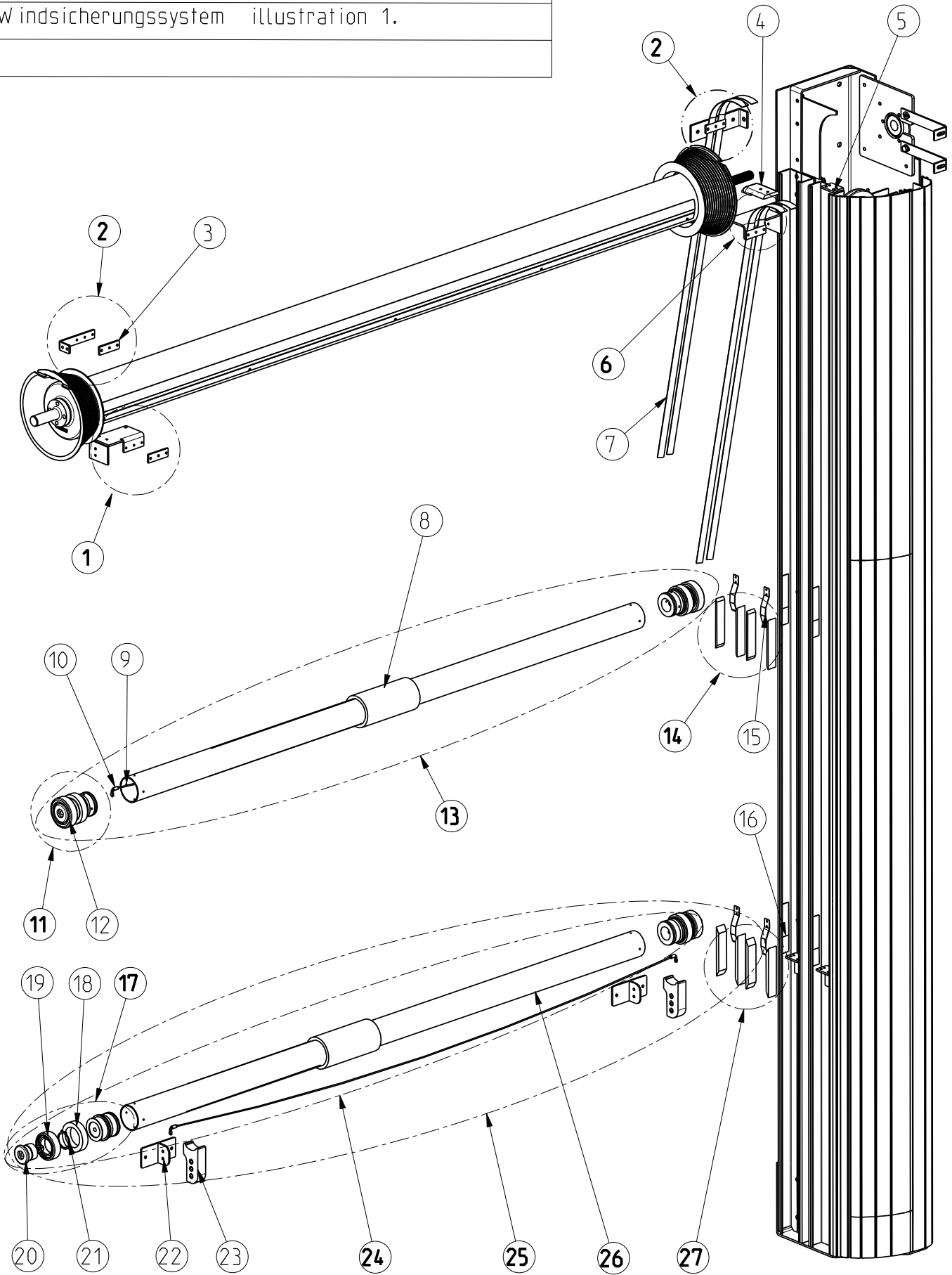
Revision 0

RR 660, Version 19			gültig ab ▲ gültig bis valid from ▲ valid to	Art.-Nr. Item-No	1	Lieferzeit Delivery time class	Einheit Unit	Anzahl pro Tor Quantity per door	Verschleißteil part / Siltetalje	Wear
Pos.	Description	Bemerkung Note								
III	Safety edge.	sp-120638-05								
3	Set of guides STS 420/660, comp. 2L+2R			D96-1503-XX	G	A	pce	1		
4	Bracket cable chain, 420 door			D42-1571-95		A	pce	2		
9	Schock absorber sts, 420 door			D42-1572-95		A	pce	2		
2	Telco transmitter LT 101 AP25 T3			D4904V0066		A	pce	1		
8	Telco reciever LR 100 AP38 T3			D4904V0067		A	pce	1		
1	Photocell cable 16 m transmitter straight			D4907R0037		A	pce	1		
7	Photocell cable 16 m reciever angel			D4907R0037		A	pce	1		
5	Cable support chain 01 (bracket)			D4121R0228		A	pce	2		
11	Bracket for coily cable			D5006R0010		A	pce	2		
13	Plastic wear pads inc. Screws			D96-1505-XX		A	pce	4	x	
	Cable chain with air-tube, complete			D96-1564-PC	G	A	m	1	x	
10	Connection for plastic tube			D96-1305-93		A	pce	1		
12	Plastic tube			D4102RG001	G	A	m	1		
6	Cable support chain 0/30			D8250RG014	G	A	m	1	x	
5	Cable support chain 01 (bracket)			D4121R0228	G	A	pce	2		
	Pressure switch, pneumatic Safety edge									
14	Pressure switch DWGK11DOE (mechanical)			D96-6000-79		A	pce	1		
17	Coily cable, safety edge									
	Coily cable 4 x 0,75 mm2 (El.List/Opt.)			D96-6101-82		A	pce	1	x	
	Coily cable 3 x 0,75 mm2 (Pneumatic)			D96-6105-96		A	pce	1	x	

Vindförstärkning illustration 1.

Windreinforcement illustration 1.

Windsicherungssystem illustration 1.



Drawing number

SP-120643-05

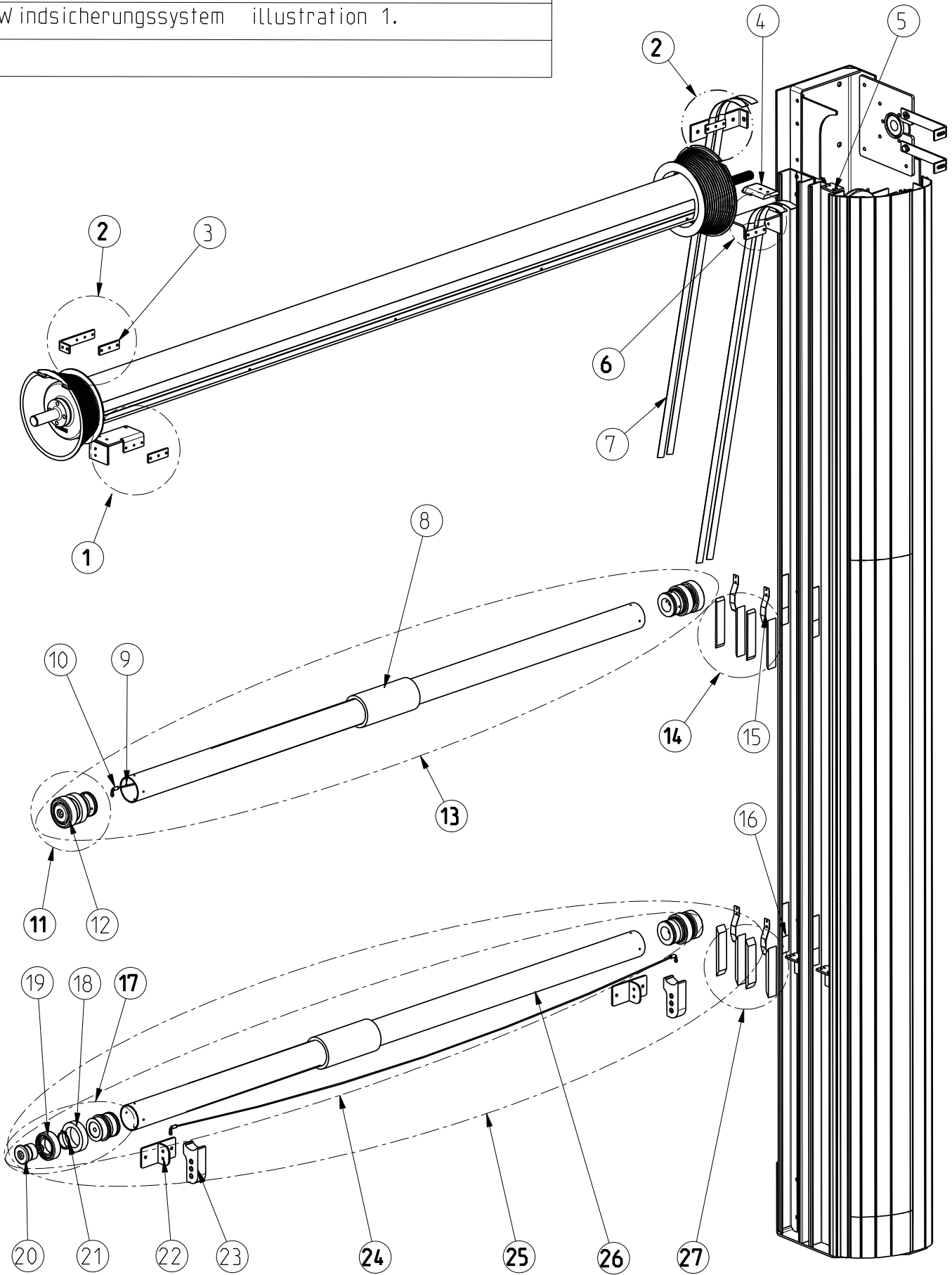
Revision 0

RR 660, Version 19			gültig ab ▲ gültig bis valid from ▲ valid to	Art.-Nr. Item-No	1	Lieferzeit Delivery time class	Einheit Unit	Anzahl pro Tor Quantity per door	Verschleißteil part / Siltetalje	Wear
Pos.	Description	Bemerkung Note								
IV	Wind reinforcement	sp-120643-05_1								
25	Windbar w. Bearings. 1 bar, catchers comp.	rear side		D66-5201-PC	G	B	m	1		
23	End piece for catcher arm			D4421V0008		A	pce	2		
22	Catcher arm			D4521V0136		A	pce	2		
19	Bearing coated diameter 80			D96-5237-99		A	pce	2	x	
13	Windbar with 88 mm bearings complete	front/back side		D66-5202-PC	G	B	m	1		
12	Bearing coated diameter 88			D96-5236-99		A	pce	2	x	
24	Windbar with 80 mm bearings complete	front/back side		D66-5204-PC	G	B	m	1		
19	Bearing coated diameter 80			D96-5237-99		A	pce	2	x	
8	Damper for second windbar 660	rear side, front/back side		D96-5220-93		A	pce	1		
9	Steel cable 114 strands 3,0 mm fzb			D5105RG004	G	A	m	1		
10	Lock 3,5 mm for safety wire			D97-0008-92		A	pce	2		
15	Ground contact plate			D96-5225-90		A	pce	2		
16	Double-coated tape,width 25mm,vhb 4950			D97-6620-87		A	pce	4		
18	Rubber ring 90 mm for end plug			D66-5202-87		A	pce	2		
20	Hub			D66-5204-90		A	pce	2		
17	Endplug 80 mm pivoted windbar Complete	d = 80		D66-5205-XX		A	pce	2		
19	Bearing coated diameter 80			D96-5237-99		A	pce	1	x	
11	Endplug 88 mm pivoted windbar Complete	d = 88		D66-5206-XX		A	pce	2		
12	Bearing coated diameter 88			D96-5236-99		A	pce	1	x	
24,2	Windbar tube with tape on backside	d = 80	2001-02 ►	D66-5210-PC	G	B	m	1		
19	Bearing coated diameter 80				D96-5237-99		A	pce	2	x
3	Clamp	d = 80, d = 88		D65-5252-79		A	m	2		
7	Windbar tape, cut to length			D5105RG005	G	A	m	4	x	
18	Rubber ring 90 mm for end plug			D66-5202-87		A	pce	2		
20	Hub			D66-5204-90		A	pce	2		
26	Wind bar diam. 75 x 3 mm, cut to length			D66-5207-PC	G	A	m	1		

Vindförstärkning illustration 1.

Windreinforcement illustration 1.

Windsicherungssystem illustration 1.



Drawing number

SP-120643-05

Revision

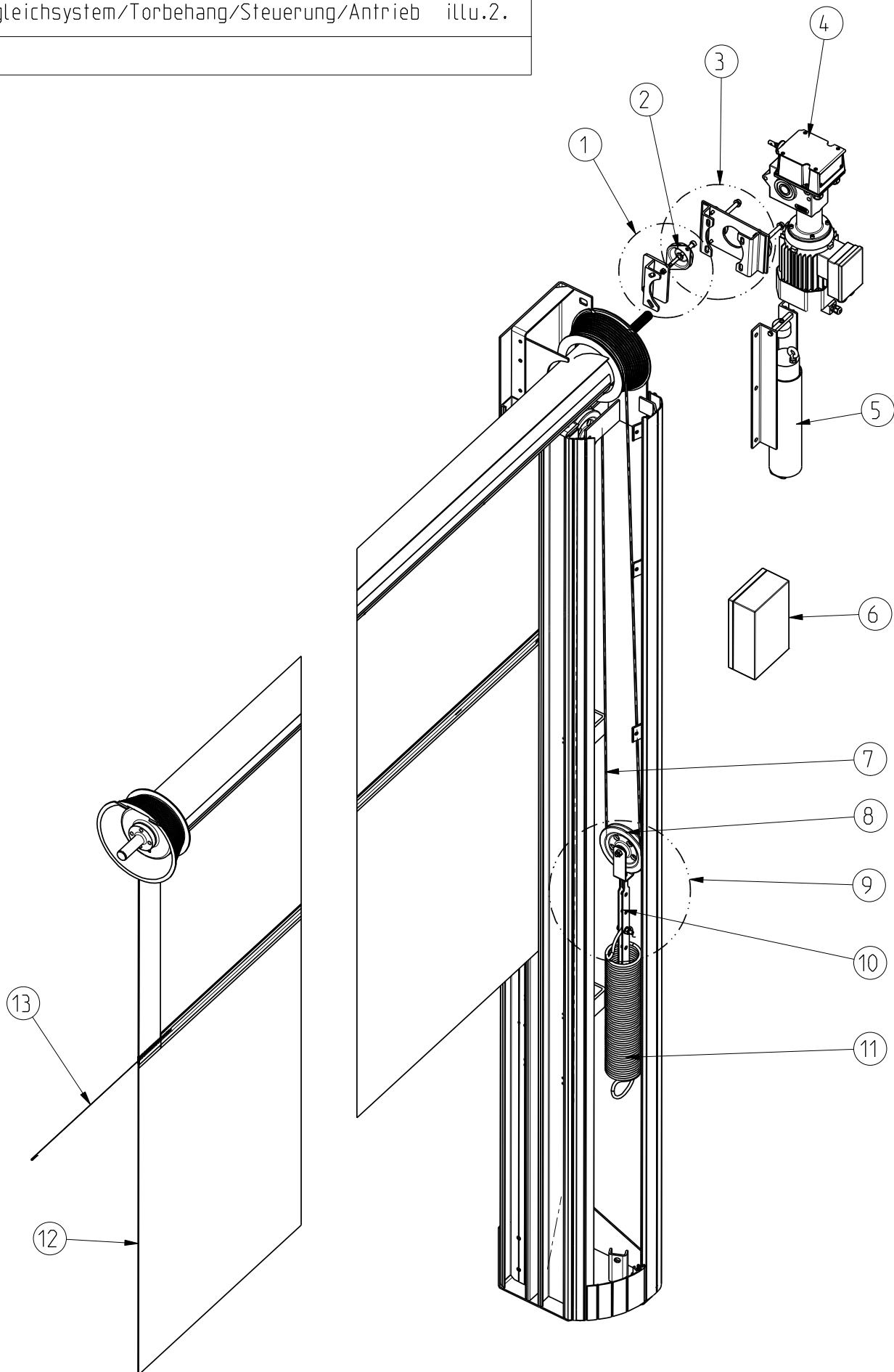
0

RR 660, Version 19			gültig ab ▲ gültig bis valid from ▲ valid to	Art.-Nr. Item-No	1	Lieferzeit Delivery time class	Einheit Unit	Anzahl pro Tor Quantity per door	Verschleißteil part / Silteteil	Wear
Pos.	Description	Bemerkung Note								
IV	Wind reinforcement	sp-120643-05_1								
14	Distance blocks 5 mm complete with tape Set with 4 pcs			D66-5225-XX		A	pce	1		
16	Double-coated tape,width 25mm,vhb 4950			D97-6620-87		A	pce	4		
27	Distance blocks 10 mm complete with tape Set with 4 pcs			D66-5230-XX		A	pce	1		
16	Double-coated tape,width 25mm,vhb 4950			D97-6620-87		A	pce	4		
6	Tape bracket front right with clamp			D66-5260-XX		A	pce	1		
3	Clamp			D65-5252-79		A	pce	1		
1	Tape bracket front left with clamp			D66-5261-XX		A	pce	1		
3	Clamp			D65-5252-79		A	pce	1		
2	Tape bracket back side with clamp		► 2001-01	D66-5265-XX		A	pce	2		
3	Clamp			D65-5252-79		A	pce	1		
25	Windbar with bearings 1 bar front complete			D66-5301-PC	G	B	m	1		
9	Steel cable 114 strands 3,0 mm fzb			D5105RG004	G	A	m	1		
18	Rubber ring 90 mm for end plug			D66-5202-87		A	pce	2		
20	Hub			D66-5204-90		A	pce	2		
23	End piece for catcher arm			D4421V0008		A	pce	2		
5	Bracket for front c-profile edge cover			D66-5217-91		A	pce	2		
4	Edge cover front c-profile			D66-5218-91		A	pce	2		
22	Catcher arm			D4521V0136		A	pce	2		
8	Damper for second windbar 660			D96-5220-93		A	pce	1		
15	Ground contact plate			D96-5225-90		A	pce	2		
19	Bearing coated diameter 80			D96-5237-99		A	pce	2	x	
10	Lock 3,5 mm for safety wire			D97-0008-92		A	pce	2		
16	Double-coated tape,width 25mm,vhb 4950			D97-6620-87		A	pce	4		
13,1,6	Windbar tube with tape on frontside			D66-5310-PC	G	B	m	1		
3	Clamp			D65-5252-79		A	pce	2		
18	Rubber ring 90 mm for end plug			D66-5202-87		A	pce	2		
20	Hub			D66-5204-90		A	pce	2		
19	Bearing coated diameter 80			D96-5237-99		A	pce	2	x	
7	Windbar tape, cut to length			D5105RG005	G	A	m	4	x	
	Tape for windreinforcement 1 set			D96-5270-PC		A	m	1	x	
7	Windbar tape, cut to length			D5105RG005	G	A	m	4	x	

Övrigt illustration 2.

Miscellaneous illustration 2.

Ausgleichsystem/Torbehang/Steuerung/Antrieb illu.2.



Drawing number

SP-120643-05

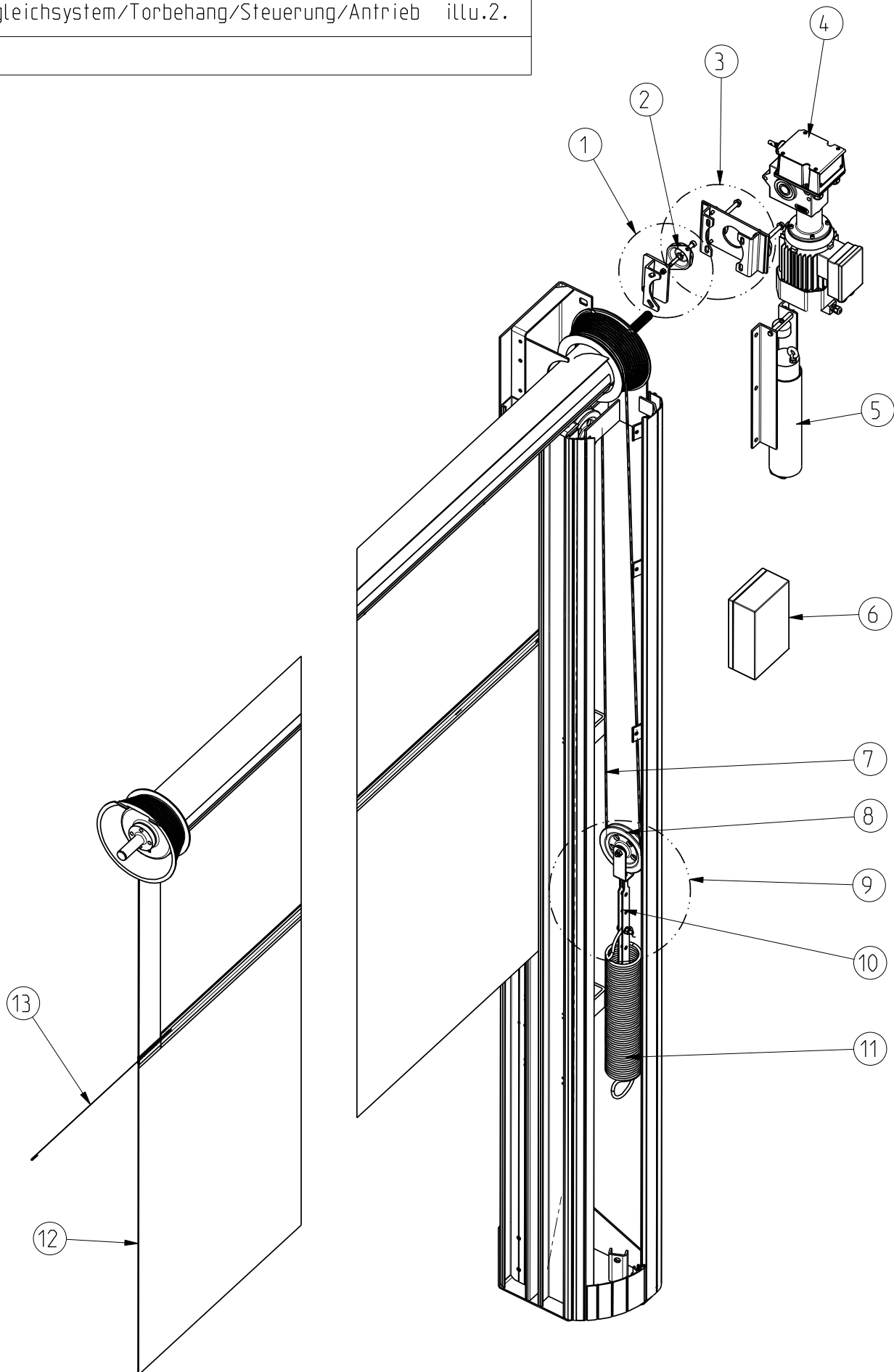
Revision 0

RR 660, Version 19			gültig ab ▲ gültig bis valid from ▲ valid to	Art.-Nr. Item-No	1	Lieferzeit Delivery time class	Einheit Unit	Anzahl pro Tor Quantity per door	Verschleißteil part / Siltetalje	Wear	
Pos.	Description	Bemerkung Note									
V	Drive unit	sp-120643-05_2									
4	Drive unit ACS 70 1,1kW Swedrive comp.	ACS70; 1,1 kW		D96-9312-XX		B	pce	1			
	Motor t80 1,10 kw 220-240v bf			D03-0702-25		A	pce	1			
	Gearbox ACS 70 comp. with transductorhouse			D03-9001-XX		B	pce	1			
	Worm gear. (swedrive)			D03-9001-25		A	pce	1			
	Coupling,bowex j19 19/19			D03-0095-25		A	pce	1			
	Drive unit ACS 70 1,5 kW Swedrive comp.	ACS70; 1,5 kW		D96-9315-XX		B	pce	1			
	Motor 1,5 kw 220/380v without brake			D03-0704-25		A	pce	1			
	Worm gear. (swedrive)			D03-9002-25		A	pce	1			
	Coupling,bowex j19 19/19			D03-0097-25		A	pce	1			
	Brake 14 nm 5ue010252s11cb	ACS70; 1,1 kW + 1,5 kW		D03-0132-25		A	pce	1			
	Key 4x4x12, brake			D03-0084-25		A	pce	2			
	Steel cable w. pvc 35tr 1.83.0			D5105RG006	G	A	m	1			
	Lock 3,5 mm for safety wire			D97-0008-92		A	pce	2			
	Pulse transducer disc with hub ACS 70			D3201V0006		A	pce	1			
	Hub for puls transducer disc			D03-0052-25		A	pce	1			
	Puls transducer board 88-22			D03-0067-25		A	pce	1			
	Cover, upper, cast housing			D03-0070-25		A	pce	1			
	Microswitch Burges v4nt7y2 Nomadrive			D03-0124-25		A	pce	1			
	Gasket inspectionplate			D03-0101-25		A	pce	1			
	Gasket upper cover			D03-0102-25		A	pce	1			
	Gasket gear			D03-0103-25		A	pce	1			
	Inspectionplate			D03-0104-25		A	pce	1			
	Gaiters			D03-0110-25		A	pce	1			
	Disconnection handle 50 mm			D00-9311-25		A	pce	1			
	Tension spring for break release			D28-6804-01		A	pce	1			
	Accessories Ovitor 5 drive unit										
	Shock absorber, Vulcolan e82				D96-3671-79		A	pce	1	x	
	Shock absorb. R24 Pur 64 shore D-F green			D96-3672-99		A	pce	1	x		
	Coupling R24 28x24			D96-3683-99		A	pce	1			
	Motor bracket Ovitor 5. 660/420			D96-4817-99		A	pce	1			
	Brake disc with lining	Motor 00-0744-25, 00-0745-25		D00-0903-25		A	pce	1			
	Brake disc 744 id=20	Motor 00-0744-25, 00-0745-25		D00-0904-25		C	pce	1			
	Flange 221	Motor 00-0744-25		D6611R0001		A	pce	1			
	Flange 2371	Motor 01-7610-90, 01-7620-90		D6611R0002		A	pce	1			
Accessories Ovitor 8 drive unit											
	Shock absorber, Vulcolan e97			D96-3691-83		A	pce	1	x		
	Shock absorb. R28 Pur 64 shore D-F green			D96-3692-99		A	pce	1	x		
	Coupling R28 28x32			D96-3693-99		A	pce	1			
	Motor bracket Ovitor 8. 660/420			D96-4818-99		A	pce	1			
	Brake disc with lining	Motor 01-7612-90, 01-7620-90		D00-0903-25		A	pce	1			
	Brake disc 75* id=25	Motor 01-7612-90, 01-7620-90		D00-0905-25		C	pce	1			

Övrigt illustration 2.

Miscellaneous illustration 2.

Ausgleichsystem/Torbehang/Steuerung/Antrieb illu.2.



Drawing number

SP-120643-05

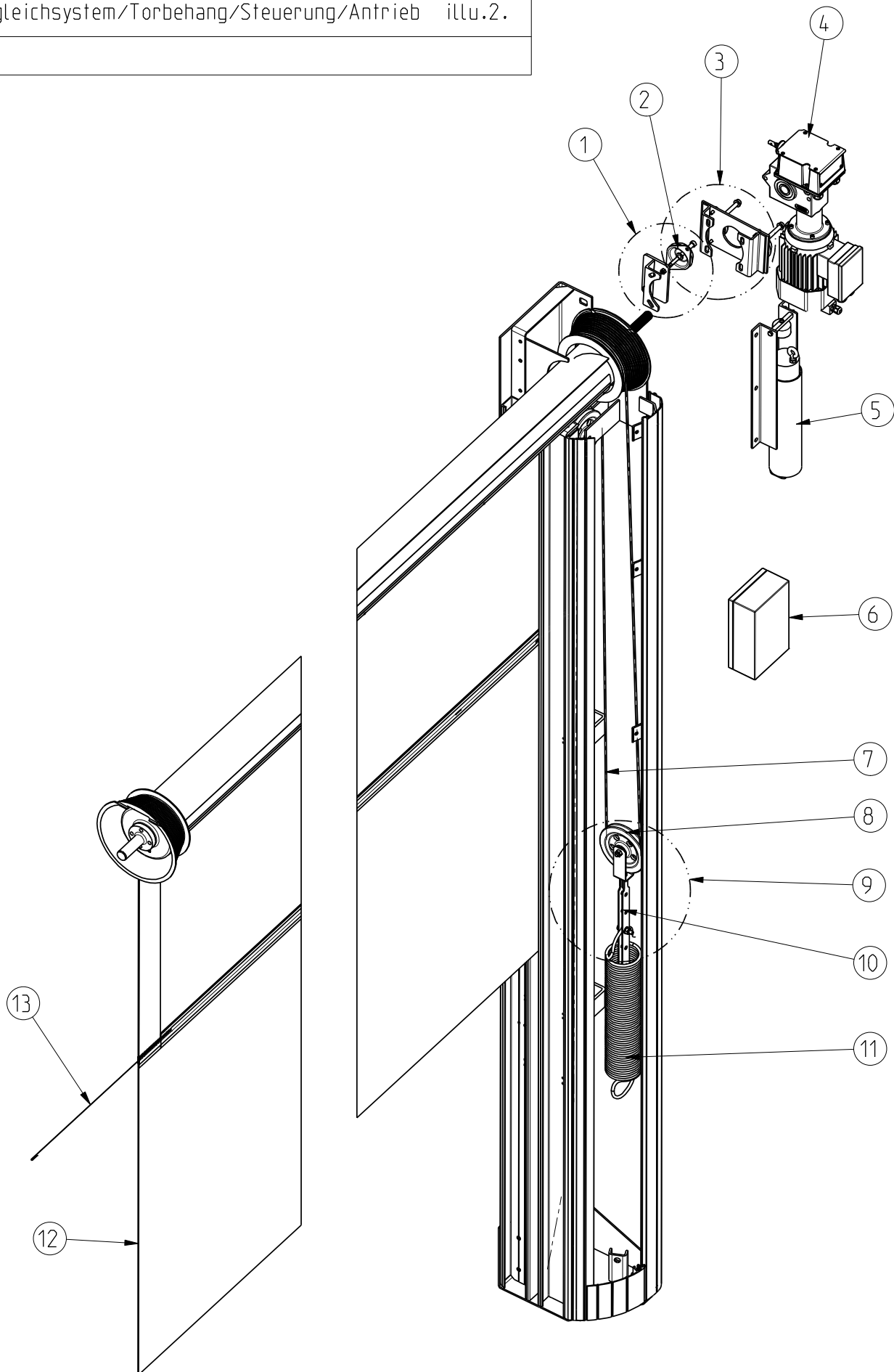
Revision 0

RR 660, Version 19			gültig ab ▲ gültig bis valid from ▲ valid to	Art.-Nr. Item-No	1	Lieferzeit Delivery time class	Einheit Unit	Anzahl pro Tor Quantity per door	Verschleißteil part / Sliedetail	Wear
Pos.	Description	Bemerkung Note								
VI	Balancing system, door blade, control box	sp-120643-05_2								
	Steel cable, balancingsystem									
7	Steel cable 16 m			D5105V0006		A	pce	2	x	
7	Steel cable 18 m			D5105V0007		A	pce	2	x	
7	Steel cable 22 m			D5105V0009		A	pce	2	x	
7	Steel cable 29 m			D5105V0011		A	pce	2	x	
7	Steel cable 32 m			D5105R0075		A	pce	2	x	
	Springs, balancing system									
11	Spring L= 600 100/8			D4802V0001		A	pce	2		
11	Spring L= 950 100/10			D4802V0002		A	pce	2		
11	Spring L= 1330 100/10			D4802V0003		A	pce	2		
11	Spring L= 2000 100/10			D4802V0004		A	pce	2		
11	Spring L= 1600 130/13			D4802V0005		A	pce	2		
11	Spring L= 2000 130/13			D4802V0006		A	pce	2		
9	Spring tensioner with cable pulley comp.			D96-2400-XX		A	pce	2	x	
8	Cable pulley with 2 bearings complete			D4121V0021		A	pce	1	x	
10	Spring tensioner, 5 holes			D96-2410-80		A	pce	1		
12	Door blade complete 400, 420, 650, 660			D3401VG001		G	B	pce	1	
	Curtain PVC	Base price						pce		
		upcharge							m ²	
	RollTex-Plus without window	Base price							pce	
		upcharge							m ²	
	Group RollTex Original without window	Base price							pce	
		upcharge							m ²	
	Curtain RollTex Original fine	upcharge						m ²		
	Curtain RollTex Original fine painted	upcharge						m ²		
	Curtain RollTex Original coarse	upcharge						m ²		
	Curtain RollTex Original coarse painted	upcharge						m ²		
	Curtain RollTex flameproof	upcharge						m ²		
	Curtain NomaTex	Base price							pce	
		upcharge							m ²	
	Window horizontal								pce	
Window vertical								pce		
Window anti UV								pce		
Vision area for doorblade Nomatex								m / w		

Övrigt illustration 2.

Miscellaneous illustration 2.

Ausgleichsystem/Torbehang/Steuerung/Antrieb illu.2.



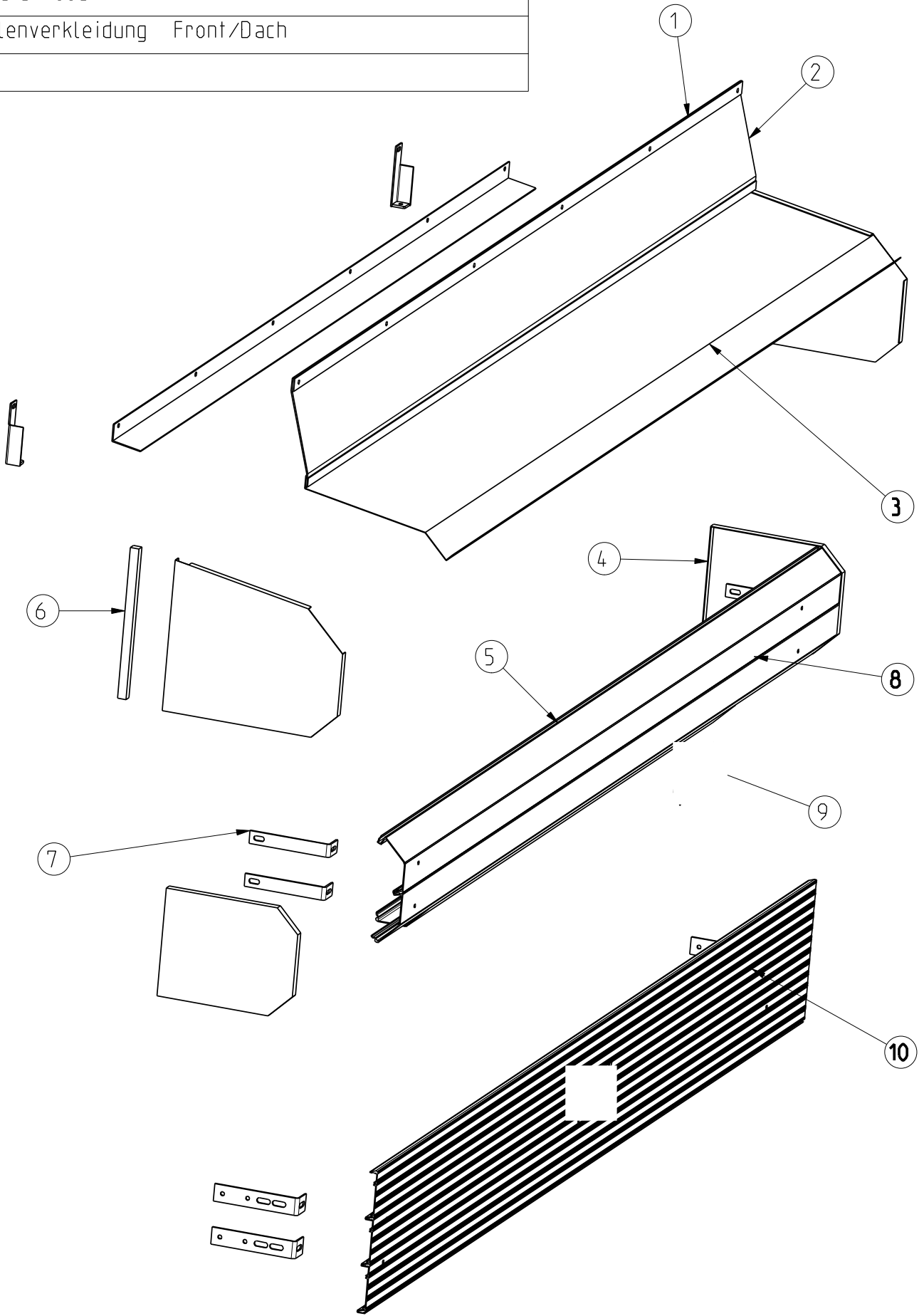
Drawing number

SP-120643-05

Revision 0

RR 660, Version 19			gültig ab ▲ gültig bis valid from ▲ valid to	Art.-Nr. Item-No	1	Lieferzeit Delivery time class	Einheit Unit	Anzahl pro Tor Quantity per door	Verschleißteil part / Slltdetalje	Wear
Pos.	Description	Bemerkung Note								
VI	Balancing system, door blade, control box	sp-120643-05_2								
1	Torque arm with shock absorber			D96-4826-XX		A				
2	Vibration damper ra100-b + bolt			D96-4830-91		A	pce	1		
3	Torquearm,double,with shock absorber			D96-4827-XX		A				
2	Vibration damper ra100-b + bolt			D96-4830-91		A	pce	2		
5	Automatic disengagement complete			D96-7700-PC	G	E				
	Steel cable w. pvc 35tr 1.83.0			D5105RG006	G	A	m	1		
	Cable joint flat for 2,3 mm			D00-9302-01		A	pce	2		
	Shock absorber sts, 420 door			D42-1572-95		A	pce	1		
	Electro magnet 10320-05c00 24v d			D96-7701-97		E	pce	1		
	Transformer enclosed 220/24v 25v			D96-7704-88		E	pce	1		
	Emergency opening aut. Disengage, sign			D97-6747-01		A	pce	1		
	Sticker "Emergency opening" for english			D97-6747-02		A	pce	1		
	Sticker "Emergency opening" for german			D97-6747-03		A	pce	1		
	Sticker "Emergency opening" for french			D97-6747-04		A	pce	1		
	Emergency lever ACS70			D8170RG041	G	B	pce	1		
6	Controlbox complete			D96-8500-PC		B	pce	1		

Front/Tak
Fascia/hood
Ballenverkleidung Front/Dach



RR 660, Version 19			gültig ab ► gültig bis valid from ► valid to	Art.-Nr. Item-No	1	Lieferzeit Delivery time class	Einheit Unit	Anzahl pro Tor Quantity per door	Verschleißteil Wear part / Slitdetalje
Pos.	Description	Bemerkung Note							
VII	Fascia/Hood	sp-120642-05							
8	Fascia complete, ACS 70, from -95.w01		1995-01 ►	D66-4952-PC	G	B	m	1	
7	Bracket for fascia			D66-4999-94		A	pce	4	
4	Yellow gable for fascia			D96-4955-11		A	pce	2	
4	Red gable for fascia			D96-4955-12		A	pce	2	
9				D6403V0001		A	pce	1	
8	Fascia complete, Ovitor, from -95.w01		1995-01 ►	D66-4953-PC	G	B	m	1	
7	Bracket for fascia			D66-4999-94		A	pce	4	
4	Yellow gable for fascia			D96-4955-11		A	pce	2	
4	Red gable for fascia			D96-4955-12		A	pce	2	
9				D6403V0001		A	pce	1	
3	Hood complete, ACS 70, from -95.w01		1995-01 ►	D66-4970-PC	G	B	m	1	
6	Foam seal 20x20 mm			D4402RG007	G	A	pce	1	
2	Rubber mat 250 t=3 neopren			D4402RG008	G	A	m	1	
10	Fascia (Flat), complete, to -94.w52		► 1994-12	D66-4979-PC	G	B	m	1	
9				D6403V0001		A	pce	1	
3	Hood complete, Ovitor, from -95.w01		1995-01 ►	D66-4980-PC	G	B	m	1	
6	Foam seal 20x20 mm			D4402RG007	G	A	pce	1	
2	Rubber mat 250 t=3 neopren			D4402RG008	G	A	m	1	

Legend	
1	
S	No automatic price calculation
Delivery time	
A	Within 24 hours
B	2-3 Workdays
C	5-8 Workdays
D	10-14 Workdays
Wear parts	
x	Standard wear with time/use

