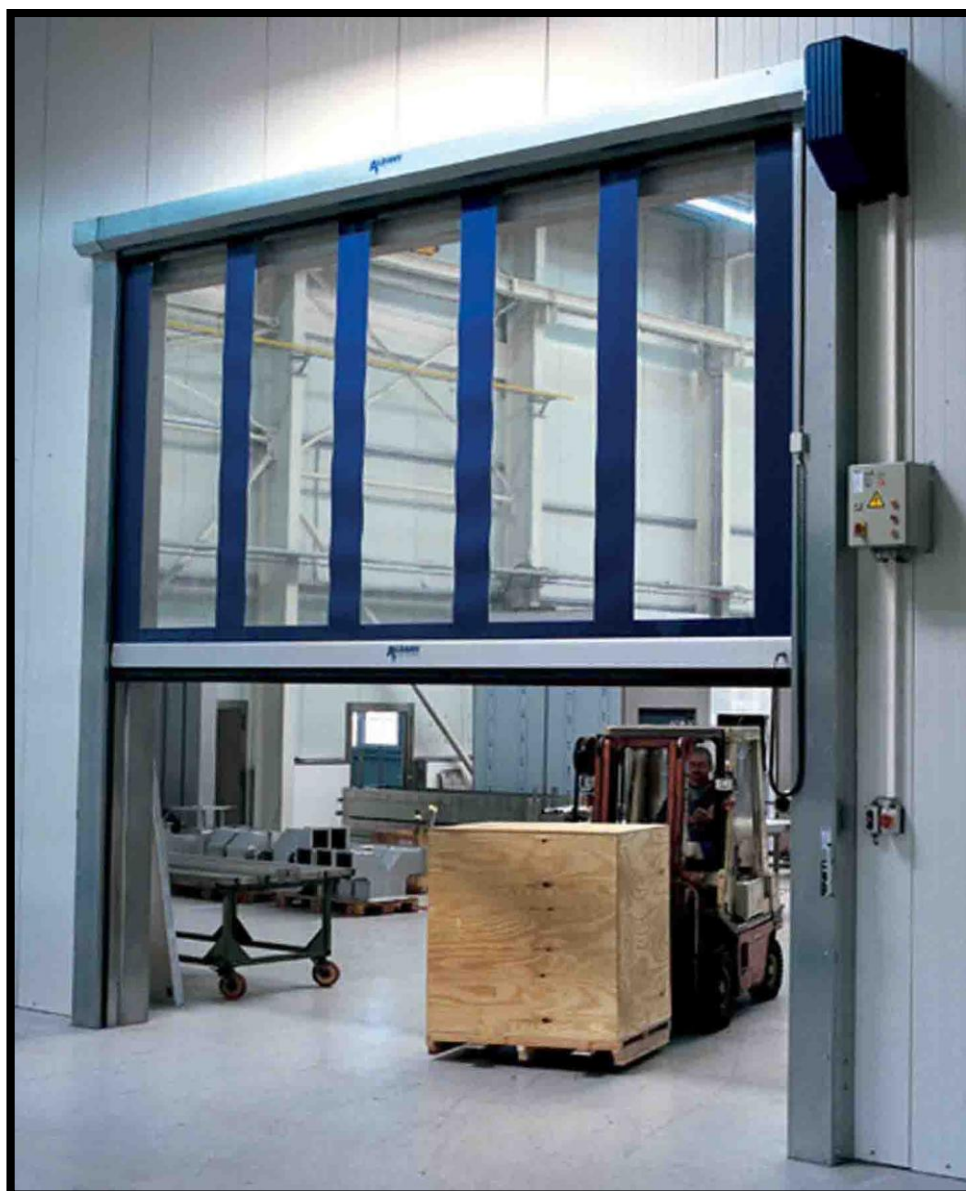
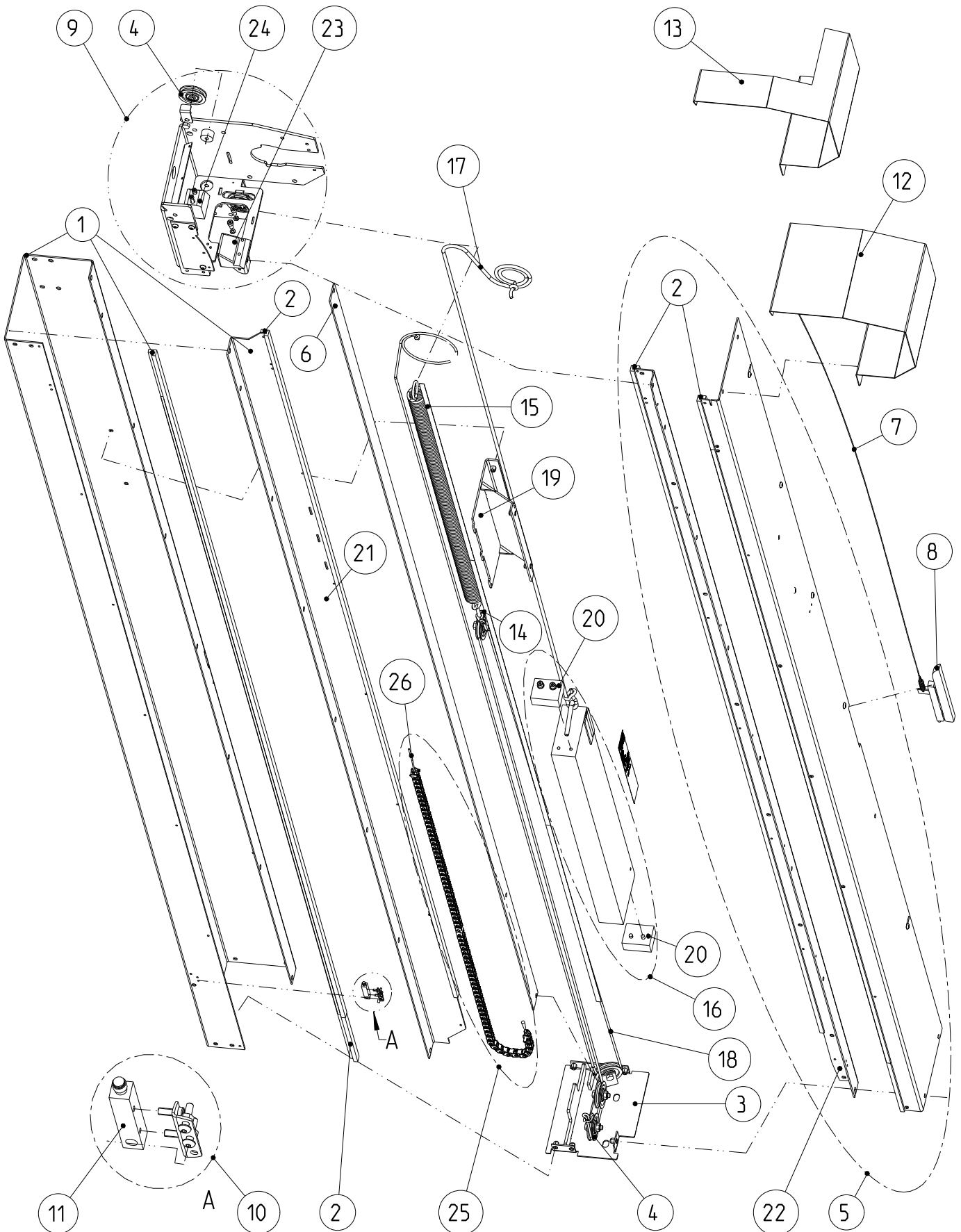


Spare part list
RR 392



Side frame right
Seitenteil rechts

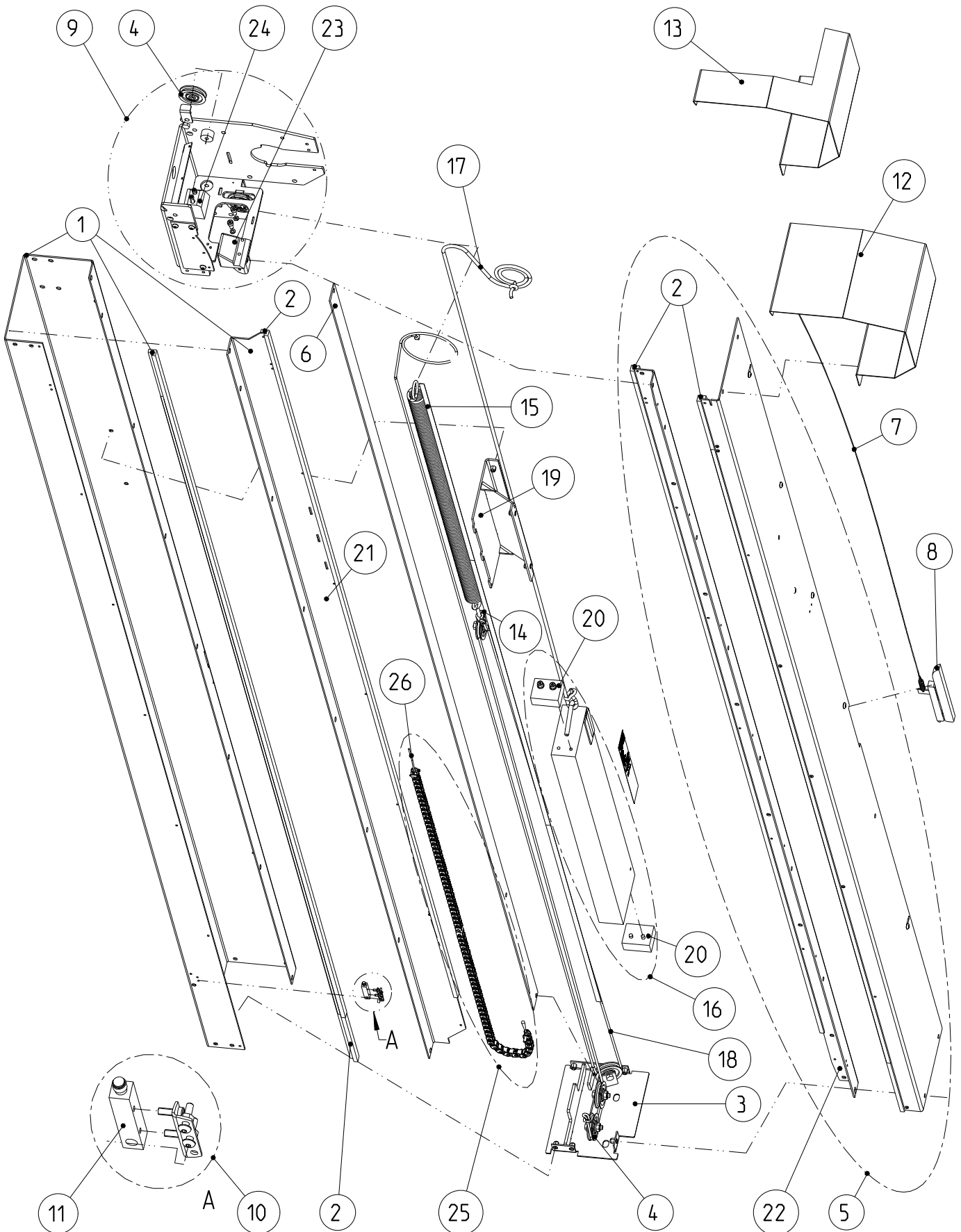
RR392
RR392



RR 392 Version 15									
Pos. Item	Description	Bemerkung Note	gültig ab valid from	Art.-Nr. Item-No	1	Delivery time class	Einheit Unit	Anzahl pro Tor Quantity per door	Wear part / Slitdetailje
I	Side frame right								
	Sideframe complete			D8220RG197	G	C	Stck./pc.	1	
		Base price					m		
		Upcharge							
1	RH support profile		► 2004-03	D8520RG008	G	C	m	1	
	RH support profile		2004-04 ►	D8520RG006	G	C	m	1	
2	Sliding rail 3000 mm long			D4121R0032		A	Stck./pc.	max 12	x
3	RH bottom plate			D8120R0029		A	Stck./pc.	1	
4	Rope pulley			D5003R0001		A	Stck./pc.	6	x
5	Cover profile with middleprofile RH		► 2004-03	D8220RG234	G	C	m	1	
	Cover profile with middleprofile RH		2004-04 ►	D8220RG232	G	C	m	1	
6	RH Catching device		2004-04 ►	D4521RG140	G	C	Stck./pc.	1	
7, 8	Emergency lever			D8220R0055		B	Stck./pc.	1	
9	RH head plate for door blade without segments			D8120R0031		B	Stck./pc.	1	
	RH head plate for door blade with segments			D8120R0027		B	Stck./pc.	1	
10	Photocell transmitter with bracket			D8420R0010		A	Stck./pc.	1	
11	Photocell transmitter without bracket			D4904R0211		A	Stck./pc.	1	
12	Upper cover for standard drive			D4521R0150		A	Stck./pc.	1	
13	Upper cover for chain drive			D4521R0850		A	Stck./pc.	1	
14	Deflection spring			D8120R0008		A	Stck./pc.	1	
15	Spring d=5mm			D4802R0003		A	Stck./pc.	1	
16	Weight with distance spacer			D8120R0034		B	Stck./pc.	1	
17	Rope for counter balance								
	Rope d=7mm, L=5100mm	DH<=4500		D5105R0010		A	Stck./pc.	1	x
	Rope d=7mm, L=5100mm	DH>4500		D5105R0011		A	Stck./pc.	1	x
18	Rope for curtain tension								
	Rope d=5mm, L=4000mm	L= 4 x DH-500		D5105R0030		A	Stck./pc.	1	x
	Rope d=5mm, L=8000mm	L= 4 x DH-500		D5105R0031		A	Stck./pc.	1	x
	Rope d=5mm, L=12000mm	L= 4 x DH-500		D5105R0032		A	Stck./pc.	1	x
	Rope d=5mm, L=16000mm	L= 4 x DH-500		D5105R0033		A	Stck./pc.	1	x
	Rope d=5mm, L=20000mm	L= 4 x DH-500		D5105R0034		A	Stck./pc.	1	x
	Rope d=5mm, L=24000mm	L= 4 x DH-500		D5105R0035		A	Stck./pc.	1	x
19	Stiffening		2004-04 ►	D4521R1056		A	Stck./pc.	max 2	
	Stiffening		► 2004-03	D4521R1056		A	Stck./pc.	max 3	
20	Distance spacer			D4121R0033		A	Stck./pc.	2	x
21	Middelprofile for RH support profile			D4521RG134	G	C	Stck./pc.	1	
22	Middelprofile for RH front cover			D4521RG081	G	C	Stck./pc.	1	
23	Bell mouth Segment door blade			D4121R0025		A	Stck./pc.	1	x
	Bell mouth RH Plast door blade			D4121R0391		A	Stck./pc.	1	x
24	Bell mouth back			D4121R0024		A	Stck./pc.	1	x
25	Cable chain with Cable			D8520RG009	G	A	Stck./pc.	1	
26	Connecting cable 6000mm	DH<=4500		D4907R0029		A	Stck./pc.	1	
	Connecting cable 10000mm	DH>4500		D4907R0032		A	Stck./pc.	1	

Side frame right
Seitenteil rechts

RR392
RR392

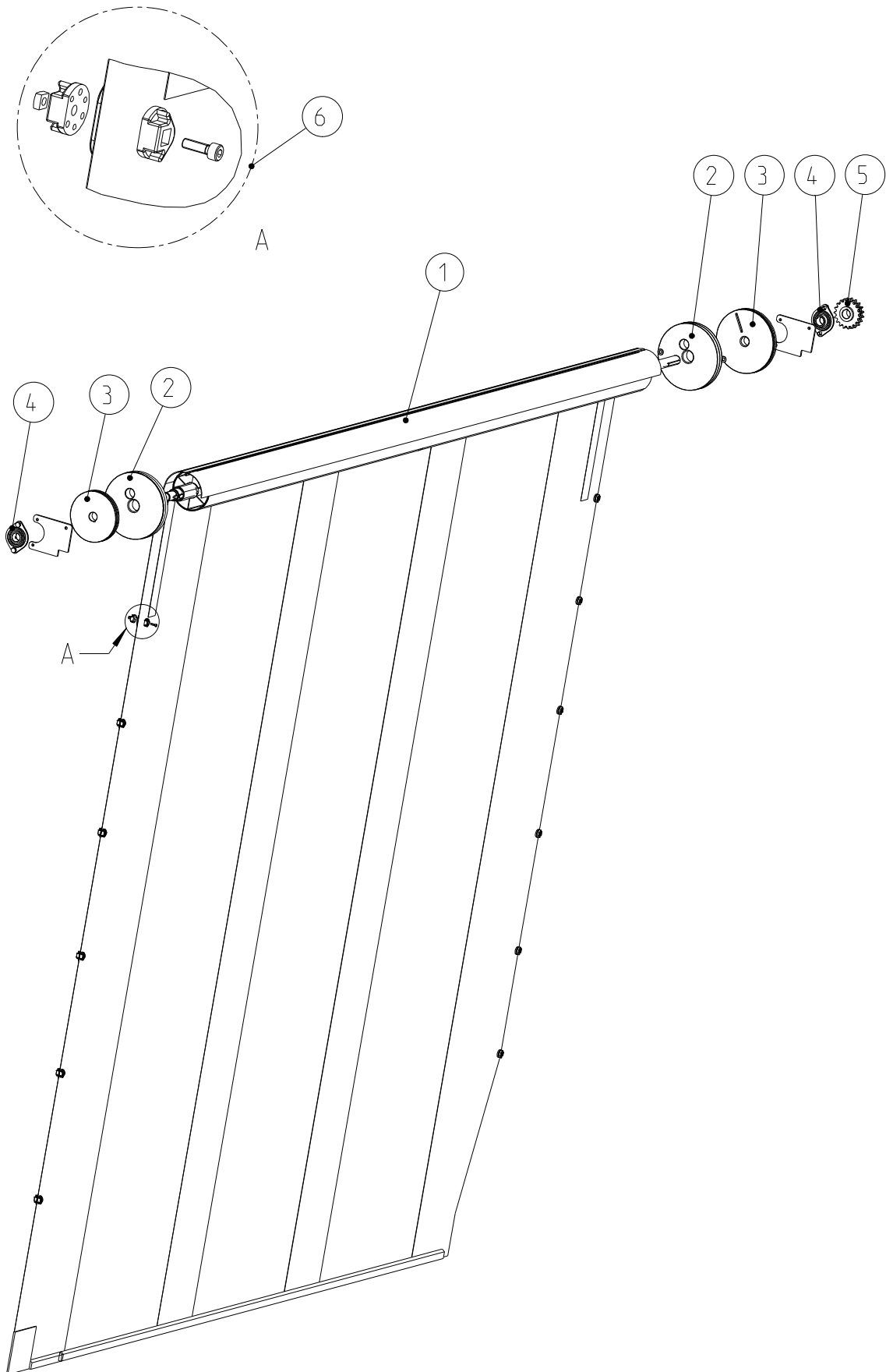


RR 392 Version 15				gültig ab ► gültig bis valid from ► valid to			Delivery time class			Anzahl pro Tor Quantity per door	Verschleißteil part / Sliedetaile	Wear
Pos. Item	Description	Bemerkung Note	Art.-Nr. Item-No		1	Einheit Unit						
II	Side frame left (See drawing side frame ri)											
	Side frame complete		D8220RG198		G	C		1				
		Base price						Stck./pc.				
		Upcharge						m				
1	LH support profile		► 2004-03 D8520RG007		G	C		m	1			
	LH support profile		2004-04 ► D8520RG005		G	C		m	1			
2	Sliding rail 3000 mm long		D4121R0032			A		Stck./pc.	12		x	
3	LH bottom plate		D8120R0030			B		Stck./pc.	1			
4	Rope pulley		D5003R0001			A		Stck./pc.	6		x	
5	Cover profile with middleprofile LH		► 2004-03 D8220RG235		G	C		m	1			
	Cover profile with middleprofile LH		2004-04 ► D8220RG233		G	C		m	1			
6	LH Catching device		D4521RG142		G	C		Stck./pc.	1			
9	LH head plate for curtain without segments		D8120R0032			B		Stck./pc.	1			
	LH head plate for curtain with segments		D8120R0028			B		Stck./pc.	1			
10	Photocell receiver with bracket		D8420R0011			A		Stck./pc.	1			
11	Photocell receiver without bracket		D4904R0283			A		Stck./pc.	1			
12	Upper cover for standard drive		D4521R0150			A		Stck./pc.	1			
13	Upper cover for chain drive		D4521R0851			A		Stck./pc.	1			
14	Deflection spring		D8120R0008			A		Stck./pc.	1			
15	Spring d=5mm		D4802R0003			A		Stck./pc.	1			
16	Weight with distance spacer		D8120R0038			B		Stck./pc.	1			
17	Rope for counter balance											
	Rope d=7mm, L=5100mm	DH<=4500	D5105R0010			A		Stck./pc.	1		x	
	Rope d=7mm, L=5100mm	DH>4500	D5105R0011			A		Stck./pc.	1		x	
18	Rope for curtain tension											
	Rope d=5mm, L=4000mm	L= 4 x DH-500	D5105R0030			A		Stck./pc.	1		x	
	Rope d=5mm, L=8000mm	L= 4 x DH-500	D5105R0031			A		Stck./pc.	1		x	
	Rope d=5mm, L=12000mm	L= 4 x DH-500	D5105R0032			A		Stck./pc.	1		x	
	Rope d=5mm, L=16000mm	L= 4 x DH-500	D5105R0033			A		Stck./pc.	1		x	
	Rope d=5mm, L=20000mm	L= 4 x DH-500	D5105R0034			A		Stck./pc.	1		x	
	Rope d=5mm, L=24000mm	L= 4 x DH-500	D5105R0035			A		Stck./pc.	1		x	
19	Stiffening		2004-04 ► D4521R1056			A		Stck./pc.	max 2			
	Stiffening		► 2004-03 D4521R1056			A		Stck./pc.	max 3			
20	Distance spacer		D4121R0033			A		Stck./pc.	2		x	
21	Middelprofile for LH support profile		D4521RG135		G	C		Stck./pc.	1			
22	Middelprofile for LH front cover		D4521RG082		G	C		Stck./pc.	1			
23	Bell mouth Segment door blade		D4121R0025			A		Stck./pc.	1		x	
	Bell mouth LH Plast door blade		D4121R0392			A		Stck./pc.	1		x	
24	Bell mouth back		D4121R0024			A		Stck./pc.	1		x	
25	Cable chain with Cable		D8520RG009		G	A		Stck./pc.	1			
26	Connecting cable 6000mm	DH<=4500	D4907R0029			A		Stck./pc.	1			
	Connecting cable 10000mm	DH>4500	D4907R0032			A		Stck./pc.	1			

Top roll with curtain

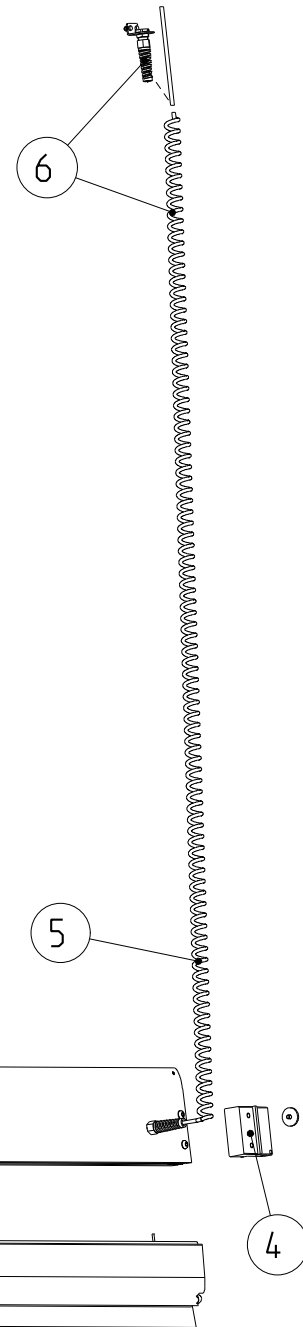
Wickelwelle mit Torbehang

Valsrör med portblad

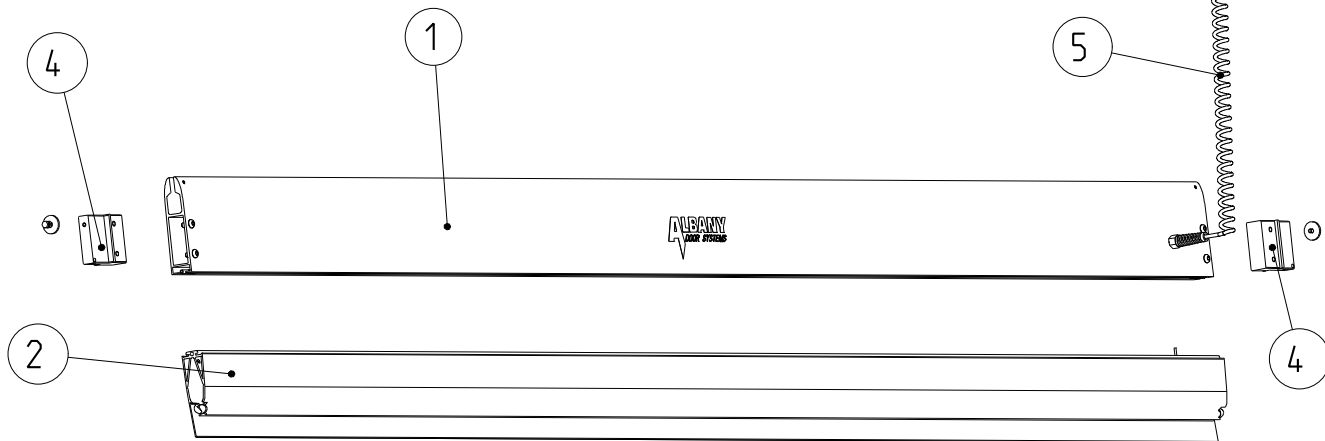


RR 392 Version 15			gültig ab ▲ gültig bis valid from ▲ valid to			Delivery time class			Anzahl pro Tor Quantity per door	Verschleißteil part / Sliedetaile	Wear
Pos. Item	Description	Bemerkung Note		Art.-Nr. Item-No	1		Einheit Unit				
III	Top roll with curtain										
1	Top roll with curtain PVC, without segments		D8240RG007	G				1			
	Base price	DW <= 4500			C	Stck./pc.					
	Base price	DW > 4500			D	Stck./pc.					
	Barrel					m/B					
	additional per m²	blue or red				m²					
	additional per m²	special colour				m²					
	additional per m²					m²					
	Window vertical / horizontal					Stck./pc.					
	Curtain PVC	only for export		D8230RG015	G	C	m²	1			
	RollTex-Plus without window			D8230310	G	C	m²	1			
	RollTex-Plus with window			D8230310	G	C		1			
	Baseprice						m²				
	window horizontal			D8240014			Stck./pc.				
window vertical			D8240014			Stck./pc.					
2	Rope pulley d=130mm	DH<=4500 mm curtain tension	D4701R0228		A	Stck./pc.	2				
	Rope pulley d=125mm	DH>4500 mm curtain tension	D4701R0229		A	Stck./pc.	2				
3	Rope pulley d=50mm	DH<=4500 mm for weight	D4701R0224		A	Stck./pc.	2				
	Rope pulley d=65mm	DH>4500 mm for weight	D4721R0003		A	Stck./pc.	2				
4	Flange bearing D 30		D8140R0005		A	Stck./pc.	2				
5	Chain wheel		D5101R0091		A	Stck./pc.	1				
6	Windbreaktap (12 pcs)		D8130R0009		A	Satz/Set	max 2	x			

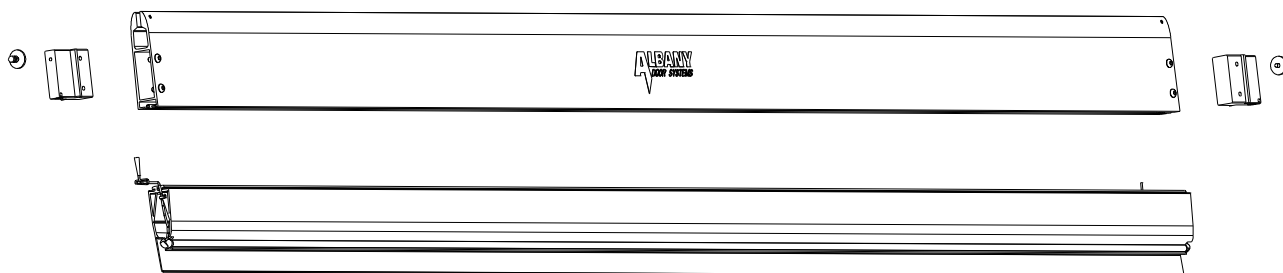
Bottom profile with safety edge	RR392
Abschlussprofil mit Kontaktleiste	
Bottenbalk med klämmskydd	



Spiralkabel / Coily cable



Kabelschlepp / Cable chain

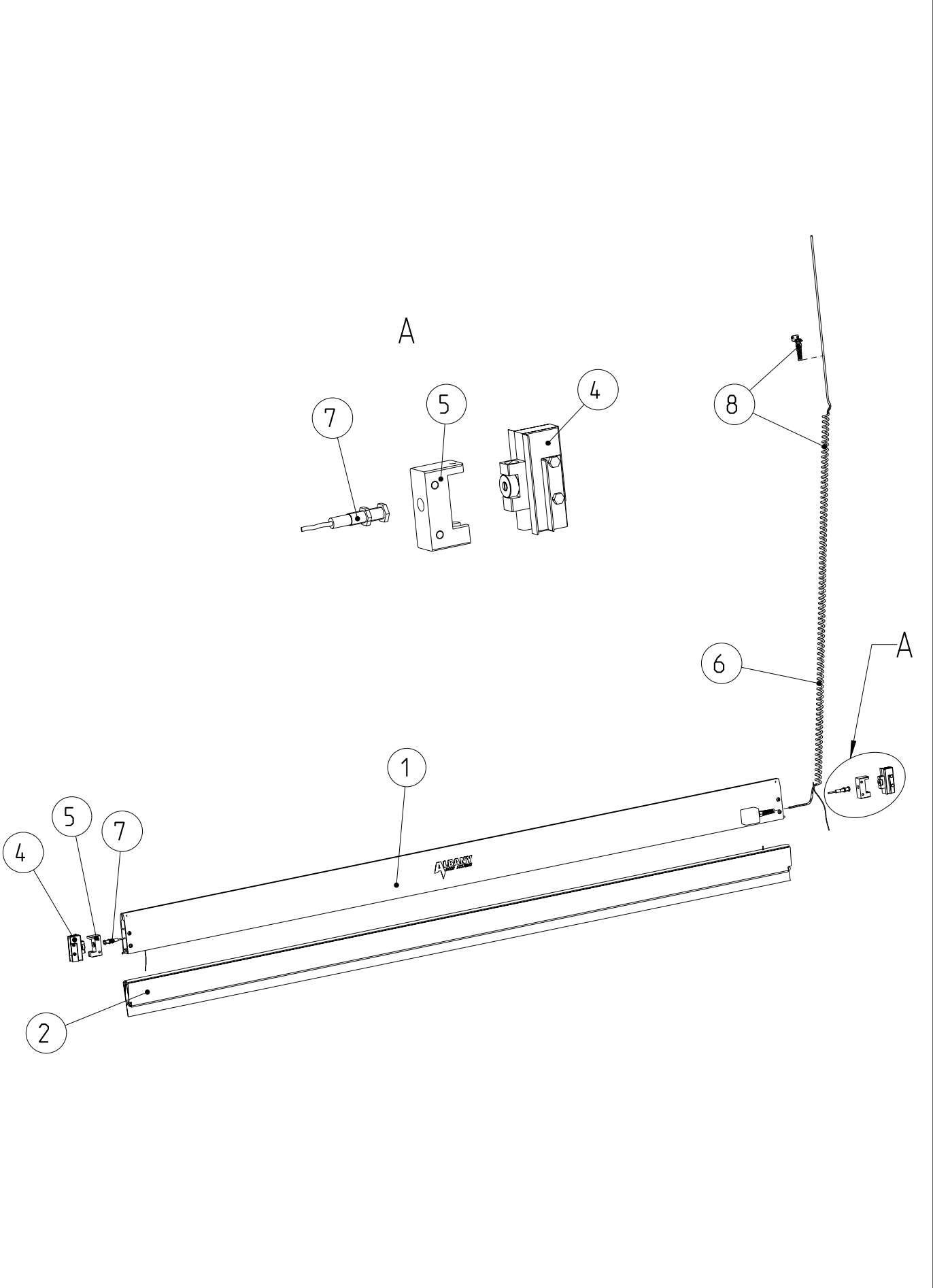


RR 392 Version 15			gültig ab ▲ gültig bis valid from ▲ valid to			Delivery time class			Anzahl pro Tor Quantity per door	Verschleißteil part / Slidetailje	Wear
Pos. Item	Description	Bemerkung Note		Art.-Nr. Item-No	1		Einheit Unit				
IV	Bottom profile with safety edge										
	Bottom profile cpl std with coil cable / cable chain		D8550RG051	G	B	m		1			
1	Bottom profile cut-to-size, standard-version		D4721RG031	G	B	m		1			
2	Rubber profile cut-to-size		D4421RG036	G	B	m		1			
	Rubber profile elongated sealing-lip		D4421RG037	G	C	m		1			
4	Sliding part complete for standard-version		D4721R0026		A	Stck./pc.		2			
5	Coil cable 5x0,75		D4907R0038		A	Stck./pc.		1			
6	Coil cable with cable gland		D8250R0001		A	Stck./pc.		1			

Bottom profile w. safety edge crash RR392

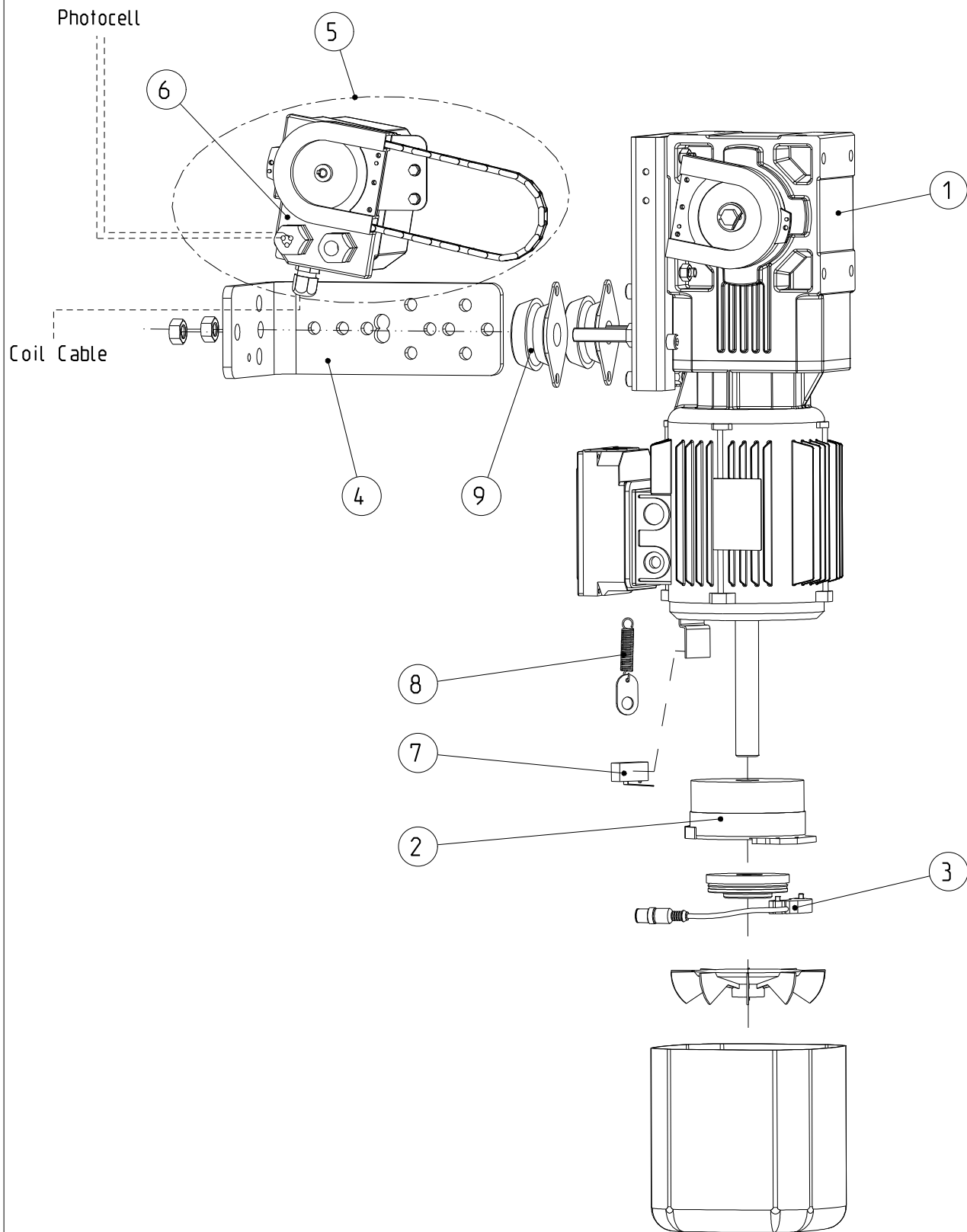
Abschlussprofil mit Kontaktl. crash

Bottenbalk med Klämmskyd crash



RR 392 Version 15			gültig ab ▲ gültig bis valid from ▲ valid to			Delivery time class			Anzahl pro Tor Quantity per door	Verschleißteil part / Slitdetailje	Wear
Pos. Item	Description	Bemerkung Note		Art.-Nr. Item-No	1		Einheit Unit				
V	Bottom profile w. safety edge crash										
	Bottom profile complete -crash- with coil cable		D8550RG052	G	B	m		1			
1	Bottom profile cut-to-size, crash-version		D4721RG032	G	B	m		1			
2	Rubber profile cut-to-size		D4421RG036	G	B	m		1			
	Rubber profile elongated sealing-lilp		D4421RG037	G	C	m		1			
4	Sliding part outside for crash-version		D8150R0054		A	Stck./pc.		2			
5	Sliding part inside for crash-version		D4721R0025		A	Stck./pc.		2			
6	Coil cable 5x0,75		D4907R0038		A	Stck./pc.		1			
7	Proximity switch		D4905R0017		A	Stck./pc.		2			
8	Coil cable with cable gland		D8250R0001		A	Stck./pc.		1			

Drive unit	RR392
Antrieb	RR392



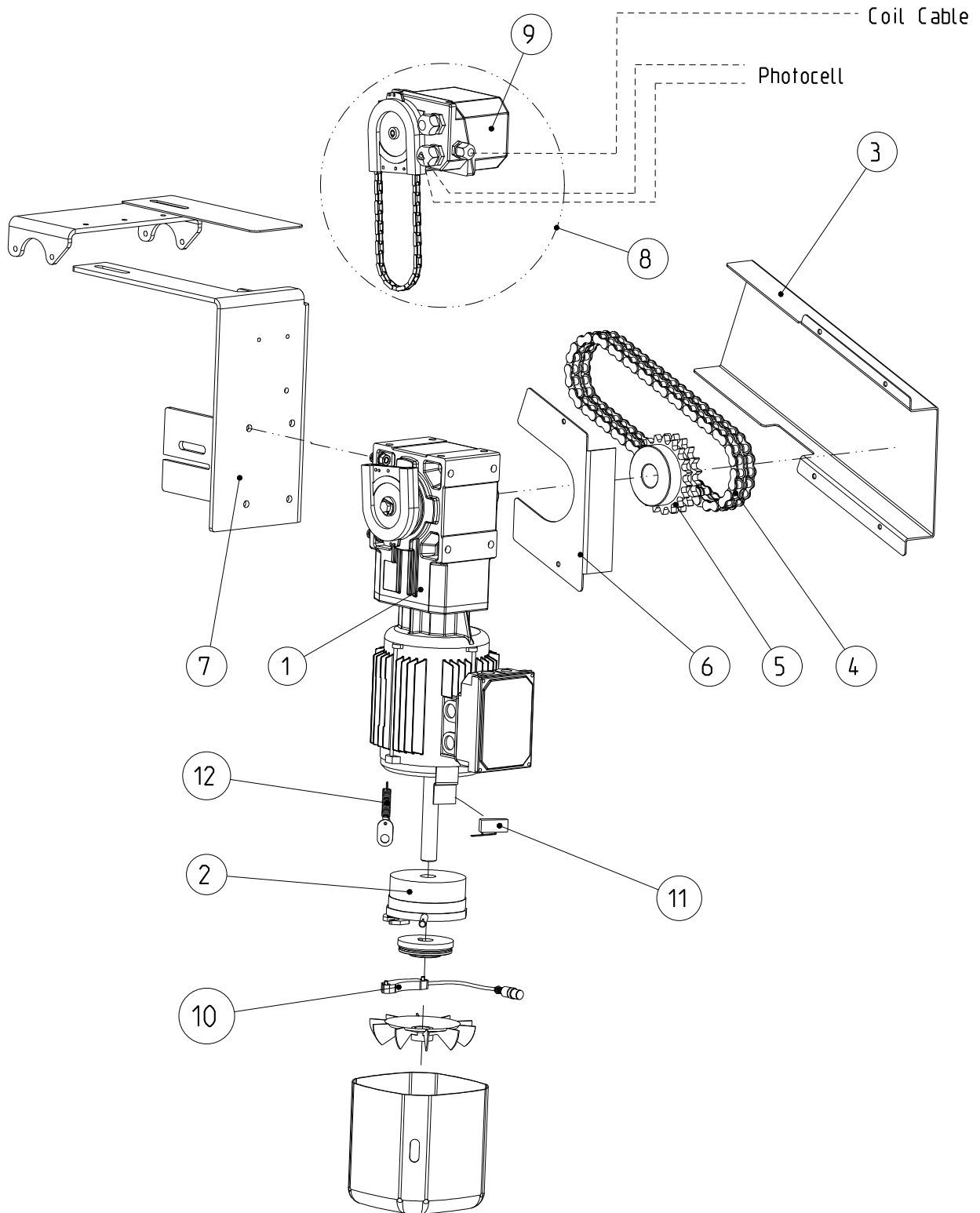
RR 392 Version 15			gültig ab ▲ gültig bis valid from ▲ valid to			Delivery time class			Anzahl pro Tor Quantity per door	Verschleißteil part / Sliedetaile	Wear
Pos. Item	Description	Bemerkung Note		Art.-Nr. Item-No	1		Einheit Unit				
VI	Drive unit										
	Drive unit complete		D8410RG071	G	C	Stck./pc.		1			
1	Gear motor 220-230/400-415V-ACS50, 50Hz		D8910R0058		B	Stck./pc.		1			
	Gear motor 220-230/400-415V-ACS50, 60Hz		D8910R0059		B	Stck./pc.		1			
	Gear motor 220-230/400-415V-ACS60/ACS80		D8910R0048		B	Stck./pc.		1			
	Gear motor 220-230/400-415V-MCC		D8910R0078		B	Stck./pc.		1			
2	Brake 15 Nm 196V DC HL		D6622R0018		A	Stck./pc.		1		x	
3	Double Proximity switch	ACS 60, 80	D4905R0019		A	Stck./pc.		1			
	Encoder 50 pulses, only electronic part	MCC	D4904R0450		A	Stck./pc.		1			
	Encoder 50 pulses cpl	MCC	D8410R0066		A	Stck./pc.		1			
4	Torque arm		D4521R0776		A	Stck./pc.		1			
5	Limit switch complete for drive unit standard	ACS 50, 60, 80, MCC	D8410R0004		B	Stck./pc.		1			
	Limit switch complete for drive unit standard	without control	D8410R0069		B	Stck./pc.		1			
6	Limit switch	ACS 50, 60, 80, MCC	D4906R0007		A	Stck./pc.		1			
	Limit switch	without control	D4906R0067		A	Stck./pc.		1			
7	Microswitch		D6621R0002		A	Stck./pc.		1			
8	Spring 2,2x11x48		D4802R0004		A	Stck./pc.		1			
9	Dumper		D5004R0041		A	Satz/set		1			
10	Control cable	ACS 50	D8903RG144	G	B			1			
		Base Price				Stck./pc.					
		Upcharge				m					
	Control cable	ACS 60, 80	D8830RG002	G	B			1			
		Base Price				Stck./pc.					
		Upcharge				m					
	Control cable	MCC	D8903RG145	G	B			1			
		Base Price				Stck./pc.					
	Upcharge				m						

Chain drive

RR392

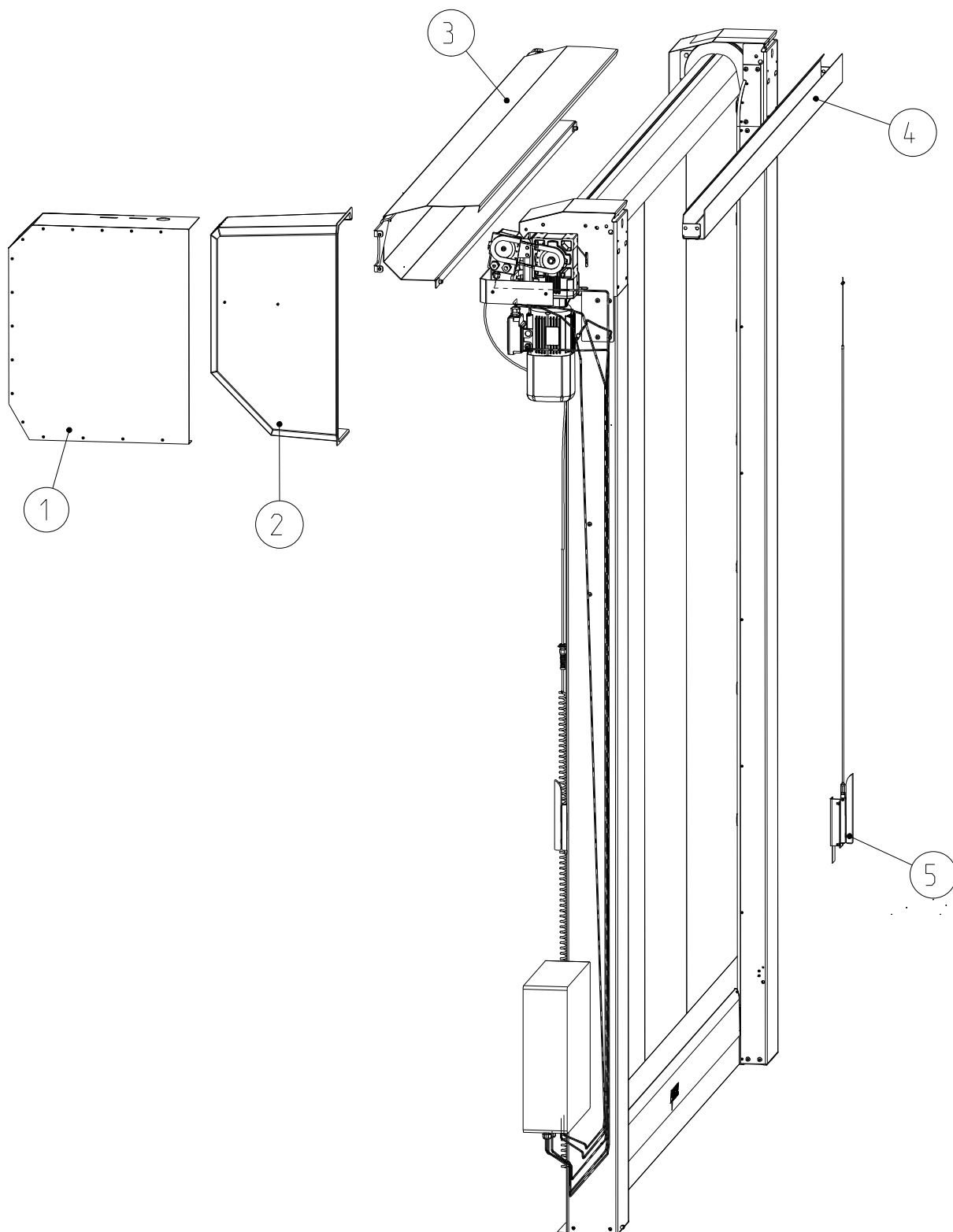
Antrieb Kette

RR392



RR 392 Version 15			gültig ab ▲ gültig bis valid from ▲ valid to			Delivery time class			Anzahl pro Tor Quantity per door	Verschleißteil Wear part / Sliedetaile
Pos. Item	Description	Bemerkung Note		Art.-Nr. Item-No	1		Einheit Unit			
VII	Drive unit chain									
	Drive unit chain complete		D8410RG070	G	C	Stck./pc.	1			
1	Gear motor 220-230/400-415V-ACS50, 50Hz		D8910R0058		B	Stck./pc.	1			
	Gear motor 220-230/400-415V-ACS50, 60Hz		D8910R0059		B	Stck./pc.	1			
	Gear motor 220-230/400-415V-ACS60/ACS80		D8910R0048		B	Stck./pc.	1			
	Gear motor 220-230/400-415V-MCC		D8910R0078		B	Stck./pc.	1			
2	Brake 15 Nm 180V DC HL		D6622R0018		A	Stck./pc.	1		x	
3	Cover chain outside RH		D4521R0817		A	Stck./pc.	1			
	Cover chain outside LH		D4521R0819		A	Stck./pc.	1			
4	Roller chain complete		D8110R0079		B	Stck./pc.	1			
5	Shaft chain sprocket		D4521R0837		A	Stck./pc.	1			
6	Cover chain inside RH		D4521R0818		A	Stck./pc.	1			
	Cover chain inside LH		D4521R0820		A	Stck./pc.	1			
7	Motorbracket RH		D4521R0834		A	Stck./pc.	1			
	Motorbracket LH		D4521R0833		A	Stck./pc.	1			
8	Limit switch complete for chain drive	ACS 50, 60, 80, MCC	D8410R0055		B	Stck./pc.	1			
	Limit switch complete for chain drive	without control	D8410R0070		B	Stck./pc.	1			
9	Limit switch	ACS 50, 60, 80, MCC	D4906R0007		A	Stck./pc.	1			
	Limit switch	without control	D4906R0067		A	Stck./pc.	1			
10	Double Proximity switch	ACS 60/80	D4905R0019		A	Stck./pc.	1			
	Encoder 50 pulses, only electronic part	MCC	D4904R0450		A	Stck./pc.	1			
	Encoder 50 pulses cpl	MCC	D8410R0066		A	Stck./pc.	1			
11	Microswitch		D6621R0002		A	Stck./pc.	1			
12	Spring 2,2x11x48mm		D4802R0004		A	Stck./pc.	1			
13	Control cable	ACS 50	D8903RG144	G	B		1			
		Base Price				Stck./pc.				
		Upcharge				m				
	Control cable	ACS 60, 80	D8830RG002	G	B		11			
		Base Price				Stck./pc.				
		Upcharge				m				
13	Control cable	MCC	D8903RG145	G	B		11			
		Base Price				Stck./pc.				
		Upcharge				m				

RR 392	Options
RR 392	Optionen
RR 392	Optioner



RR 392 Version 15				gültig ab ▲ gültig bis valid from ▲ valid to			Delivery time class			Anzahl pro Tor Quantity per door	Verschleißteil Wear part / Slitdetailje
Pos. Item	Description	Bemerkung Note	Art.-Nr. Item-No		1	Einheit Unit					
VIII Options											
1	Motor cover RH, galvanized for chain drive		D8160R0024		A	Stck./pc.	1				
	Motor cover LH, galvanized for chain drive		D8160R0025		A	Stck./pc.	1				
2	Motorcover plastic grey LH		D8160R0091		A	Stck./pc.	1				
	Motorcover plastic grey RH		D8160R0090		A	Stck./pc.	1				
	Motorcover plastic grey LH	MCC mounted on side frame	D8160R0095		A	Stck./pc.	1				
	Motorcover plastic grey RH	MCC mounted on side frame	D8160R0094		A	Stck./pc.	1				
3	Top roll cover, galvanized		D8260RG001	G	C	m	1				
	Bracket LH		D4521R0168		A	Stck./pc.	1				
	Bracket RH		D4521R0167		A	Stck./pc.	1				
4	Lintel sealing		D8270RG001	G	C	m	1				
5	Second emergency lever		D8170RG022	G	B	Stck./pc.	1				

Legend	
1	
G	Generic Item
Delivery time	
A	Within 24 hours
B	2-3 Workdays
C	5-8 Workdays
D	10-14 Workdays
Wear parts	
x	Standard wear with time/use

