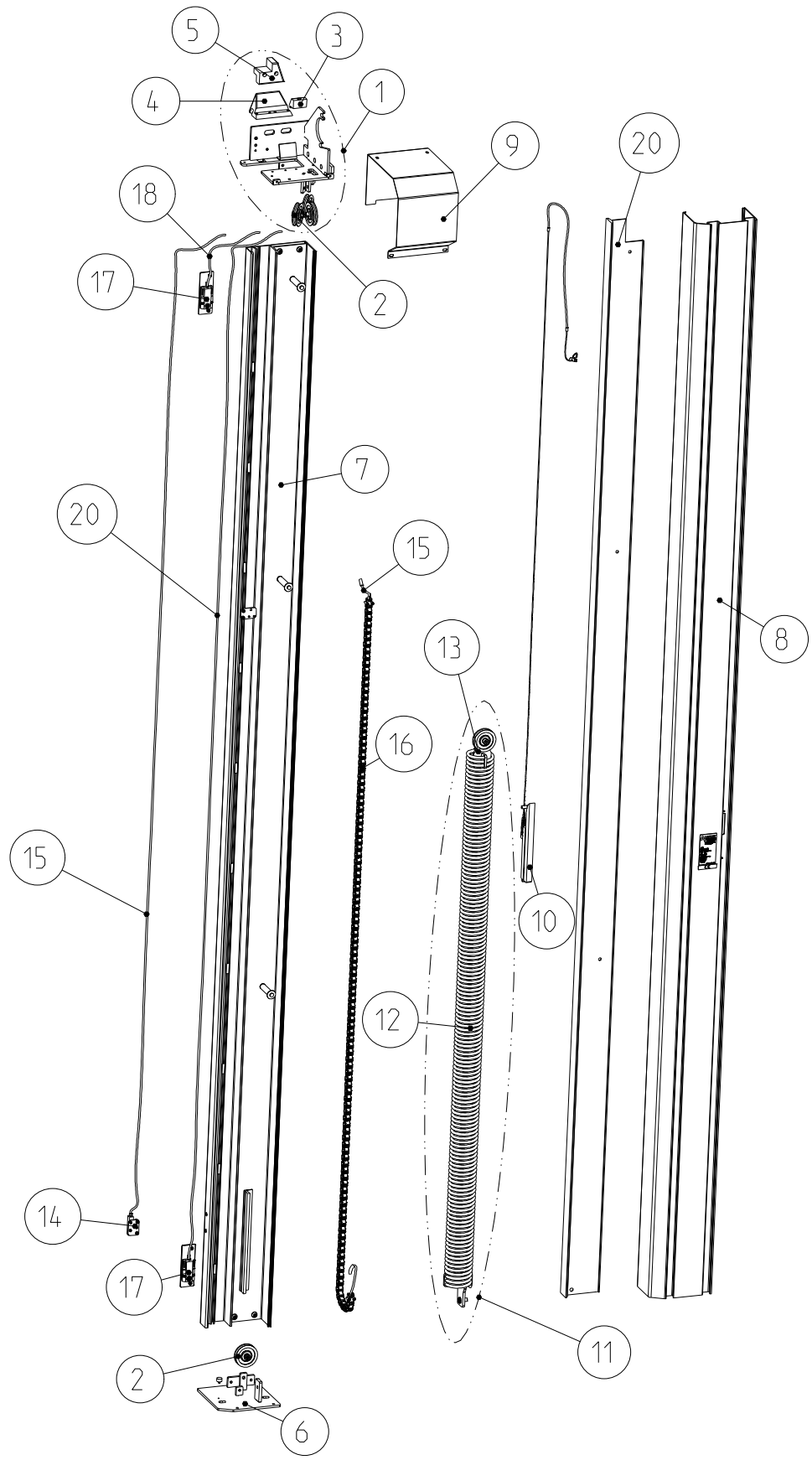


Spare part list  
RR 355



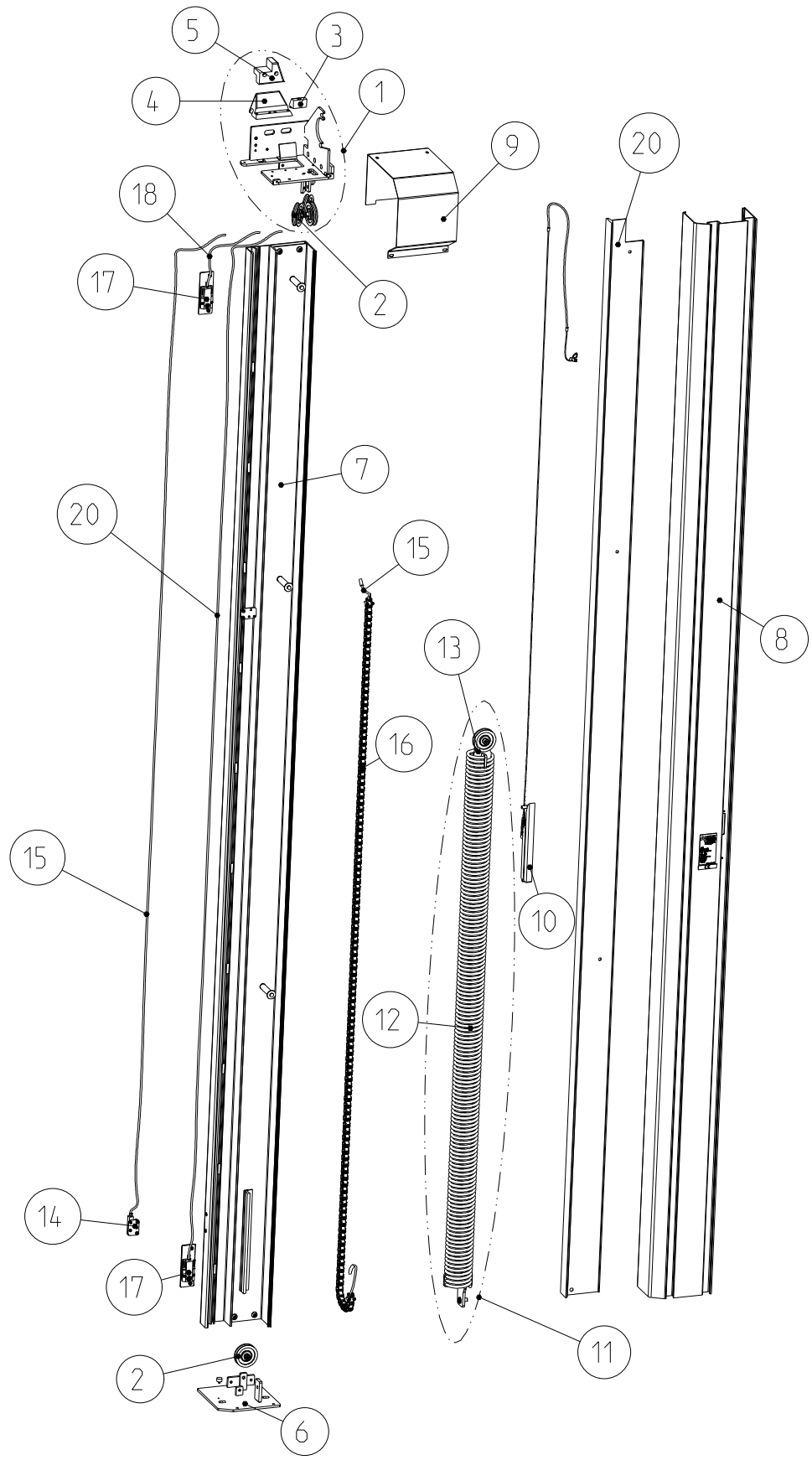
2011-07 Index 01

Side Frame right	RR 355
Seitenteil rechts	RR 355
Karm vänster	RR 355



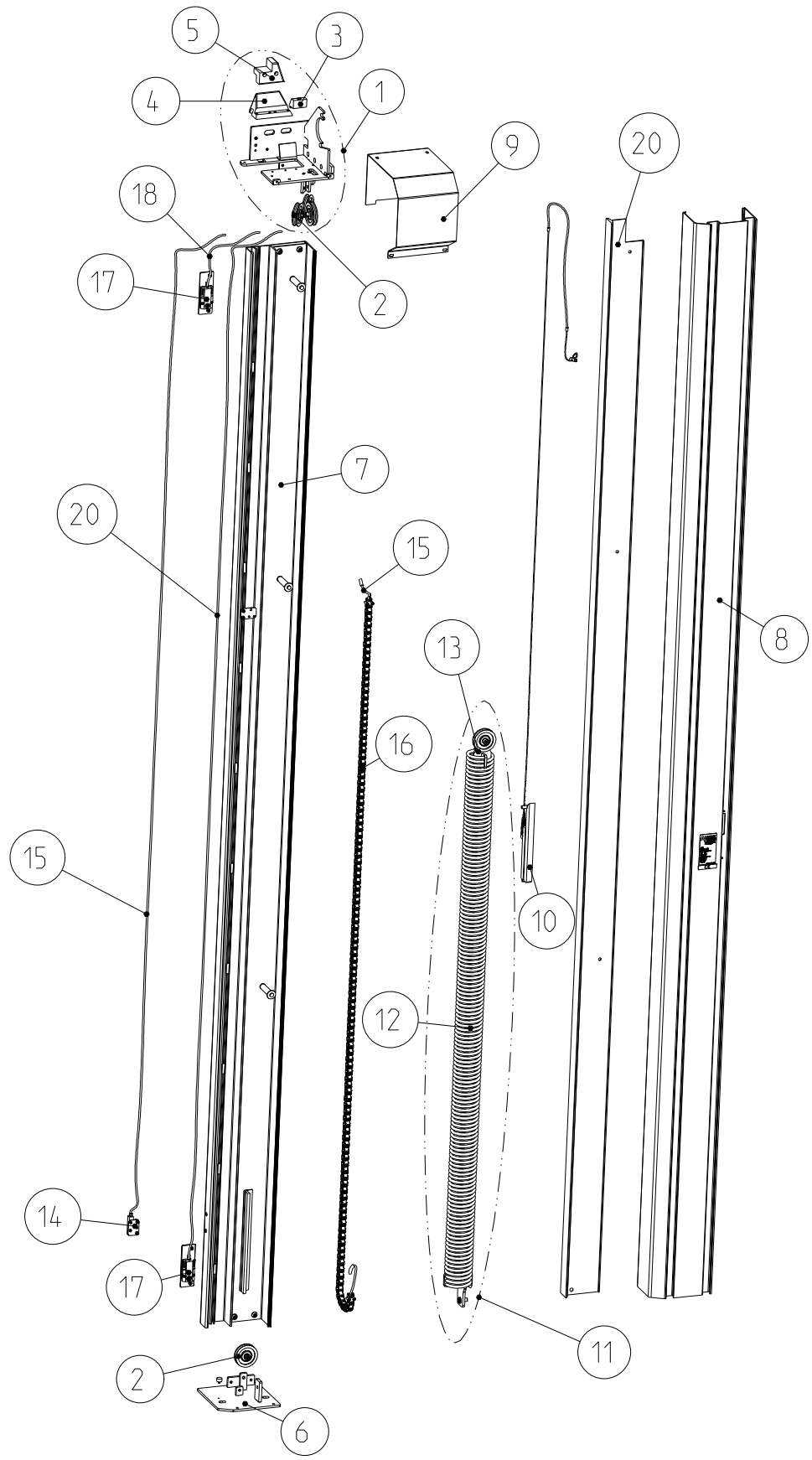
RR 355, Version 29				gültig ab ▲ gültig bis valid from ▲ valid to			Delivery time class	Anzahl pro Tor Quantity per door	Verschleißteil Wear part / Slitdetailje
Pos. Item	Description	Bemerkung Note	Art.-Nr. Item-No		1	Preiseinheit Price Unit			
<b>I</b>	<b>RH column</b>								
	RH column complete		D8520003	G	C	Stck/pc	1		
		Base price				m/H			
		upcharge							
1	RH console for bearing complete		D8120015		A	Stck/pc	1		
2	Rope pulley with screw		D8120012		A	Stck/pc	8		
3	Bell mouth small		D8120068		A	Stck/pc	2	X	
4	Bell mouth great		D8120017		A	Stck/pc	2	X	
5	RH bell mouth		D8120022		A	Stck/pc	1	X	
6	RH ground plate with rope pulley		D8120013		A	Stck/pc	1		
7	RH support profile		D8220018	G	B	m	1		
8	RH front cover		D8220017	G	B	m	1		
9	Covering cap		D8120018		A	Stck/pc	2		
10	Emergency lever	Driveside	D8220R0055		B	Stck/pc	1		
11	Curtain tension / weight counterbalance complete		D8220015	G	B		2	X	
	with spring 8mm, L0=1594mm				B	Stck/pc			
	with spring 8mm, L0=2034mm				B	Stck/pc			
	with spring 8mm, L0=2750mm				B	Stck/pc			
12	Spring 8mm, L0=1594mm without assembly		D4610183		A	Stck/pc	2	X	
	Spring 8mm, L0=2034mm without assembly		D4610186		A	Stck/pc	2	X	
	Spring 8mm, L0=2750mm without assembly		D4610R0001		A	Stck/pc	2	X	
13	Superior spring acceptance		D8120011		A	Stck/pc	2		
14	Photocell transmitter with bracket		D8420001		A	Stck/pc	1		
	Photocell transmitter without bracket		D4904R0211		A	Stck/pc	1		
15	Connecting cable 4000mm	For photocell and limit switch	D4907R0024		A	Stck/pc	1		
	Connecting cable 6000mm		D4907R0029		A	Stck/pc	1		
	Connecting cable 8000mm		D4907R0030		A	Stck/pc	1		
	Connecting cable 10000mm		D4907R0032		A	Stck/pc	1		
	Connecting cable 12000mm	If Drive RH → L=H+1010	D4907R0023		A	Stck/pc	1		
	Connecting cable 14000mm		D4907R0031		A	Stck/pc	1		
	Connecting cable 4000mm crash	If Drive LH → L=H+B+1010	D4907R0074		A	Stck/pc	1		
	Connecting cable 6000mm crash		D4907R0075		A	Stck/pc	1		
	Connecting cable 8000mm crash		D4907R0076		A	Stck/pc	1		
	Connecting cable 10000mm crash		D4907R0077		A	Stck/pc	1		
Flexible cable duct	Driveside DH<=2700		D8520040		B	Stck/pc	1		
Flexible cable duct	Driveside DH>2700 No Driveside DH+DW<=2700		D8520041		B	Stck/pc	1		
Flexible cable duct	No Driveside DH+DW<=6500	D8520042		B	Stck/pc	1			
Flexible cable duct	No Driveside DH+DW>6500	D8520043		B	Stck/pc	1			
Flexible cable duct crash	Driveside DH<=2700	D8520044		B	Stck/pc	1			
Flexible cable duct crash	Driveside DH>2700 No Driveside DH+DW<=2700	D8520045		B	Stck/pc	1			
Flexible cable duct crash	No Driveside DH+DW<=6500	D8520046		B	Stck/pc	1			
Flexible cable duct crash	No Driveside DH+DW>6500	D8520047		B	Stck/pc	1			
17	Proximity switch with bracket bottom	Driveside	D8420003		A	Stck/pc	1		
	Proximity switch without bracket		D4905R0082		A	Stck/pc	1		
18	cable L=1000mm	FUS, PLS-GT,MPS	D4907R0082		A	Stck./pc.	1		
	cable L=4000mm	SPS, without control	D4907R0024		A	Stck./pc.	1		

Side Frame right	RR 355
Seitenteil rechts	RR 355
Karm vänster	RR 355



RR 355, Version 29			gültig ab ▲ gültig bis valid from ▲ valid to			Delivery time class		Anzahl pro Tor Quantity per door	Verschleißteil Wear part / Slitdetailje
Pos. Item	Description	Bemerkung Note		Art.-Nr. Item-No	1				
19	Cable for limit switch bottom (only side of unit)	only PLS-G DH<=2700		D4907R0024		A	Stck./pc.	1	
	Cable for limit switch bottom (only side of unit)	only PLS-G DH<=4700		D4907R0029		A	Stck./pc.	1	
	Cable for limit switch bottom (only side of unit)	only PLS-G DH<=6700		D4907R0030		A	Stck./pc.	1	
	Cable for limit switch bottom (only side of unit)	only PLS-G DH<=8700		D4907R0032		A	Stck./pc.	1	
	Cable for limit switch bottom (only side of unit)	SPS, without control DH<=2500		D4907R0024		A	Stck./pc.	1	
	Cable for limit switch bottom (only side of unit)	SPS, without control DH<=4500		D4907R0029		A	Stck./pc.	1	
	Cable for limit switch bottom (only side of unit)	SPS, without control DH<=6500		D4907R0030		A	Stck./pc.	1	
	Cable for limit switch bottom (only side of unit)	SPS, without control DH<=8500		D4907R0032		A	Stck./pc.	1	
20	Chamber profile RH			D4701253	G	B	m	1	

Side Frame right	RR 355
Seitenteil rechts	RR 355
Karm vänster	RR 355

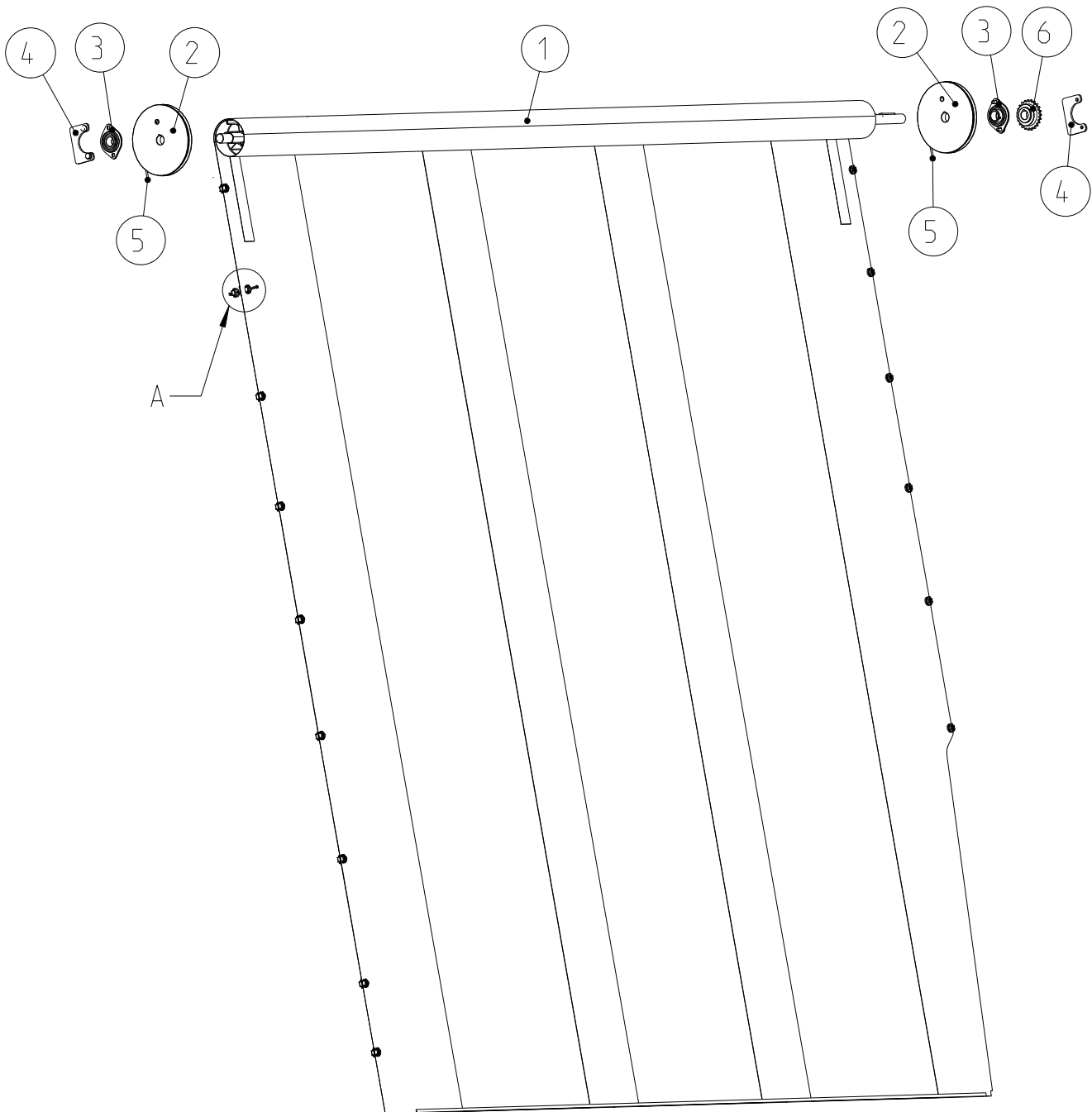
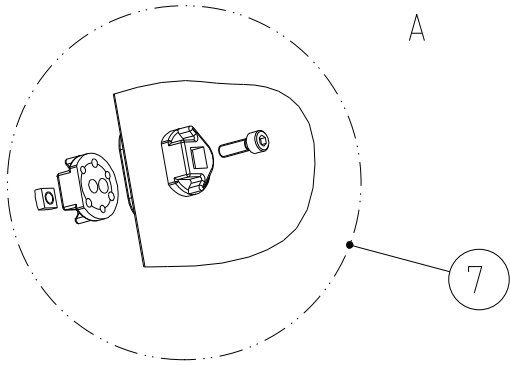


RR 355, Version 29				gültig ab ▲ gültig bis valid from ▲ valid to			Delivery time class	Preiseinheit	Anzahl pro Tor Quantity per door	Verschleißteil Wear part / Sliedetailje
Pos. Item	Description	Bemerkung Note	Art.-Nr. Item-No		1	Price Unit				
<b>II</b>	<b>LH column (See drawing side frame RH)</b>									
	LH column cpl		D8520004	G	C	Stck/pc	1			
		Base price				m/H				
		upcharge								
1	LH console for bearing with rope pulleys and		D8120016		A	Stck/pc	1			
2	Rope pulley with screw		D8120012		A	Stck/pc	8			
3	Bell mouths small		D8120068		A	Stck/pc	2	X		
4	Bell mouths great		D8120017		A	Stck/pc	2	X		
5	RH bell mouths		D8120023		A	Stck/pc	1	X		
6	LH ground plate		D8120014		A	Stck/pc	1			
7	LH support profile		D8220019	G	B	m	1			
8	LH front cover		D8220016	G	B	m	1			
9	Covering cap		D8120018		A	Stck/pc	2			
10	Emergency lever	Driveside	D8220R0055	G	B	Stck/pc	1			
11	Durtain tension / weigth counterbalance cpl		D8220015	G			2	X		
	with tension spring 8mm, L0=1594mm				B	Stck/pc				
	with tension spring 8mm, L0=2034mm				B	Stck/pc				
	with tension spring 8mm, L0=2750mm				B	Stck/pc				
12	Tension spring 8mm, L0=1594mm without assembly		D4610183		A	Stck/pc	2	X		
	Tension spring 8mm, L0=2034mm without assembly		D4610186		A	Stck/pc	2	X		
	Tension spring 8mm, L0=2750mm without assembly		D4610R0001		A	Stck/pc	2	X		
13	superior spring acceptance		D8120011		A	Stck/pc	2			
14	Photocell receiver with bracket		D8420002		A	Stck/pc	1			
	Photocell receiver without bracket		D4904R0283		A	Stck/pc	1			
15	Connecting cable 4000mm	For photocell and limit switch	D4907R0024		A	Stck/pc	1			
	Connecting cable 6000mm		D4907R0029		A	Stck/pc	1			
	Connecting cable 8000mm		D4907R0030		A	Stck/pc	1			
	Connecting cable 10000mm		D4907R0032		A	Stck/pc	1			
	Connecting cable 12000mm	If Drive RH → L=H+B+1010	D4907R0023		A	Stck/pc	1			
	Connecting cable 14000mm		D4907R0031		A	Stck/pc	1			
	Connecting cable 4000mm crash		D4907R0074		A	Stck/pc	1			
	Connecting cable 6000mm crash		D4907R0075		A	Stck/pc	1			
	Connecting cable 8000mm crash		D4907R0076		A	Stck/pc	1			
	Connecting cable 10000mm crash		D4907R0077		A	Stck/pc	1			
16	Flexible cable duct	Driveside DH<=2700	D8520040		B	Stck/pc	1			
	Flexible cable duct	Driveside DH>2700 No Driveside DH+DW<=2700	D8520041		B	Stck/pc	1			
	Flexible cable duct	No Driveside DH+DW<=6500	D8520042		B	Stck/pc	1			
	Flexible cable duct	No Driveside DH+DW>6500	D8520043		B	Stck/pc	1			
	Flexible cable duct crash	Driveside DH<=2700	D8520044		B	Stck/pc	1			
	Flexible cable duct crash	Driveside DH>2700 No Driveside DH+DW<=2700	D8520045		B	Stck/pc	1			
	Flexible cable duct crash	No Driveside DH+DW<=6500	D8520046		B	Stck/pc	1			
	Flexible cable duct crash	No Driveside DH+DW>6500	D8520047		B	Stck/pc	1			
17	Proximity switch with bracket bottom (only drive side)		D8420004		A	Stck/pc	1			
	Proximity switch		D4905R0082		A	Stck/pc	1			
18	cable L=1000mm	FUS, PLS-GT	D4907R0082		A	Stck/pc	1			
	cable L=4000mm	SPS, without control	D4907R0024		A	Stck/pc	1			
19	Cable for limit switch bottom (only drive side)	only PLS-G; SPS Driveside	See sideframe RH			Stck/pc	1			
20	Chamber profile LH		D4701256		B	m	1			

Top Roll with Door Blade

Wickelwelle mit Torbehang

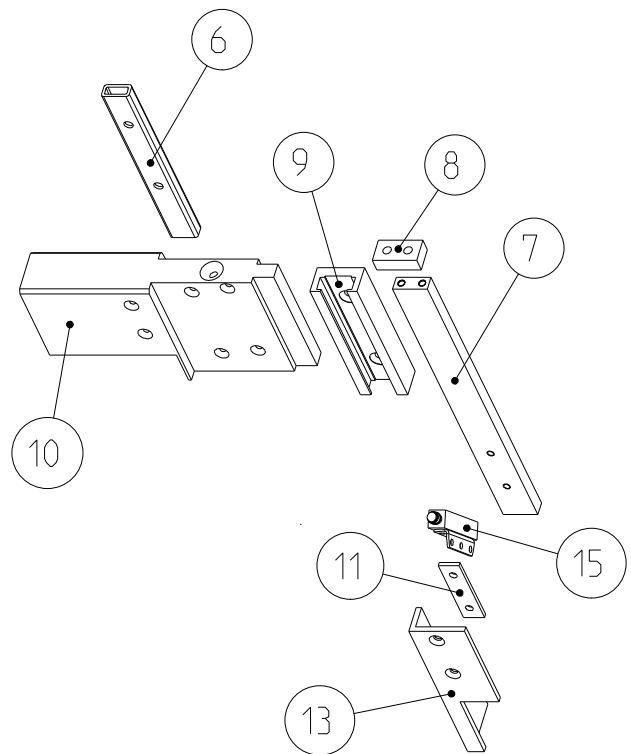
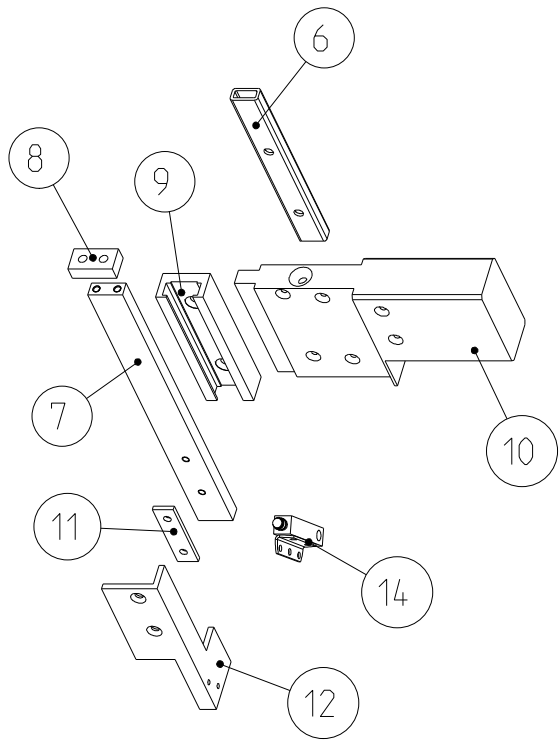
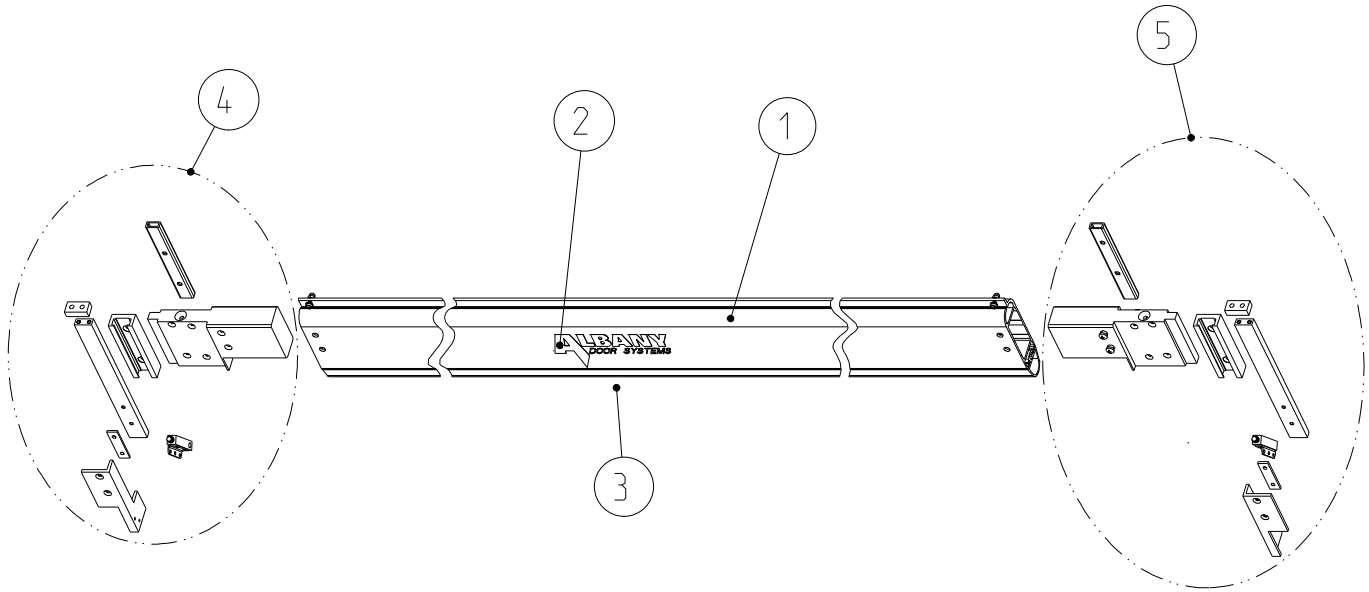
Vals komplett





RR 355, Version 29				gültig ab ▲ gültig bis valid from ▲ valid to			Delivery time class	Anzahl pro Tor Quantity per door	Verschleißteil Wear part / Slitdetailje
Pos. Item	Description	Bemerkung Note	Art.-Nr. Item-No		1	Preiseinheit Price Unit			
<b>III</b>	<b>Toproll with curtain</b>								
	Toproll with curtain		D8240089	G	C		1		
	Base price					Stck./pc.			
	Barrel					m/w			
	Door blade PVC with stripes additional per m <sup>2</sup>	blue or red				m <sup>2</sup>			
	Door blade PVC with stripes additional per m <sup>2</sup>	special color				m <sup>2</sup>			
	Doorblade top without window additional per m <sup>2</sup>	blue or red				m <sup>2</sup>			
	Doorblade top without window additional per m <sup>2</sup>	special color				m <sup>2</sup>			
	Doorblade top with window	blue or red				m <sup>2</sup>			
	Doorblade top with window	special color				m <sup>2</sup>			
	Doorblade RollTex additional per m <sup>2</sup>	blue, orange, grey				m <sup>2</sup>			
	Window horizontal					Stck./pc.	max 2		
	Window vertikal					Stck./pc.	max 3		
1	Top roll Alu	only for export	D8240090	G		m			
2	Rope pulley Ø150		D4721046		A	Stck./pc.	2		
3	Flange bearing		D8140R0005		A	Stck./pc.	2		
4	Bracket for bearing		D8140002		A	Stck./pc.	2		
5	Rope d=5mm, L=24000mm		D5105R0035		A	Stck./pc.	2	x	
	Rope d=4,55mm, L=24000, yellow	only with plastic pulley	D5105R0080		A	Stck./pc.	2	x	
6	Chain weel		D8110064		A	Stck./pc.	1		
7	Windbreaktap set (12 pc)		D8130R0009		A	set	1	x	
8	Doorblade Plast 1,4	blue or red only for export	D8230RG070	G	C	m <sup>2</sup>	1		
	Doorblade Top0,5 ohne Fenster	blue or red only for export	D8230RG072	G	C	m <sup>2</sup>	1		
	Doorblade Top0,5 mit Fenster	blue or red only for export	D8230RG071	G	C	m <sup>2</sup>	1		
	Doorblade Rolltex Plus	blue, orange, grey only for export	D8230308	G	C	m <sup>2</sup>	1		
	Window horizontal				C	Stck./pc.	max 2		
	Window vertikal				C	Stck./pc.	max 3		

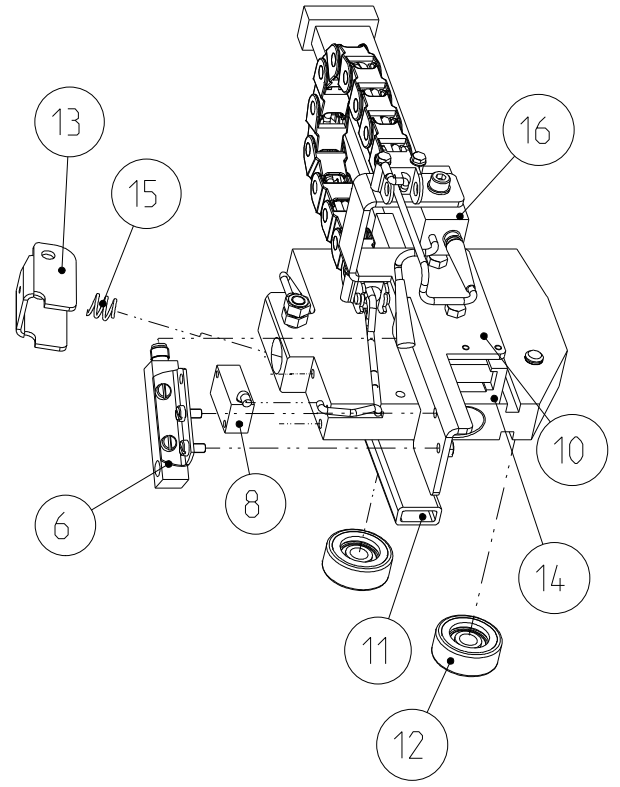
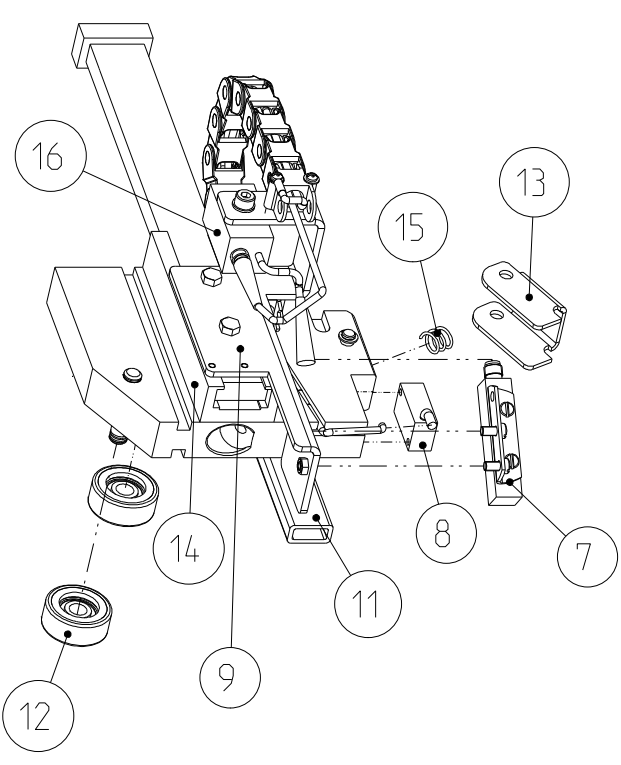
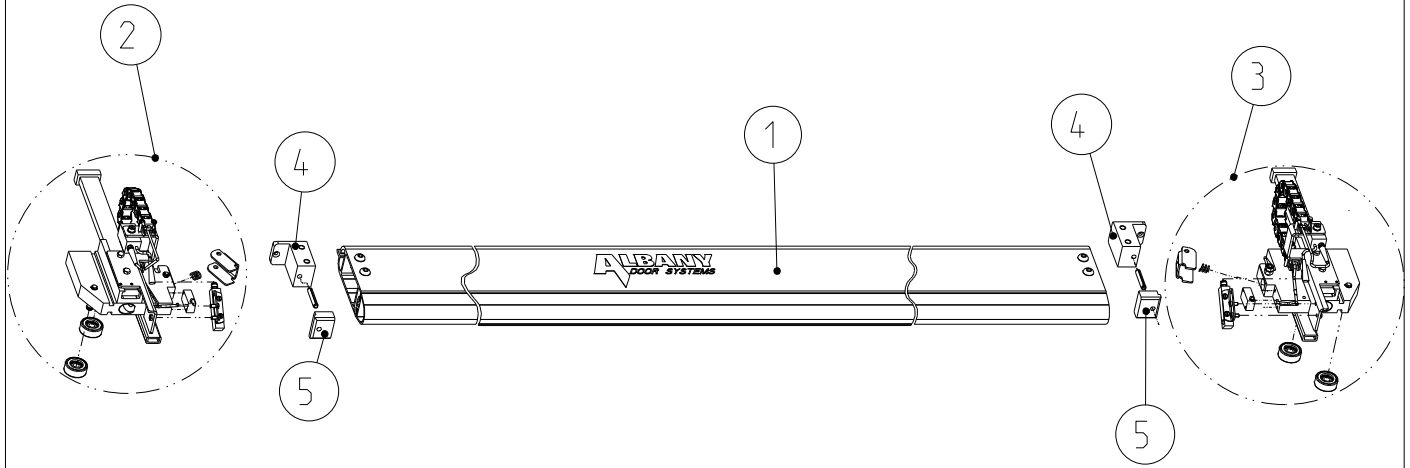
Bottom profile  
 Abschlußprofil komplett



RR 355, Version 29		Bemerkung Note	gültig ab ▲ gültig bis valid from ▲ valid to	Art.-Nr. Item-No		Delivery time class	Preiseinheit Price Unit	Anzahl pro Tor Quantity per door	Verschleißteil Wear part / Slitdetailje
Pos. Item	Description			1					
<b>IV</b>	<b>Bottom profil</b>								
	Bottom profil complete	pre -running photocell		D8550011	G	B	m	1	
	Bottom profil complete	integrated safety edge		D8550RG061	G	B	m	1	
1	Bottom profil cut			D4701275	G	B	m	1	
2	Choise label bottom profile			D6403V0002		A	Stck./pc.	1	
3	Rubber profile cut	pre -running photocell		D4421RG013	G	B	m	1	
	Rubber profile extended sealing lip cut-to-size			D4421RG014	G	C	m	1	
	Rubber profile with integrated safety edge	integrated safety edge		D4421RG036	G	B	m	1	
	Rubber profile elongated sealing-lilp			D4421RG037	G	C	m	1	
4	Sliding part left for safety edge	el. safety edge, LH		D8150R0087		A	Stck./pc.	1	
	LH sliding piece complete	pre running photocell LH (**)	▶2011-08 See Pos: (14, 15) 2011-09 ▶ also single	D8450R0017		A	Stck./pc.	1	
5	RH sliding piece complete	pre running photocell RH (**)		D8450R0018		A	Stck./pc.	1	
	Sliding part right for safety edge	el. safety edge, RH		D8150R0086		A	Stck./pc.	1	
6	Switch pin			D4615023		A	Stck./pc.	2	
7	Guide rails			D4721R0217		A	Stck./pc.	2	
8	Damper			D4421r0034		A	Stck./pc.	2	
9	Guide profil			D4399306		A	Stck./pc.	2	
10	Sliding piece			D4399537		A	Stck./pc.	2	
11	Plate			D4521R1091		A	Stck./pc.	2	
12	Bracket pre-running photo cell LH			D4701093		A	Stck./pc.	1	
13	Bracket pre-running photo cell RH			D4701090		A	Stck./pc.	1	
14	Safety photocell transmitter - yellow	LH (**) without bracket RH (**)	▶2011-08 just in pair 2011-09 ▶ also single	D4904R0544		A	Stck./pc.	1	
15	Safety photocell receiver - grey			D4904R0546		A	Stck./pc.	1	

(\*\*) Doors ordered before end of 2011/08 needs a pair of Transmitter/Receiver (Pos. 14, 15)

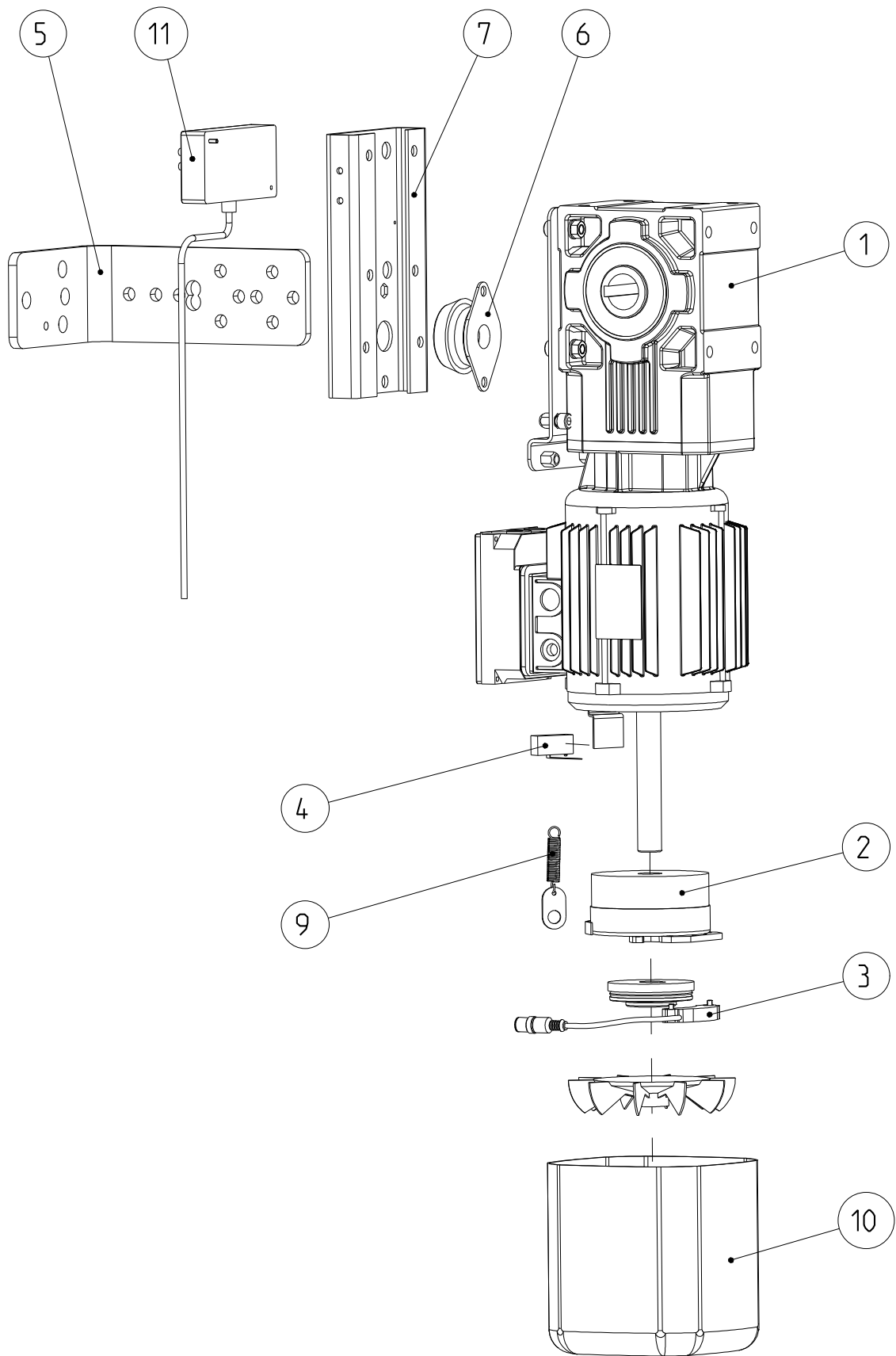
Bottom profile crash  
 Abschlußprofil Crash



RR 355, Version 29			gültig ab ▲ gültig bis valid from ▲ valid to			Delivery time class	Preiseinheit Price Unit	Anzahl pro Tor Quantity per door	Verschleißteil Wear part / Slitdetailje
Pos. Item	Description	Bemerkung Note		Art.-Nr. Item-No	1				
<b>V</b>	<b>Bottom profile crash</b>								
1	Bottom profile with rubber profile without sliding part		D8550005	G	B	m	1		
	Bottom profile cut-to-size		D4701275	G	B	m	1		
	Rubber profile cut-to-size		D4421RG013	G	B	m	1		
	Rubber profile extended sealing lip cut-to-size		D4421RG014	G	C	m	1		
2	LH sliding part crash	LH (**)	▶2011-08 See Pos: 6, 7 2011-09 ▶ also single	D8450R0015		A	Stck./pc.	1	
3	RH sliding part crash	RH (**)		D8450R0016		A	Stck./pc.	1	
4	Tappet top			D4701263		A	Stck./pc.	2	
5	Tappet down			D4609080		A	Stck./pc.	2	
6	Safety photocell receiver - grey	RH (**) without bracket LH (**)	▶2011-08 just in pair 2011-09 ▶ also single	D4904R0546		A	Stck./pc.	1	
7	Safety photocell transmitter - yellow			D4904R0544		A	Stck./pc.	1	
8	Proximity switch			D8450007		A	Stck./pc.	2	
9	Bracket pre-running photo cell LH			D4604691		A	Stck./pc.	1	
10	Bracket pre-running photo cell RH			D4604690		A	Stck./pc.	1	
11	Switch pin			D4615023		A	Stck./pc.	2	
12	Swiveling roller			D5003107		A	Stck./pc.	4	
13	Locking disk			D4621R0329		A	Stck./pc.	2	
14	Guide profil			D4399306		A	Stck./pc.	2	
15	Comprssion spring			D4803R0004		A	Stck./pc.	2	
16	LH Y-adapter			D4910R0032		A	Stck./pc.	1	
17	RH Y-adapter			D4910R0033		A	Stck./pc.	1	

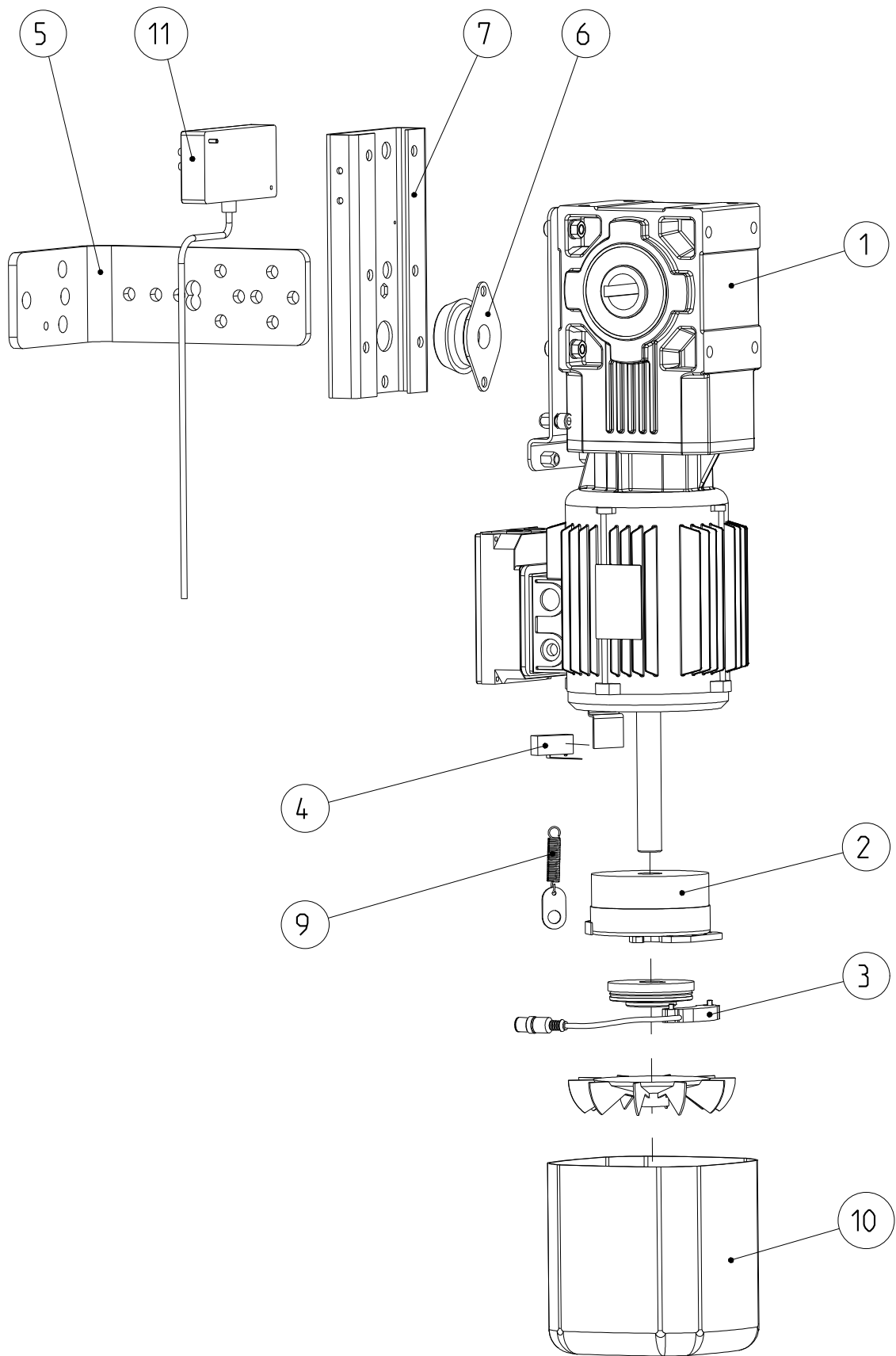
(\*\*) Doors ordered before end of 2011/08 needs a pair of Transmitter/Receiver (Pos. 6, 7)

Drive Unit	RR355
Antrieb	RR355



RR 355, Version 29		Bemerkung Note	gültig ab valid from	gültig bis valid to	Art.-Nr. Item-No	1	Delivery time class	Preiseinheit Price Unit	Anzahl pro Tor Quantity per door	Verschleißteil Wear part / Slitdetailje
Pos. Item	Description									
<b>VI Drive Unit</b>										
1	Drive unit cpl	No E-Connection	2001-12		D8410062	G	B		1	
	for control ACS 50, PLS_G and GT							Stck./pc.		
	for control FUS and ACS 80							Stck./pc.		
	for control ACS 60 and MCC							Stck./pc.		
	Retrofit drive unit motors Flender to Bonfiglioli	Drive Flender	2001-12	D8410RG080	G	B	Stck./pc.	1		
	Control MCC									
	Control ACS 50 / PLS-GT									
	Control ACS 80 / FUS III									
	Control FUS I / II									
	Control PLS-G									
	Gear motor 220-230/400-415V-PLS-G, 50Hz 220-230V-PLS-GT, 50Hz	Brake 6622R0017	2002-01	D8910R0039		A	Stck./pc.	1		
	Gear motor 220-230/400-415V-PLS-G, PLS-GT, 60Hz 220-230V-SPS,no control, 60Hz	Brake 6622R0018	2002-01	D8910R0040		A	Stck./pc.	1		
	Gear motor 380-415V-PLS-GT, 50Hz 400-415V-SPS,no control, 50Hz	Brake 6622R0017	2002-01	D8910R0041		A	Stck./pc.	1		
	Gear motor 220-230/380-415V-FUSII,ACS60/80, 50/60Hz	Brake 6622R0017	2002-01	D8910R0050		A	Stck./pc.	1		
	Gear motor 220-230/400-415V-FUSI, 50/60Hz	Brake 6622R0019	2002-01	D8910R0049		B	Stck./pc.	1		
	Gear motor 220-230/400-415V-ACS50, 50Hz	Brake 6622R0017	2002-01	D8910R0057		A	Stck./pc.	1		
	Gear motor 220-230/400-415V-ACS50, 60Hz	Brake 6622R0018	2002-01	D8910R0058		A	Stck./pc.	1		
	Gear motor 400-415V-SPS,no control, 60Hz	Brake 6622R0018	2002-01	D8910R0042		A	Stck./pc.	1		
	Gear motor 220-230/400-415V-MCC, 50/60Hz	Brake 6622R0017	2007-01	D8910R0077		A	Stck./pc.	1		
	Gear motor 220-230/400-415V-PLS-G, 50Hz 220-230V-PLS-GT, SPS, no control, 50Hz	Brake 6622R0017, drive Bonfiglioli	2001-12	D8910R0045		A	Stck./pc.	1		
	Gear motor 400-415V- PLS-GT, SPS, no control, 50Hz	Brake 6622R0017, drive Bonfiglioli	2001-12	D8910R0046		A	Stck./pc.	1		
Gear motor 220-230/380-415V-FUSI, 50/60Hz	Brake 6622R0019, drive Bonfiglioli	2001-12	D8910R0055		A	Stck./pc.	1			
Gear motor 220-230/380-415V-FUSII, ACS60/80, 50/60Hz	Brake 6622R0017, drive Bonfiglioli	2001-12	D8910R0056		A	Stck./pc.	1			

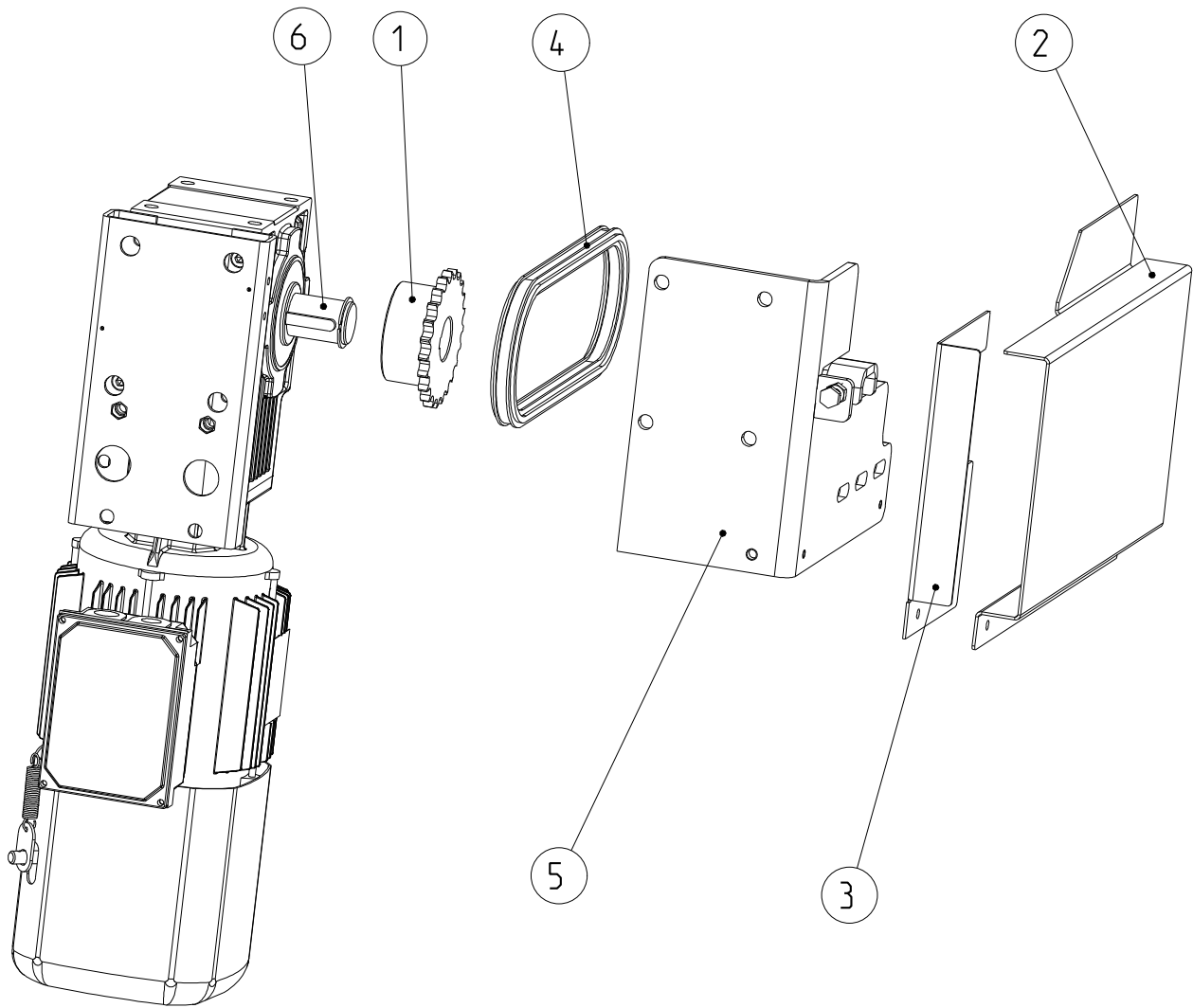
Drive Unit	RR355
Antrieb	RR355





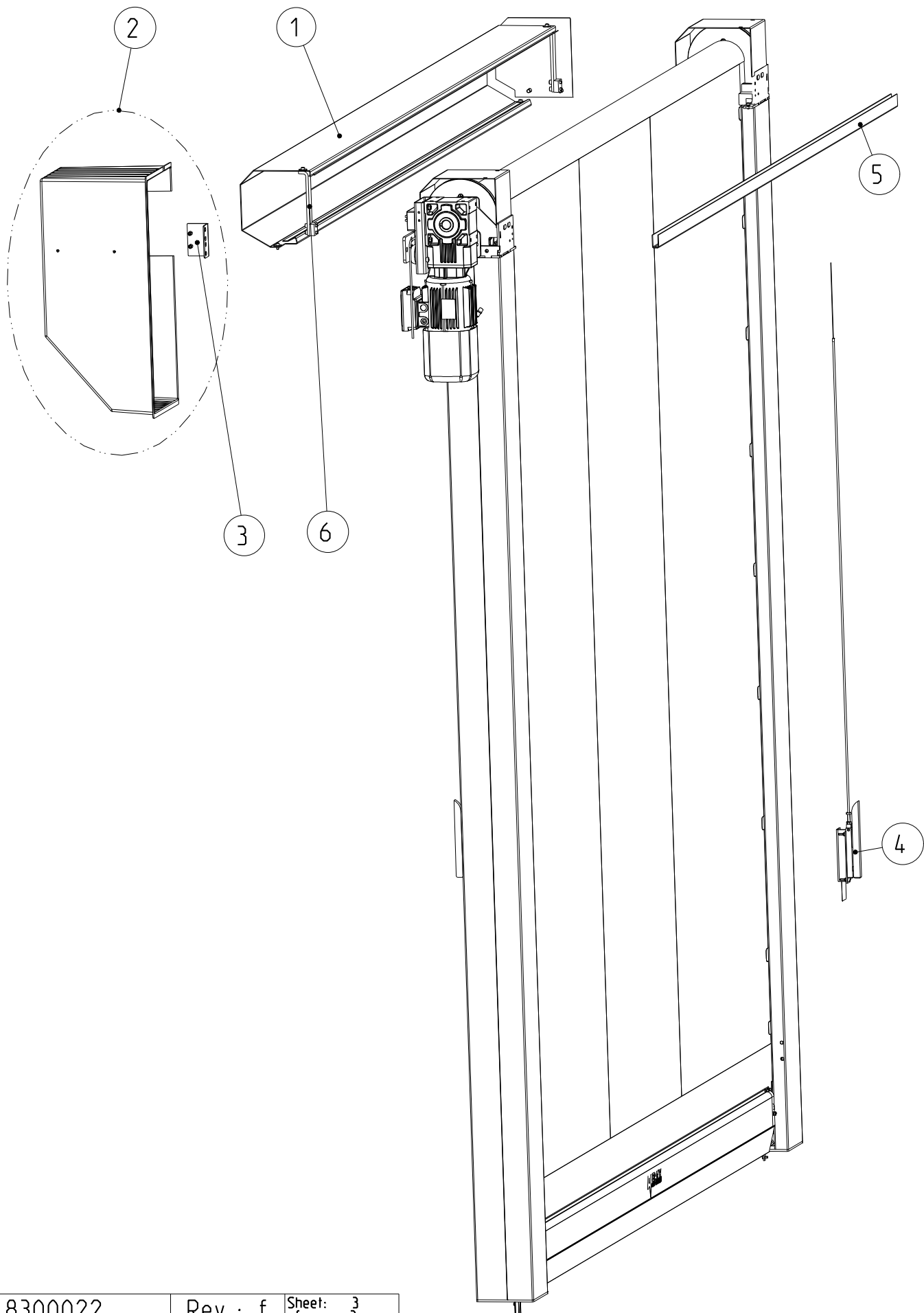
RR 355, Version 29									
Pos. Item	Description	Bemerkung Note	gültig ab ► gültig bis valid from ► valid to	Art.-Nr. Item-No		Delivery time class	Preiseinheit Price Unit	Anzahl pro Tor Quantity per door	Verschleißteil Wear part / Slitdetailje
					1				
2	Brake 10Nm 196V DC HL	look at drive	2002-01►	D6622R0017		A	Stck./pc.	1	x
	Brake 15Nm 196V DC HL	look at drive	2002-01►	D6622R0018		A	Stck./pc.	1	x
	Brake 10Nm 96V DC HL	look at drive	2002-01►	D6622R0019		A	Stck./pc.	1	x
	Brake BP10 NH 180V DC	for 4901235, 4901244, 6601003, 6601010, 6601016, 6601017	►2001-12	D4902050		A	Stck./pc.	1	x
	Brake BP10NH180V DC	for 4901236, 6601004	►2001-12	D4902051		A	Stck./pc.	1	x
		for 4901001, 4901236, 4901244, 6601003, 6601004	►2001-12	D6622001		A	Stck./pc.	1	x
3	Double Proximity switch	FUS, ACS 60/80		D4905R0019		A	Stck./pc.	1	
	Incremental shaft encoder	FUS	►2001-12	D4904369		A	Stck./pc.	1	
	Encoder 50 pulses, only electronic part	MCC		D4904R0450		A	Stck./pc.	1	
	Encoder 50 pulses cpl	MCC		D8410R0066		A	Stck./pc.	1	
4	Microswitch	Flender	►2001-12	D4801242		A	Stck./pc.	1	
	Microswitch	Bonfiglioli	2002-01►	D6621R0002		A	Stck./pc.	1	
5	Torque arm			D4521R0776		A	Stck./pc.	1	
6	Dumper			D5004R0041		A	Stck./pc.	1	
7	Adapter			D4521R0034		A	Stck./pc.		
8	E-Connection ACS 50	ACS 50		D8903RG144	G	B		1	
		Base Price					Stck./pc.		
		Upcharge					m		
	Control cable	ACS 60, 80		D8830032	G	B		1	
		Base Price					Stck./pc.		
		Upcharge					m		
8	E-Connection MCC	MCC		D8903RG145	G	B		1	
		Control close to drive					Stck./pc.		
		Control wall mounted					Stck./pc.		
9	Spring 2,2x11x48mm			D4802R0004		A	Stck./pc.	1	
10	Fan cowl	For Drive 6601R0064		D6621R0008			Stck./pc.	1	
	Fan cowl	For Drive 6601R0063, 6601R0067		D6621R0010			Stck./pc.	1	
11	Junctionbox 7plug 6m cable			D4802071		A	Stck./pc.	1	
	Junctionbox 7plug 11m cable			D4802076		A	Stck./pc.	1	
	Junctionbox 7plug 21m cable			D4802077		A	Stck./pc.	1	
	Junctionbox 9plug 6,5m cable			D4906R0027		A	Stck./pc.	1	
	Junctionbox 9plug 11,5m cable			D4906R0028		A	Stck./pc.	1	
	Junctionbox 9plug 21,5m cable			D4906R0029		A	Stck./pc.	1	
	Junctionbox 9plug 31,5m cable			D4906R0030		E	Stck./pc.	1	
12	Cable 4x0,25 6,5m GY			D4907R0110		A	Stck./pc.	1	
	Cable 4x0,25 11,5m GY			D4907R0111		A	Stck./pc.	1	
	Cable 4x0,25 21,5m GY			D4907R0112		A	Stck./pc.	1	
	Cable 4x0,25 31,5m GY			D4907R0113		A	Stck./pc.	1	

Chain drive	RR355
Antrieb Kette	RR355



RR 355, Version 29			gültig ab ▲ gültig bis valid from ▲ valid to			Delivery time class	Preiseinheit	Anzahl pro Tor Quantity per door	Verschleißteil Wear part / Slitdetailje
Pos. Item	Description	Bemerkung Note		Art.-Nr. Item-No	1				
<b>VII</b>	<b>Drive unit chain</b>								
	Chaindrive cpl			D8410066	G	A	Stck./pc.	1	
1	Chain weel		shaft Ø30mm	D5101105		A	Stck./pc.	1	
2	Cover chain outside LH			D4721114		A	Stck./pc.		
	Cover chain outside RH			D4721113		A	Stck./pc.	1	
3	Cover chain inside LH			D4721116		A	Stck./pc.	1	
	Cover chain inside RH			D4721115		A	Stck./pc.	1	
4	Roller chain complete			D8110076		A	Stck./pc.	1	
5	Motorbracket LH	LH Driveside		D4521564		A	Stck./pc.	1	
	Motorbracket RH	RH Driveside		D4521551		A	Stck./pc.	1	
6	Shaft		shaft Ø30mm	D4521554		A	Stck./pc.	1	
	Shaft with chain wheel		shaft Ø28mm	D8140052		A	Stck./pc.	1	

RR355	Options
RR355	Optionen
	Optioner



RR 355, Version 29				gültig ab ▲ gültig bis valid from ▲ valid to			Delivery time class	Anzahl pro Tor Quantity per door	Verschleißteil Wear part / Slitdetailje
Pos. Item	Description	Bemerkung Note	Art.-Nr. Item-No		1	Preiseinheit Price Unit			
<b>VIII</b>	<b>Options</b>								
1	Top roll cover		D8260003	G	C	m	1		
2	Motorcover plastic grey RH		D8160R0078		A	Stck./pc.	1		
	Motorcover plastic grey LH		D8160R0079		A	Stck./pc.	1		
	Motorcover plastic grey RH	MCC mounted on side frame	D8160R0084		A	Stck./pc.	1		
	Motorcover plastic grey LH	MCC mounted on side frame	D8160R0085		A	Stck./pc.	1		
	Motorcover chain drive RH	RH Chain drive	D8160R0005		C	Stck./pc.	1		
	Motorcover chain drive LH	LH Chain drive	D8160R0004		C	Stck./pc.	1		
3	Bracket motor cover		D4521778		A	Stck./pc.	1		
4	2. emergency lever (option)		D8170RG022	G	B	Stck./pc.	1		
5	U-Profile Cut		D4701298	G	C	m	1		
6	U-Profile Cut		D4614120		A	Stck./pc.	2		

Legend	
1	
G	Generic Item
Delivery time	
A	Within 24 hours
B	2-3 Workdays
C	5-8 Workdays
D	10-14 Workdays
E	on request
Wear parts	
x	Standard wear with time/use

