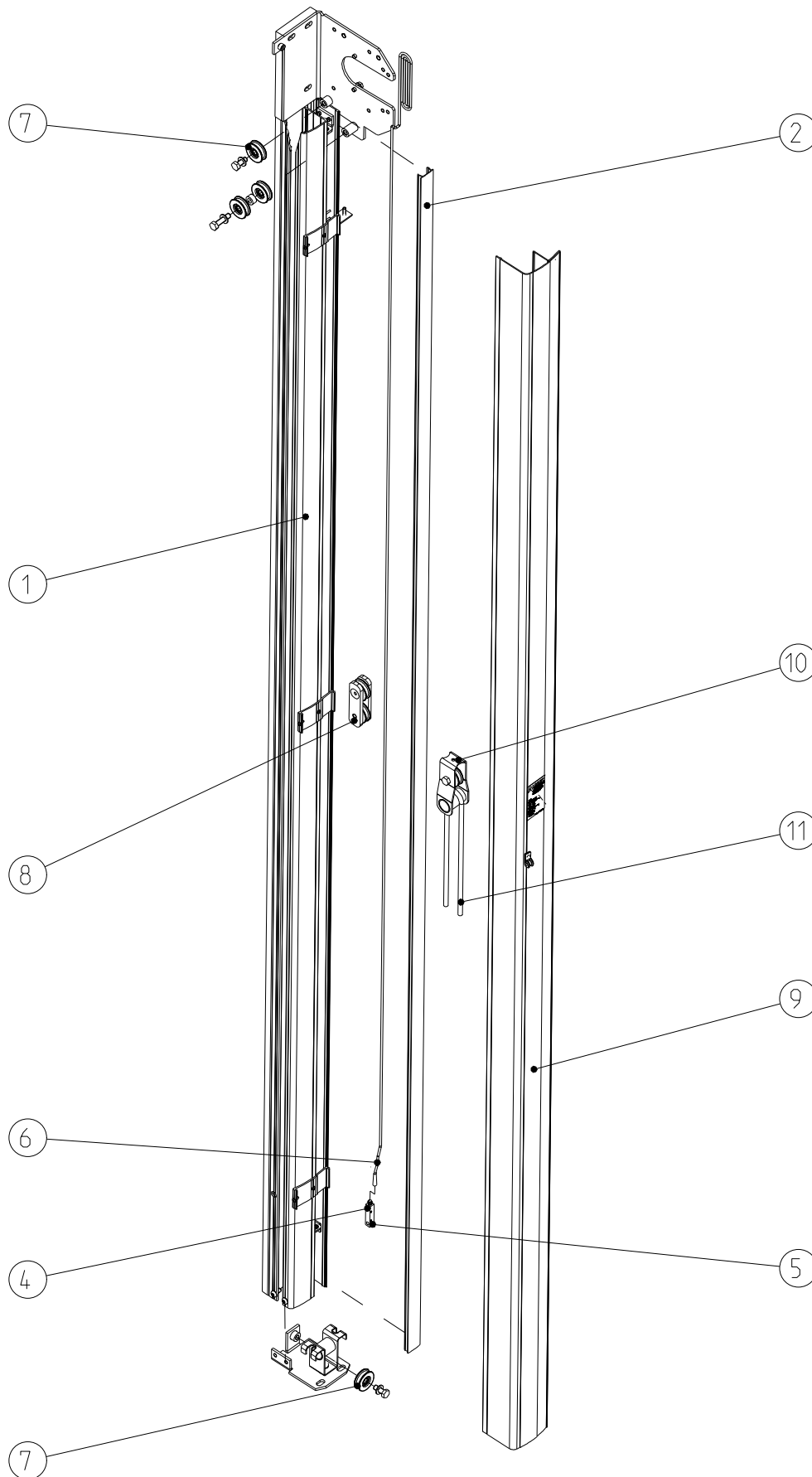


Spare part list
RR 330

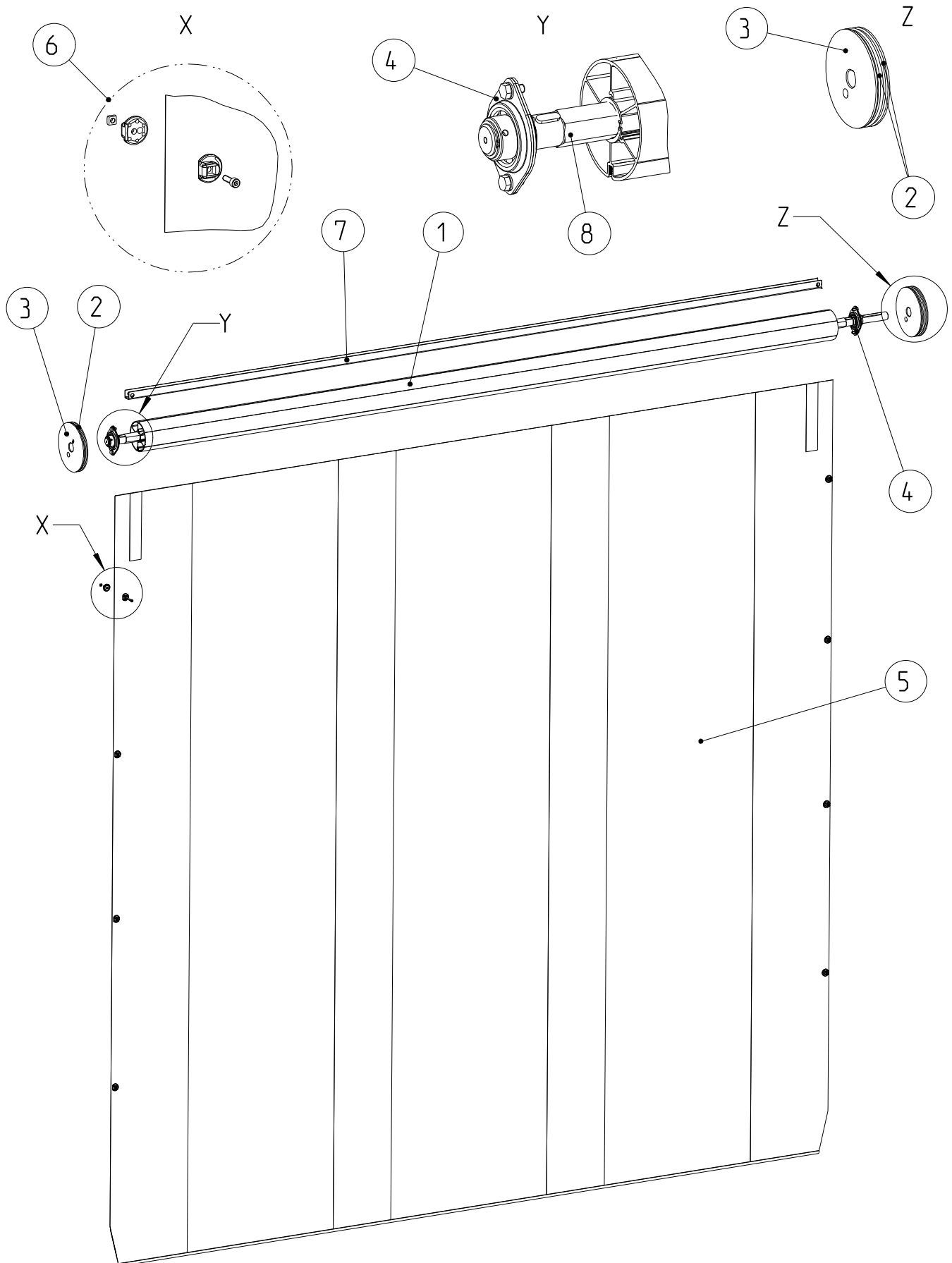


Side frame right	RR 330
Seitenteil rechts	RR 330
Karm höger	RR 330



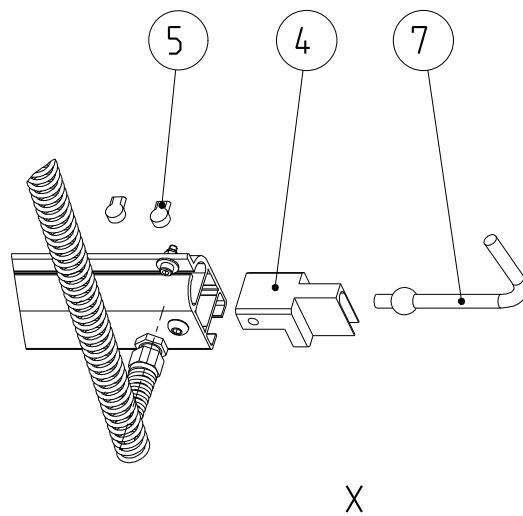
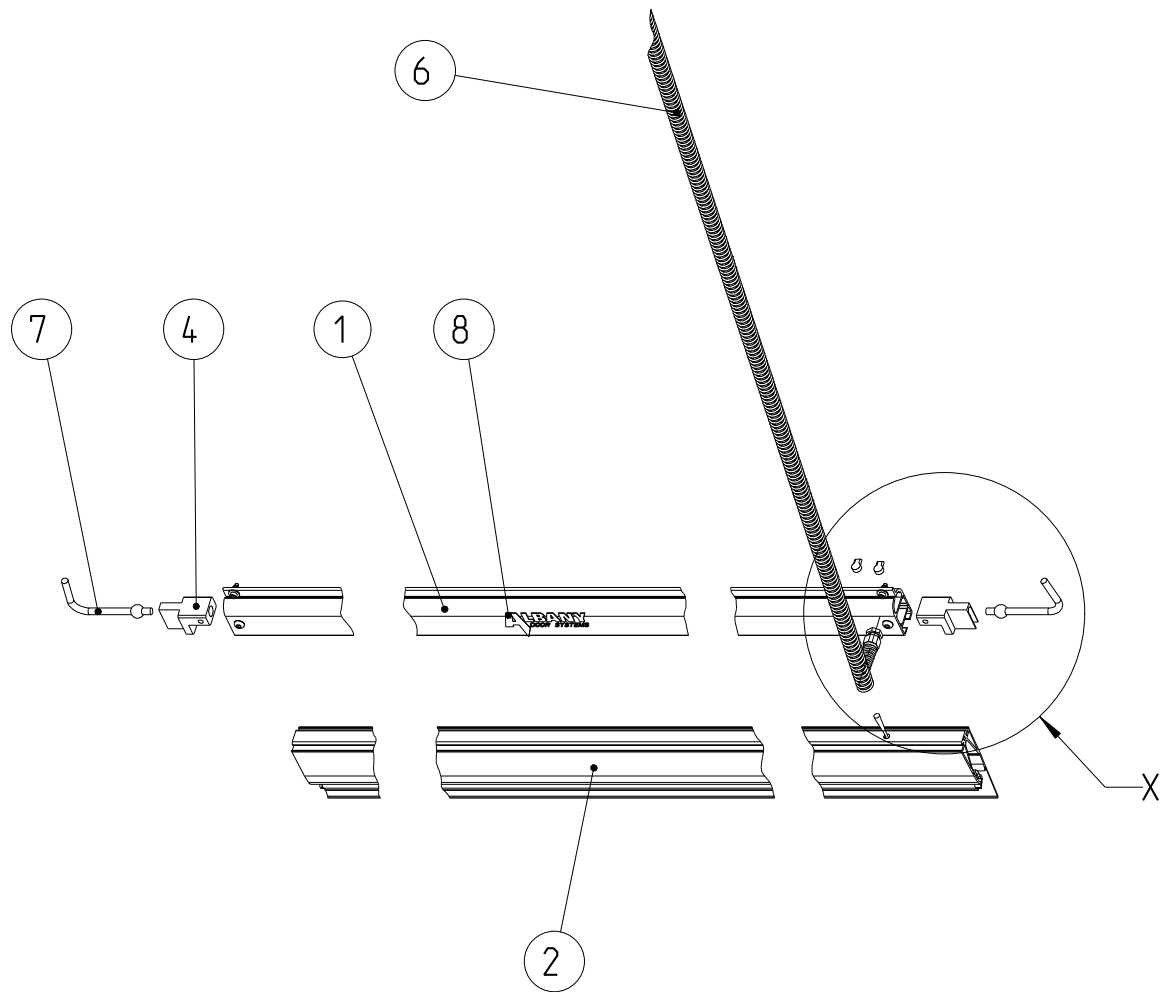
RR330, Version 18		Bemerkung Note	gültig ab ► gültig bis valid from ► valid to	Art.-Nr. Item-No		Delivery time class		Einheit Unit	Anzahl pro Tor Quantity per door	Verschleißteil part / Slijdetalij	Wear
Pos. Item	Description			1							
I Side frame right											
	Side frame 330 RH		► 2005-12	D8220RG253	G	B		1			
		Base price						Stck./pc.			
		Upcharge						m/H			
	Extra balance system	Balance system						Stck./pc.			
	Side frame 330 RH		2006-01 ►	D8220RG242	G	B	m	1			
1	Frame profile pre-drilled 330		► 2003-01	D4721RG147	G	B	m	1			
	Frame profile pre-drilled 330		2003-02 ► ► 2005-12	D4721RG120	G	B	m	1			
	Frame profile pre-drilled 330		2006-01 ►	D4721RG113	G	B	m	1			
2	Cover strip wide yellow	L=DH+170	2003-02 ►	D4050RG014	G	A	m	1			
3	Photocell set cpl	ACS 70	► 2005-12	D96-6410-93		A	Stck./pc.	1			
4	Photocell Bernstein transmitter			D4904R0211		A	Stck./pc.	1			
6	Cable photocell 13,5m 3x0.25			D4907R0035		A	Stck./pc.	1			
7	Pulley 330			D5003R0008		A	Stck./pc.	4		X	
8	Ratio in frame	curtain Tension		D8120R0058		A	Stck./pc.	1		X	
9	Cover profile side frame MSO/ASO	in front	► 2003-01	D4721RG151	G	C	m	1			
	Cover profile side frame MSO/ASO	sideward	► 2003-01	D4721RG152	G	C	m	1			
	Cover profile side frame MSO/ASO (incl. brackets)		2003-02 ►	D4721RG115	G	B	m	1			
10	Ratio MSO/ASO cpl			D8120R0059		A	Stck./pc.	1			
11	Rubber cord MSO/ASO			D4421RG038	G	A	m/H	1		X	
II Side frame left standard											
	Side frame 330 LH		► 2005-12	D8220RG254	G	B		1			
		Base price						Stck./pc.			
		Upcharge						m/H			
	Extra balance system	Balance system						Stck./pc.			
	Side frame 330 LH		2006-01 ►	D8220RG243	G	B		1			
1	Frame profile pre-drilled 330		► 2003-01	D4721RG148	G	B	m	1			
	Frame profile pre-drilled 330		2003-02 ► ► 2005-12	D4721RG121	G	B	m	1			
	Frame profile pre-drilled 330		2006-01 ►	D4721RG114	G	B	m	1			
2	Cover strip wide yellow	L=DH+170	2003-02 ►	D4050RG014	G	A	m	1			
3	Photocell set cpl	ACS 70	► 2005-12	D96-6410-93		A	Stck./pc.	1			
5	Photocell Bernstein receiver			D4904R0283		A	Stck./pc.	1			
6	Cable photocell 13,5m 3x0.25			D4907R0035		A	Stck./pc.	1			
7	Pulley 330			D5003R0008		A	Stck./pc.	4		X	
8	Ratio in frame	curtain Tension		D8120R0058		A	Stck./pc.	1		X	
9	Cover profile side frame MSO/ASO	in front	► 2003-01	D4721RG151	G	C	m	1			
	Cover profile side frame MSO/ASO	sideward	► 2003-01	D4721RG152	G	C	m	1			
	Cover profile side frame MSO/ASO (incl. brackets)		2003-02 ►	D4721RG116	G	B	m	1			
10	Ratio MSO/ASO cpl			D8120R0059		A	Stck./pc.	1			
11	Rubber cord MSO/ASO			D4421RG038	G	A	m/H	1		X	

Top roll with door blade	RR 330
Wickelwelle mit Torbehang	RR 330
Vals med Portblad	RR 330



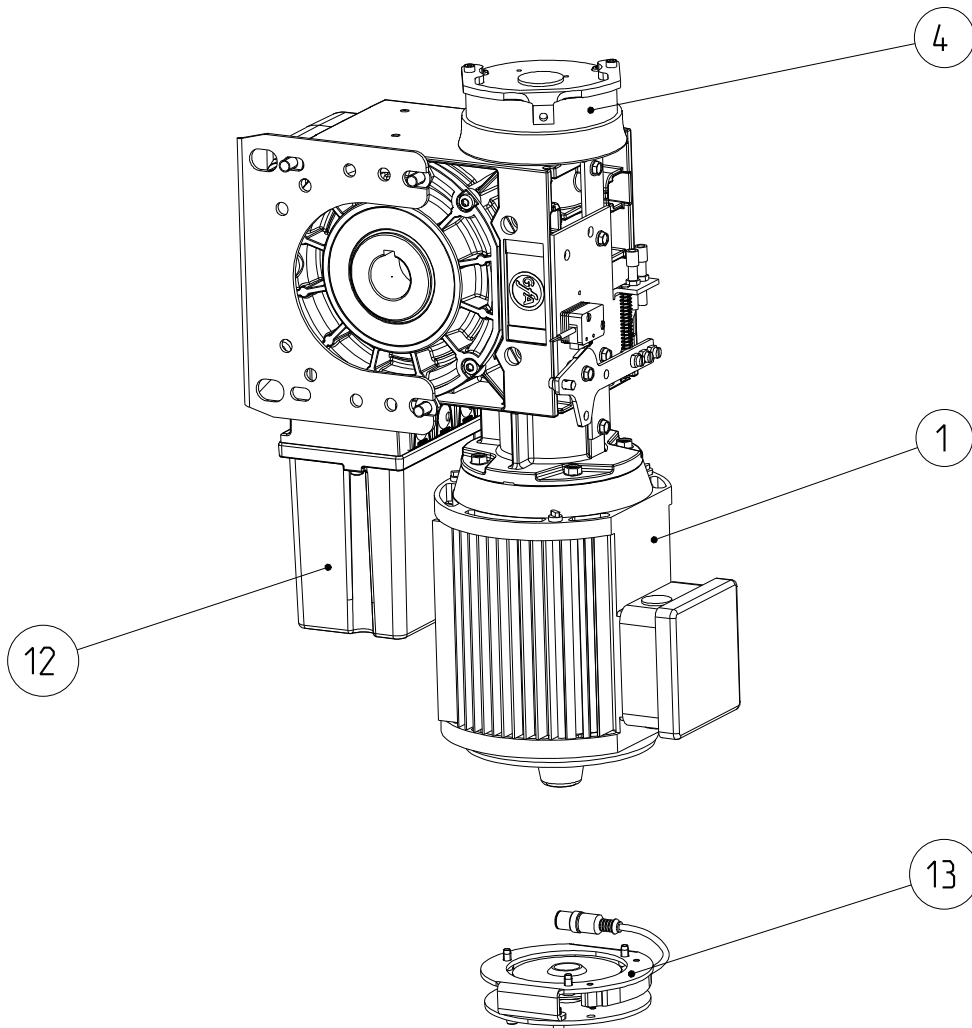
RR330, Version 18		Bemerkung Note	gültig ab ► gültig bis valid from ► valid to	Art.-Nr. Item-No		Delivery time class		Einheit Unit	Anzahl pro Tor Quantity per door	Verschleißteil part / Slitdetailj Wear
Pos. Item	Description			1						
III	Top roll / curtain									
1	Top roll 330 cpl	ACS 50/70	2003-02 ► ► 2005-12	D8240RG107	G	B	m	1		
	Top roll 330 cpl		2006-01 ►	D8240RG107	G	B	m	1		
2	Rope balancing white 8 m			D5105R0031		A	Stck./pc.	2-4	X	
3	Rope drum single	curtain tension		D4721V0008		A	Stck./pc.	0-2		
	Rope drum double	MSO/ASO in front		D4721V0009		A	Stck./pc.	0-2		
4	Bearing			D8140R0005		A	Stck./pc.	2		
5	Door blade PVC with stripes			D8230RG058	G	C		1		
		Base price					Stck./pc.			
		Upcharge					m²			
	Door blade PVC with stripes	Upcharge			G	C	m²	1		
	Portblad / Rolltex Plus / Original / NomaTex			D8230RG312	G			1		
		Base price		D8230RG312b			Stck./pc.			
	Rolltex Plus / RollTex Original	Upcharge				C	m²			
		Upcharge				D	m²			
	Nomatex	Upcharge				D	m²			
	Window horizontal / vertical					C	Stck./pc.			
	Vision ares doorblade NomaTex					C	m/w			
	Door blade Travitop 0,8 without vision panel	blue or red			D8230RG062	G	C	m²	1	
	Door blade Travitop 0,8 without vision panel	special colour			D8230RG062	G	C	m²	1	
Door blade Travitop 0,8 with vision panel	blue or red			D8230RG062	G	C	m²	1		
Door blade Travitop 0,8 with vision panel	special colour			D8230RG062	G	C	m²	1		
6	Windbreaktap (12 pcs.)			D8130R0009		A	Stck./pc.		X	
7	Distance rod			D4721RG056	G	B	m			
8	stub axle MSO/ASO (new side frame required)	retrofit kit	► 2003-01	D8140R0066		A	Stck./pc.	1		

Bottom beam Mini	RR 330
Abschlussprofil Mini	RR 330
Bottenbalk Mini	RR 330



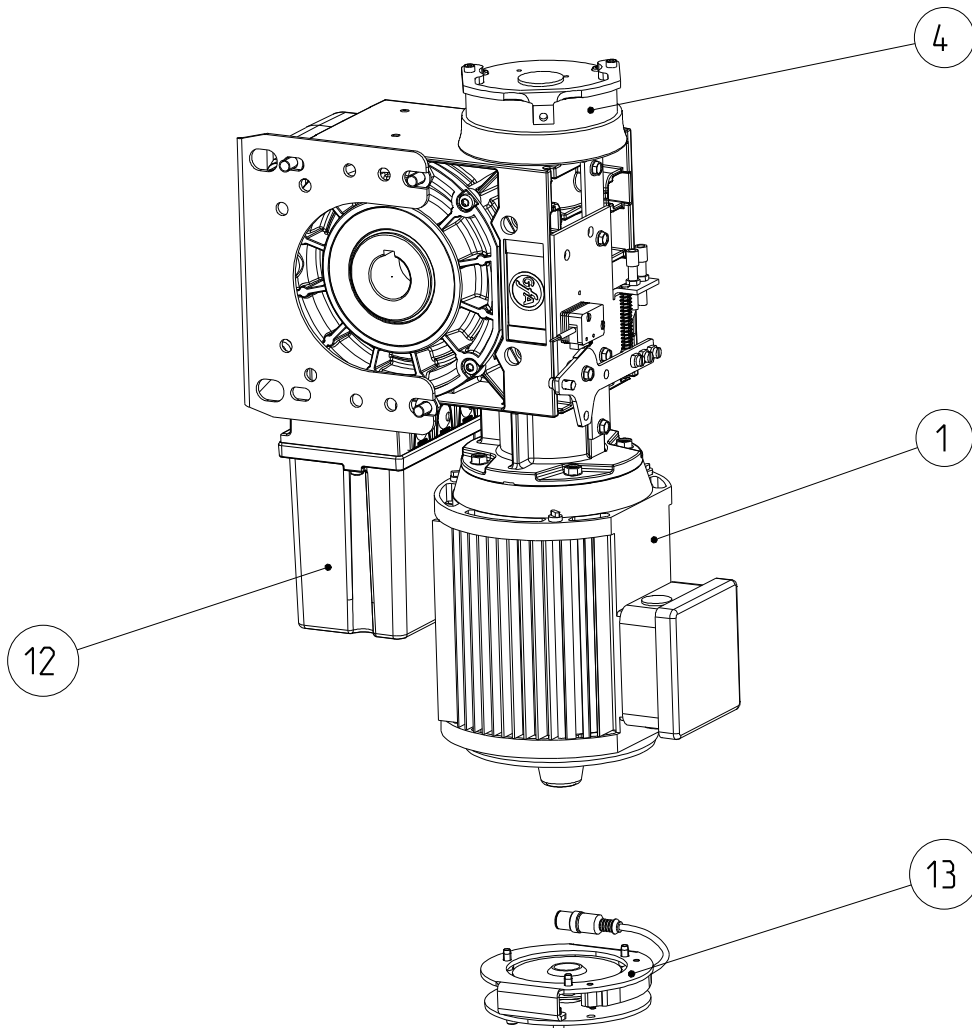
RR330, Version 18			gültig ab ► gültig bis valid from ► valid to			Delivery time class	Einheit Unit	Anzahl pro Tor Quantity per door	Verschleißteil Wear part / Slitdetail
Pos. Item	Description	Bemerkung Note		Art.-Nr. Item-No	1				
IV	Bottom profile with safety edge								
	Bottom beam			D8550RG042	G	B	m	1	
1	Bottom beam pre-drilled 330		► 2005-12	D4721RG124	G	A	m	1	
	Bottom beam pre-drilled 330		2006-01 ►	D4721RG069	G	A	m	1	
2	Rubber profile with integrated safety edge			D4421RG036	G	B	m	1	
	Rubber profile elongated sealing-lip			D4421RG037	G	C	m	1	
4	Sliding guide 330			D4121V0006		A	Stck./pc.	2	X
	Sliding guide SRD 330			D4121R0264		A	Stck./pc.	2	X
5	Connector 3M UR2			D4910V0013		A	Stck./pc.	2	
6	Coil cable 3x0.75		► 2004-04	D96-6105-96		A	Stck./pc.	1	X
	Coil cable 5x0.75		2004-05 ►	D4907R0038		A	Stck./pc.	1	X
7	Rubber cord			D4421RG039	G	A	m	2	X
8	Albany sign 100x40			D6403V0003		A	Stck./pc.	2	

Drive unit complete	RR 330
Antrieb komplett	RR 330



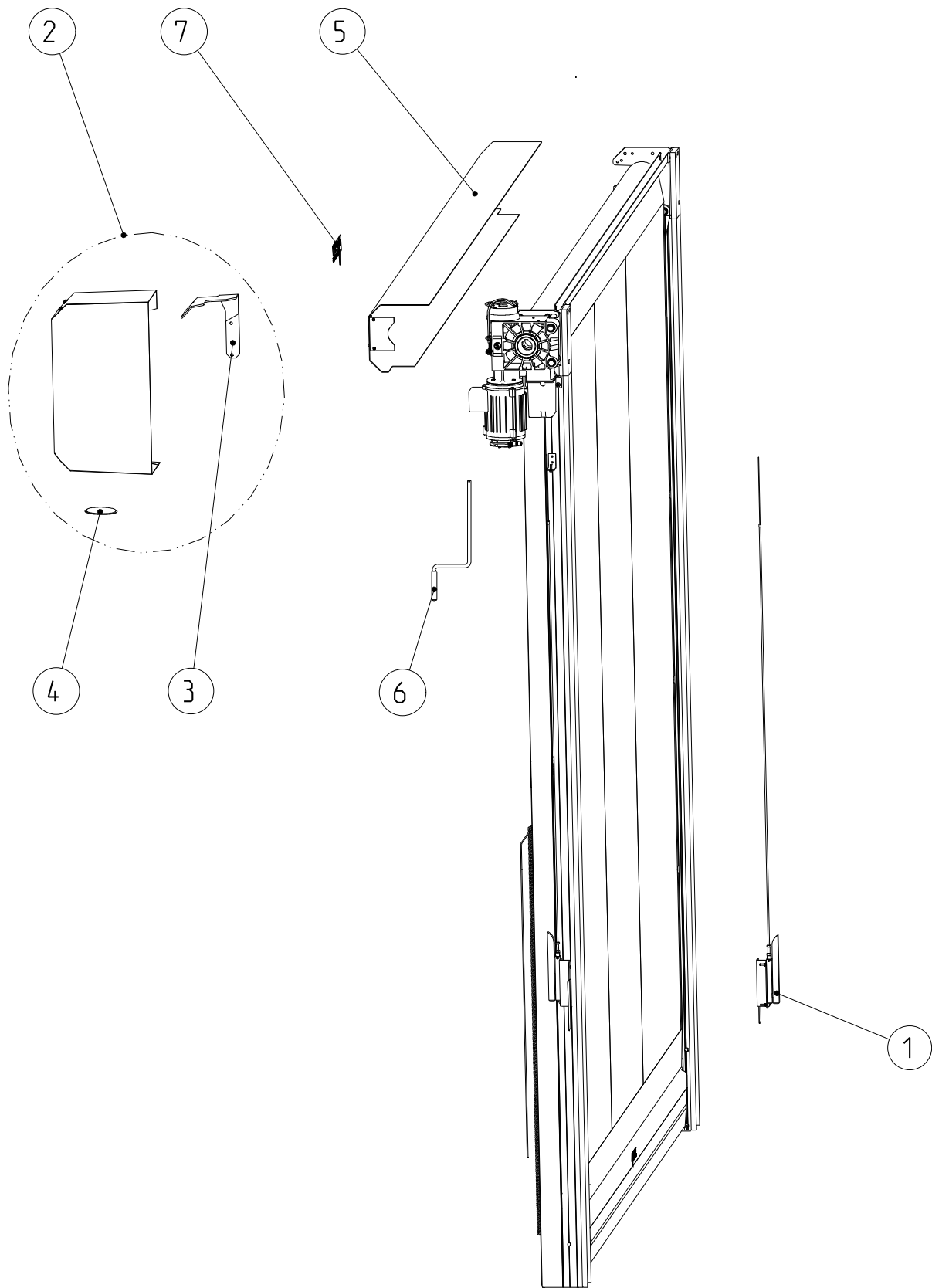
RR330, Version 18			gültig ab ► gültig bis valid from ► valid to			Delivery time class	Einheit Unit	Anzahl pro Tor Quantity per door	Verschleißteil Wear part / Sliedetaij
Pos. Item	Description	Bemerkung Note		Art.-Nr. Item-No	1				
V	Drive unit ACS 50/70								
1	Drive unit ACS 70 1.1kW Swedrive cpl	ACS 70		D96-9312-XX		A	Stck./pc.	1	
	Drive unit ACS 50 0.75kW Swedrive cpl	ACS 50	► 2005-12	D3202V0001		A	Stck./pc.	1	
2	Gearbox Swedrive standard	ACS 70		D03-9001-25		A	Stck./pc.	1	
	Gearbox Swedrive standard	ACS 50	► 2005-12	D03-9001-25		A	Stck./pc.	1	
3	Motor BN80 B4 1.1kW	ACS 70		D03-0702-25		A	Stck./pc.	1	
	Motor SKH 80-6B 0.75kW B14	ACS 50	► 2005-12	D6620V0005		A	Stck./pc.	1	
4	Brake 14Nm 24VDC	ASO	► 2003-12	D03-0133-25		A	Stck./pc.	1	X
	Brake 14Nm 190VDC	ACS 70		D03-0132-25		A	Stck./pc.	1	X
	Brake 8Nm 200VDC	ACS 50	► 2005-12	D6622V0001		A	Stck./pc.	1	X
5	Clutch bowex j19 19/19	ACS 70		D03-0095-25		A	Stck./pc.	1	
	Clutch bowex j19 19/19	ACS 50	► 2005-12	D03-0095-25		A	Stck./pc.	1	
6	Limit switch crank Ovitor	w.o. MSO/ASO		D4905V0077		A	Stck./pc.	1	
	Limit switch crank Ovitor ACS 50	w.o. MSO/ASO	► 2005-12	D4905V0077		A	Stck./pc.	1	
7	Bracket crank switch	w.o. MSO/ASO		D4521V0107		A	Stck./pc.	1	
	Bracket crank switch ACS 50	w.o. MSO/ASO	► 2005-12	D4521V0107		A	Stck./pc.	1	
8	Inductive sensor for zero pulse 330 cpl	ACS 70		D3201V0003		A	Stck./pc.	1	
9	Inductive sensor M12 NO PNP with 5m cable	ACS 70		D4904V0069		A	Stck./pc.	1	
10	A-pos RH with 5 m cable (green)	ACS50 / DH<=3.5	► 2006-08	D4904V0063		A	Stck./pc.	1	X
	A-pos LH with 5 m cable (red)	ACS50 / DH<=3.5	► 2006-08	D4904V0065		A	Stck./pc.	1	X
	A-pos RH 15 turn with 10 m cable	ACS50 / DH>3.5	► 2006-08	D4904V0058		A	Stck./pc.	1	X
	A-pos LH 15 turn with 10 m cable	ACS50 / DH>3.5	► 2006-08	D4904V0057		A	Stck./pc.	1	X
11	Rubber bush 100-b + screw	ACS 70		D96-4830-91		A	Stck./pc.	1	X
	Rubber bush 100-b + screw	ACS 50	► 2005-12	D96-4830-91		A	Stck./pc.	1	X

Drive unit complete	RR 330
Antrieb komplett	RR 330



RR330, Version 18		Bemerkung Note	gültig ab ▶ valid from gültig bis ▶ valid to	Art.-Nr. Item-No		Delivery time class		Einheit Unit	Anzahl pro Tor Quantity per door	Verschleißteil part / Sliedetaij	Wear	
Pos. Item	Description			1								
VI	Drive unit ACS 50 / MCC 2006-01 ▶											
	Gear motor complete, drive GfA (no E-Connection)	ACS50, MCC, without control; drive GfA	2006-01 ▶	D8410RG085	G	C		1				
	Antrieb ACS 50 fail safe brake							Stck./pc.				
	ACS 50 open circuet brake							Stck./pc.				
	MCC fail safe brake							Stck./pc.				
	MCC open circuet brake brake							Stck./pc.				
1	Gear motor 0,75 kW GfA	ACS50, without control; drive GfA	2007-03 ▶	D8910R0084		A	Stck./pc.	1				
	Gear motor 0,75 kW GfA	MCC; drive GfA	2007-03 ▶	D8910R0086		A	Stck./pc.	1				
	Gear motor, drive Nord corp.	ACS50, without control; drive Nord	2006-01 ▶ ▶2007-02	D8910R0093		A	Stck./pc.	1				
	Gear motor, drive Nord corp.	MCC; drive Nord	2006-01 ▶ ▶2007-02	D8910R0075		A	Stck./pc.	1				
	Retrofit drive Nord corp. to GfA corp.	ACS50	2006-01 ▶ ▶2007-02	D8410RG094	G	B	Stck./pc.					
	Retrofit drive Nord corp. to GfA corp.	MCC	2006-09 ▶ ▶2007-02	D8410RG094		B	Stck./pc.					
4	Brake (fail safe brake (standard)), for drive GfA	ACS 50 / MCC	2007-03 ▶	D6622R0026		A	Stck./pc.	1				
10	A-pos RH with 5 m cable (green)	ACS50 / DH<=3.5	▶ 2006-08	D4904V0063		A	Stck./pc.	1		X		
	A-pos LH with 5 m cable (red)	ACS50 / DH<=3.5	▶ 2006-08	D4904V0065		A	Stck./pc.	1		X		
	A-pos RH 15 turn with 10 m cable	ACS50 / DH>3.5	▶ 2006-08	D4904V0058		A	Stck./pc.	1		X		
	A-pos LH 15 turn with 10 m cable	ACS50 / DH>3.5	▶ 2006-08	D4904V0057		A	Stck./pc.	1		X		
11	Rubber bush		2006-01 ▶ ▶2006-08	D4421R0038		A	Stck./pc.	1		X		
	Rubber bush, for drive Nord		2006-09 ▶ ▶2007-02	D5004R0041		A	Stck./pc.	1		X		
12	Geared limit switch, for drive Nord	ACS 50 / MCC	2006-09 ▶ ▶ 2007-02	D4906R0053		A	Stck./pc.	1				
	Limit switch section, 6 switches, for drive GfA	ACS 50 / MCC	2007-03 ▶	D4905018		A	Stck./pc.	1				
	Cam, for drive GfA	ACS 50 / MCC	2007-03 ▶	D4801240		A	Stck./pc.	6				
13	Encoder MCC with bracket for drive GfA	MCC	2007-03 ▶	D8410R0080		B	Stck./pc.	1				
14	Control cable, for drive GfA	ACS50, without control; drive GfA	2006-01 ▶	D8903RG144	G	B		1				
		Base price					Stck./pc.					
		Upcharge					m					
	Control cable, for drive Nord	MCC, drive GfA			D8903RG145							
		Base price						Stck./pc.				
		Upcharge						m				
Control cable, for drive Nord	MCC; drive Nord	2006-01 ▶ ▶2007-02	D8830RG046	G	B		1					
Control cable, for drive Nord	ACS50, without control; drive Nord	2006-01 ▶ ▶2007-02	D8830RG047	G	B		1					

RR 330	Options
RR 330	Optionen



RR330, Version 18			gültig ab ► gültig bis valid from ► valid to			Delivery time class	Einheit Unit	Anzahl pro Tor Quantity per door	Verschleißteil Wear part / Slitdetailj
Pos. Item	Description	Bemerkung Note		Art.-Nr. Item-No	1				
VII Options									
1	Brake release cpl one side			D8170RG022	G	B	Stck./pc.	1	
2	Motor cover cpl RH			D8160R0111		B	Stck./pc.	1	
	Motor cover cpl LH			D8160R0112		B	Stck./pc.	1	
3	Bracket motor cover RH		2008-04 ►	D4521R1495		A	Stck./pc.	1	
	Bracket motor cover LH			D4521R1496		A	Stck./pc.		
4	Cover black			D4121R0222		A	Stck./pc.	1	
5	Top roll cover 330 cpl		► 2003-01	D8260RG030	G	C	m	1	
	Top roll cover 330 cpl		2003-02 ►	D8260RG004	G	C	m	1	
6	Crank 1.0m Bonfiglioli	w.o MSO/ASO	► 2005-12	D00-9125-01		A	Stck./pc.	1	
	Crank 1.5m Bonfiglioli	w.o MSO/ASO	► 2005-12	D00-9125-02		A	Stck./pc.	1	
	Crank 2.0m Bonfiglioli	w.o MSO/ASO	► 2005-12	D00-9125-03		A	Stck./pc.	1	
	Crank short Bonfiglioli	w.o MSO/ASO	► 2005-12	D00-9125-04		A	Stck./pc.	1	
7	Albany sign 250x100			D6403V0001		A	Stck./pc.	1	

Legend	
1	
G	Generic Item
Delivery time	
A	Within 24 hours
B	2-3 Workdays
C	5-8 Workdays
D	10-14 Workdays
E	On request
Wear parts	
x	Standard wear with time/use

