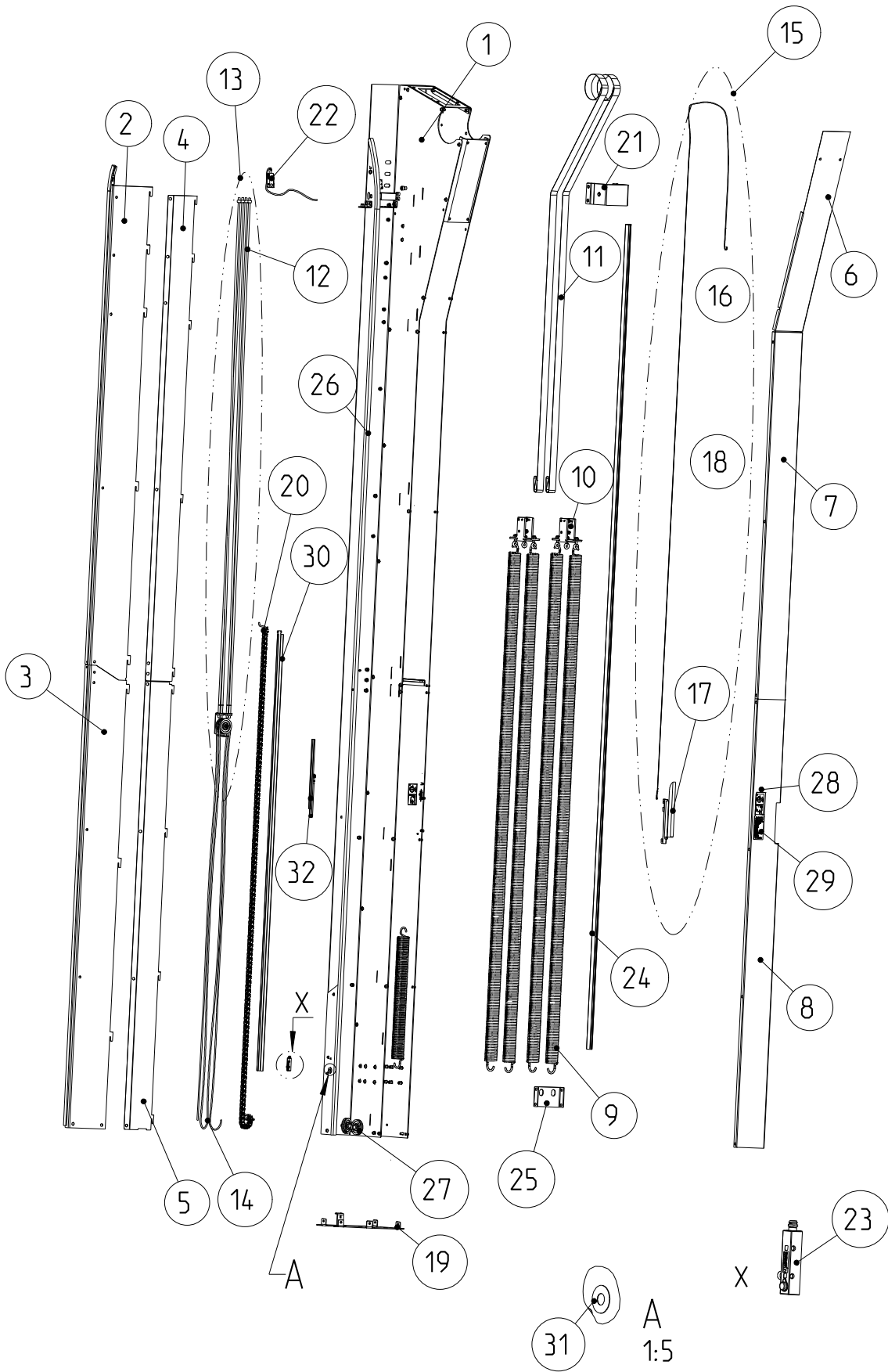


**Spare part list**  
**RR 3000 L**



2013-05 Index 00

Side frame right	RR3000, -L, -GL
Seitenteil rechts	RR3000, -L, -GL

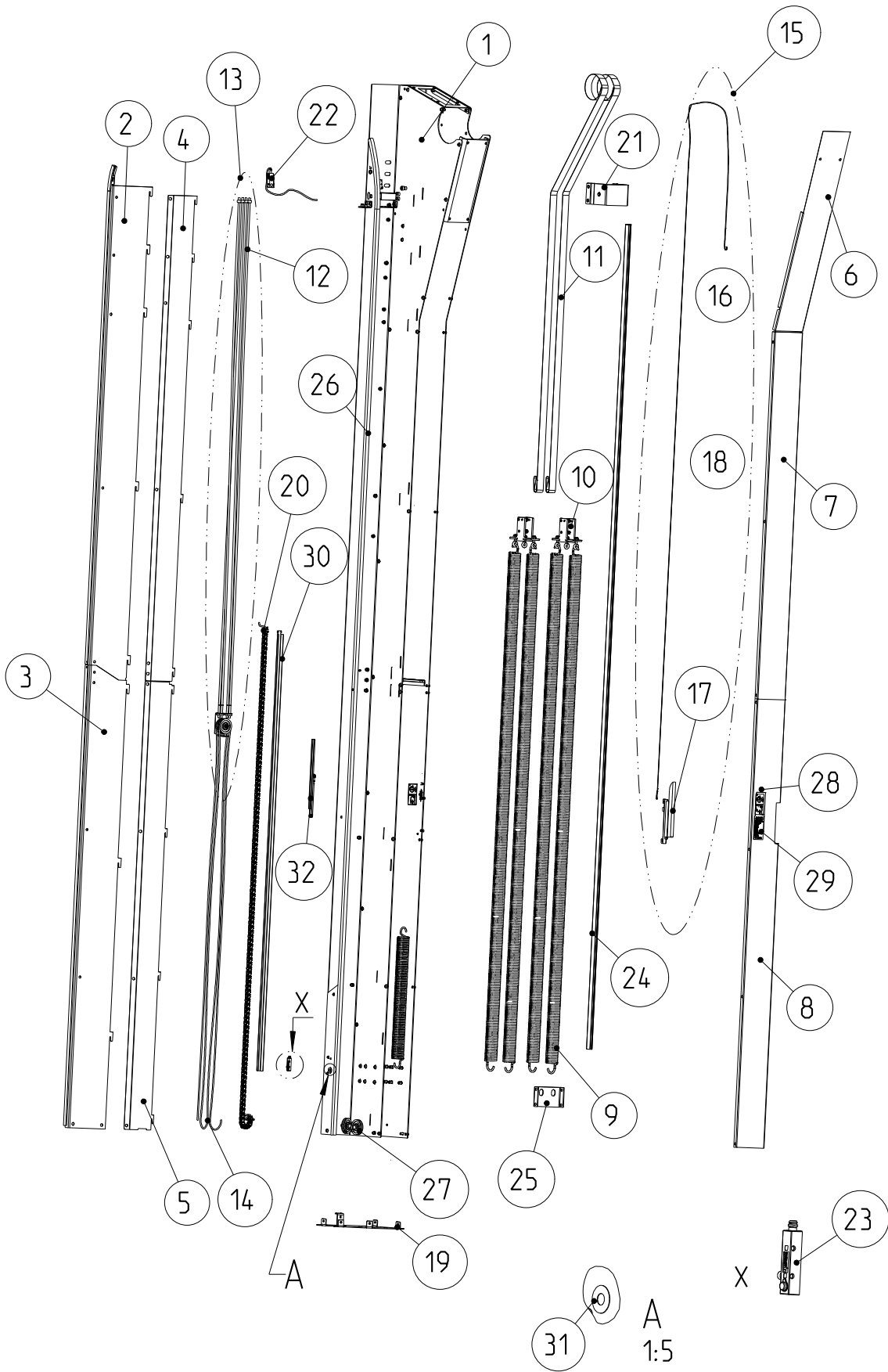


A  
1:5

RR 3000L, Version 22				gültig ab ▲ gültig bis valid from ▲ valid to			Delivery time class	Einheit	Anzahl pro Tor Quantity per door	Verschleißteil part / Slitdetail	Wear
Pos. Item	Description	Bemerkung Note	Art.-Nr. Item-No		1						
I	<b>Side frame right Side frame left (mirror image)</b>										
1	Side frame RH compl.		D8220RG215	G	C	Stck./pc.	1				
	Side frame LH compl.		D8220RG216	G	C	Stck./pc.	1				
2	Guide cover top RH		D4521RG151	G	C	Stck./pc.	1				
	Guide cover top LH		D4521RG152	G	C	Stck./pc.	1				
3	Guide cover bottom RH		D4521R1101		C	Stck./pc.	1				
	Guide cover bottom LH		D4521R1102		C	Stck./pc.	1				
	Guide cover RH	H<2375	D4521RG159	G	C	Stck./pc.	1				
	Guide cover LH	H<2375	D4521RG160	G	C	Stck./pc.	1				
4	Gusset cover top RH		D4521RG149	G	C	Stck./pc.	1				
	Gusset cover top LH		D4521RG150	G	C	Stck./pc.	1				
5	Gusset cover bottom RH		D4521R1099		C	Stck./pc.	1				
	Gusset cover bottom LH		D4521R1100		C	Stck./pc.	1				
	Gusset cover RH	H<2375	D4521RG163	G	C	Stck./pc.	1				
	Gusset cover LH	H<2375	D4521RG164	G	C	Stck./pc.	1				
6	Spring cover top		D4521R0957		C	Stck./pc.	2				
7	Spring cover middle	H>3000	D4521RG109	G	C	Stck./pc.	2				
8	Spring cover bottom (side of bearing)	H>3000	D4521R0974		C	Stck./pc.	1				
	Spring cover bottom (side of bearing)	H<=3000	D4521RG111	G	C	Stck./pc.	1				
	Spring cover bottom RH (side of unit)	H>3000	D4521R0972		C	Stck./pc.	1				
	Spring cover bottom LH (side of unit)	H>3000	D4521R0973		C	Stck./pc.	1				
	Spring cover bottom RH (side of unit)	H<=3000	D4521RG113	G	C	Stck./pc.	1				
	Spring cover bottom LH (side of unit)	H<=3000	D4521RG115	G	C	Stck./pc.	1				
9	Tension spring short L=600mm	H < 2000	D4802R0010		A	Stck./pc.	max 12	X			
	Tension spring short L=976mm	2000<=H<3000	D4802R0009		A	Stck./pc.	max 12	X			
	Tension spring middle L=1397mm	3000<=H<4000	D4802R0007		A	Stck./pc.	max 12	X			
	Tension spring long L=2193mm	H>=4000	D4802R0008		A	Stck./pc.	max 12	X			
10	Spring suspension top complete		D8220R0050		A	Stck./pc.	4				
11	Belt (blue), L=6000		D5105R0081		A	Stck./pc.	4	X			
13	Redirection rope with cable		D8120RG046	G	B	Stck./pc.	2				
14	Rope for curtain tension, L=8000		D5105R0031		A	Stck./pc.	2				
15	Emergency lever		D8220RG218	G	B	Stck./pc.	1				
19	Bottomplate RH		D4521R1064		A	Stck./pc.	1				
	Bottomplate LH		D4521R1065		A	Stck./pc.	1				

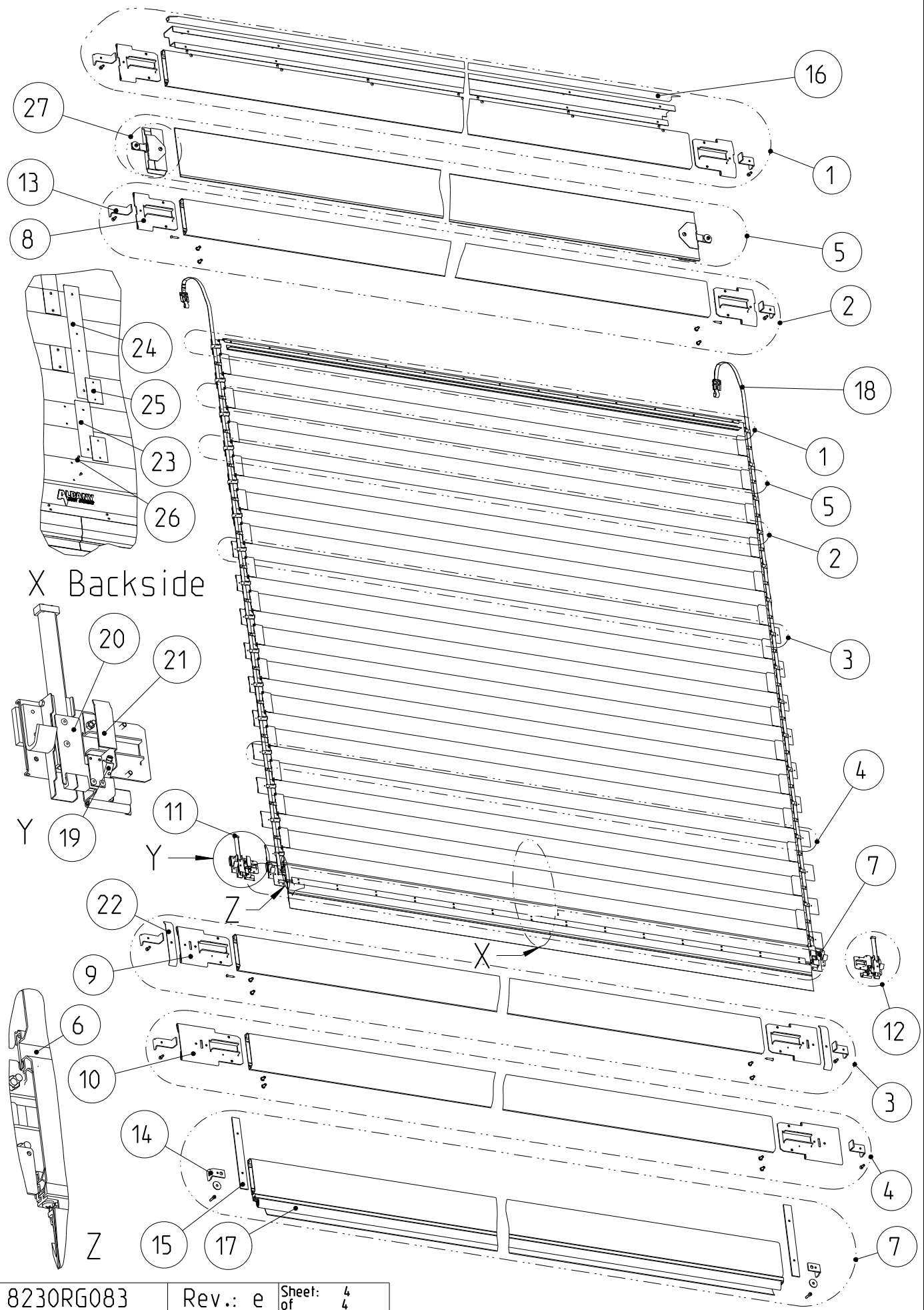
(\* Data of W, H [mm] and drive side is necessary)

Side frame right	RR3000, -L, -GL
Seitenteil rechts	RR3000, -L, -GL



RR 3000L, Version 22			gültig ab ▲ gültig bis valid from ► valid to			Delivery time class	Einheit	Anzahl pro Tor Quantity per door	Verschleißteil Wear part / Slitdetail
Pos. Item	Description	Bemerkung Note		Art.-Nr. Item-No	1				
I	<b>Side frame right Side frame left (mirror image)</b>								
20	Cable Chain complete drive unit side	(*)	D8520RG013	G	B	Stck./pc.	1		
	Cable Chain complete non drive unit side	(*)	D8520RG014	G	B	Stck./pc.	1		
	Connecting cable 4m	drive side H<=2500	D4907R0024		A	Stck./pc.	1		
	Connecting cable 6m	drive side 2500<H<=4500 non drive side (H+W)<=4500	D4907R0029		A	Stck./pc.	1		
	Connecting cable 8m	drive side H>4500 non drive side 4500<(H+W)<=6500	D4907R0030		A	Stck./pc.	1		
	Connecting cable 10m	non drive side 6500<(H+W)<=8500	D4907R0032		A	Stck./pc.	1		
	Connecting cable 12m	non drive side 8500<(H+W)<=10500	D4907R0023		A	Stck./pc.	1		
	Connecting cable 14m	non drive side 10500<(H+W)<=12500	D4907R0031		A	Stck./pc.	1		
21	Belt receptacle		D8120R0092		A	Stck./pc.	1		
22	Proximity switch M8 10E Plugconnector		D4905R0082		A	Stck./pc.	1		
	Connecting cable 2m with 2 M8 plugs	drive side	D4907R0044		A	Stck./pc.	1		
23	Photocell transmitter without bracket - blue	RH	D4904R0547		A	Stck./pc.	1		
	Photocell receiver without bracket - black	LH	D4904R0548		A	Stck./pc.	1		
24	Cable Duct complete	L=2000	D8120R0049		A	Stck./pc.	4		
25	Spring Suspension		D4521R1090		A	Stck./pc.	6		
26	Sliding rail 3000 mm long		D4121R0335		A	Stck./pc.	8	X	
27	Rope pulley		D5003R0001		A	Stck./pc.	8		
28	Label emergency lever		D6403R0009		A	Stck./pc.	1		
29	Door label		D6403RG002	G	A	Stck./pc.	1		
30	Guide calbe chain	L=H/2 - 100	D4721RG102	G	B	Stck./pc.	2		

(\*) Data of W, H [mm] and drive side is necessary



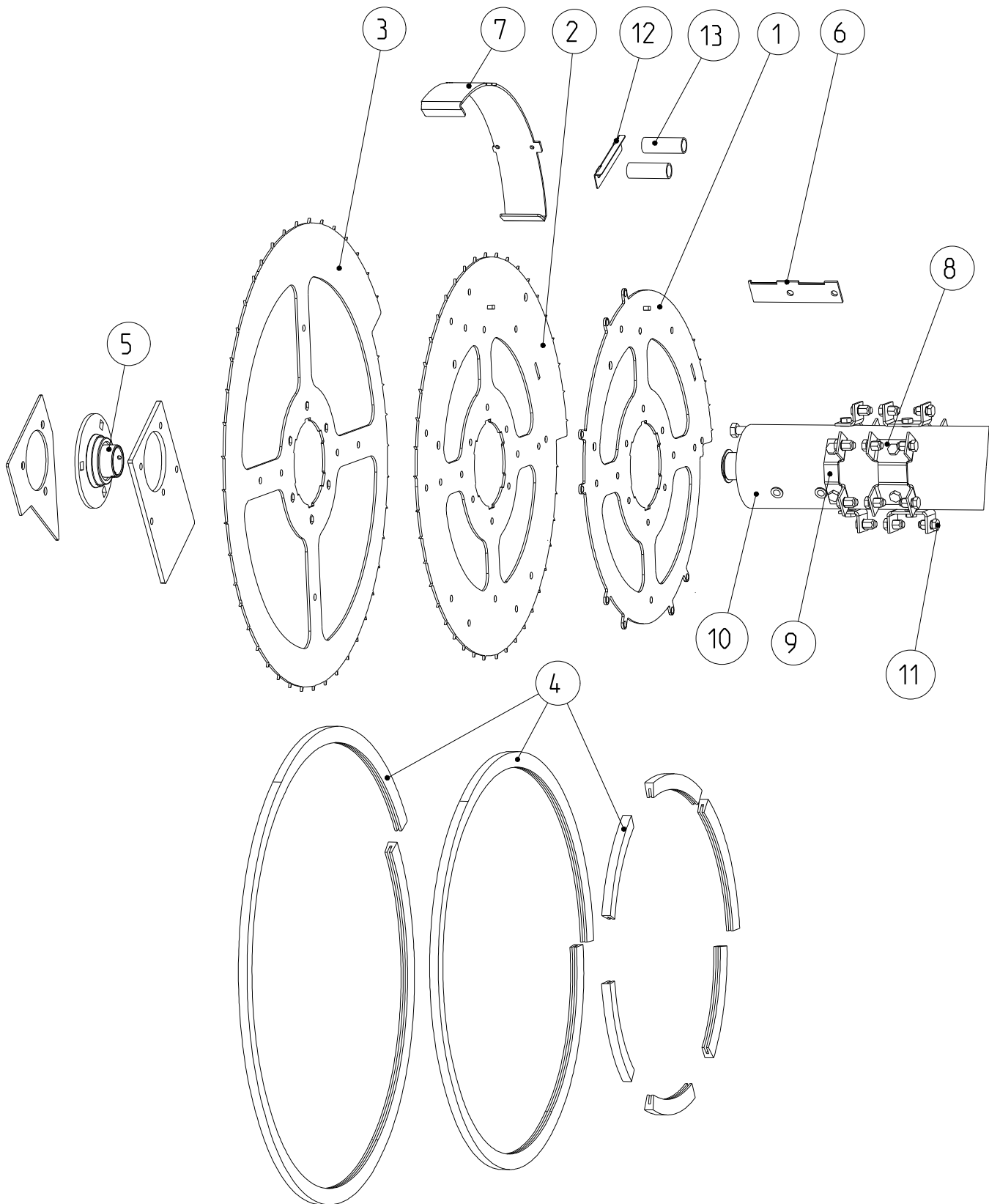
RR 3000L, Version 22										
Pos. Item	Description	Bemerkung Note	gültig ab valid from	Art.-Nr. Item-No	Delivery time class		Einheit Unit	Anzahl pro Tor Quantity per door	Verschleißteil part / Slitdetail	Wear
					1					
<b>II</b>	<b>Panel Door Blade Type 2</b>									
1	Top lamella, with intel sealing			D8330RG007	G	B	m	1		
2	Lamella L 1 with extension piece 1 - short (*)			D8330RG002	G	B	m	max 10		
3	Lamella L 2A with extension piece 2 - middle (*)			D8330RG003	G	B	m	max 13		
4	Lamella L 3A with extension piece 3 - long (*)			D8330RG004	G	B	m	max 15		
5	PVC Keder Section	transparent/grey		D8330RG005	G	B	m	max 19		
6	Sealinglamella L	L=W+50		D4021RG001	G	B	m	1		
8	Extension piece 1L, short			D4521R1141		A	Stck./pc.	max 22		
9	Extension piece 2L, middle			D4521R1142		A	Stck./pc.	max 26		
10	Extension piece 3L, long			D4521R1143		A	Stck./pc.	max 30		
11	Extension piece 4L re, for bottom lamella	pre running photocell RH (**)		D8150R0114		A	Stck./pc.	1		
	Extension piece 5L re, for bottom lamella	el. safety edge RH		D8150R0076						
12	Extension piece 4L li, for bottom lamella	pre running photocell LH (**)		D8150R0115		A	Stck./pc.	1		
	Extension piece 5L li, for bottom lamella	el. safety edge LH		D8150R0077						
13	Clamping lug standard			D4521R0966		A	Stck./pc.	max 78		
14	Clamping lug extension piece 4	H>3250		D4521R1028		A	Stck./pc.	max 2		
15	Connecting lug extension piece 4	H<=3250		D4521R1069		A	Stck./pc.	max 2		
16	Sealing top lamella			D4421RG011	G	B	m	1		
17	Bottom lamella with rubber profile, without extension piece 4 (*)	pre running photocell	►2010-12	D8330RG008	G	B	m	1		
	Bottom rubber profile		2011-01 ►	D4402RG006	G	B	m	1		
	Rubber profile extended sealing lip cut-to-size			D4421RG016	G	C	m	1		
	Lamella bottom with safety edge	el. safety edge		D8230RG331	G	B	m	1		
	Lamella bottom with safety edge, elong. sealing-lilp			D8230RG332	G	C	m	1		
	Rubber profile with integrated safety edge			D4421RG043	G	B	m	1		
	Rubber profile elongated sealing-lilp			D4421RG044	G	C	m	1		
18	Flat belt complete Assembly RR3000	Applicable for all door sizes (RH + LH)		D8240R0020		A	Satz/Set	1	x	
	Add on belt 3000 set	retrofit old doors	►2010-12	D8240R0024		A	Satz/Set	1	x	
	Flat belt L 6000 mm	Not f. compl. belt exchange		D4121R0299		A	Stck./pc.	max 2		
19	Safety photocell receiver - grey	RH (**)	►2011-08 just in pair	D4904R0546		A	Stck./pc.	1		
	Safety photocell transmitter - red	LH (**)	2011-09 ► also single	D4904R0544		A	Stck./pc.	1		
20	Bracket pre running photocell RH			D4521R0943		A	Stck./pc.	1		
	Bracket pre running photocell LH			D4521R1023		A	Stck./pc.	1		
21	Activator Proxility switch RH			D4521R0981		A	Stck./pc.	1		
	Activator Proxility switch LH			D4521R0982		A	Stck./pc.	1		
22	Support plate belt	H>3250		D4521R1195		A	Stck./pc.	max 16		
23	Support sheet 250mm	W>3600		D4521R1190		A	Stck./pc.	max 1		
24	Support sheet 500mm	W>3600		D4521R1189		A	Stck./pc.	max 9		
25	Clamp plate	W>3600		D4721R0169		A	Stck./pc.	max 20		
26	Blind rivet 4,8x10 DIN 7737	W>3600		D5413R0280		A	Stck./pc.	max 40		
27	End piece cpl.			D8130R0010		B	Stck./pc.	max 38		
28	Flat belt repair-kit	2 belts (1000mm) with clamping parts		D8130R0011		A	Stck./pc.	1		

Description RH and/or LH see legend

(\*) With clamping plates (position 13) and screws

(\*\*) Doors ordered before end of 2011/08 needs a pair of Transmitter/Receiver (Pos.19)

Barrel L complete	RR3000L
Wickelwelle L kompl.	RR3000L
Vals L komplett	RR3000L





RR 3000L, Version 22			gültig ab ▶ valid from	gültig bis ▶ valid to	Art.-Nr. Item-No	1	Delivery time class	Einheit Unit	Anzahl pro Tor Quantity per door	Verschleißteil part / Slitdetail	Wear
Pos. Item	Description	Bemerkung Note									
<b>III</b>	<b>Barrel complete with Door blade</b>										
	Top roll with door blade RR3000L complete (*)	Transport pallet cpl. included			D8240RG171	G	D		1		
		Base price						Stck./pc.			
		Upcharge						m <sup>2</sup>			
	Barrel L1 complete (*)				D8240RG141	G	D	Stck./pc.	1		
	Barrel L1c complete (*)	Chain drive			D8240RG142	G	D	Stck./pc.	1		
1	Spiral disk 1L		▶ 2010-01		D4521R1157		A	Stck./pc.	2		
			2010-01 ▶		D4521R1806		A	Stck./pc.	2		
2	Spiral disk 2L		▶ 2010-01		D4521R1158		A	Stck./pc.	2		
			2010-01 ▶		D4521R1807		A	Stck./pc.	2		
3	Spiral disk 3L LH	H>3250	▶ 2010-01		D4521R1184		A	Stck./pc.	1		
	Spiral disk 3L RH	H>3250	▶ 2010-01		D4521R1183		A	Stck./pc.	1		
	Spiral disk 3L		2010-01 ▶		D4521R1808		A	Stck./pc.	2		
4	Dampener disks, L=2000mm				D8140R0072		A	Stck./pc.	6		X
5	Bearing d 35				D8140R0060		A	Stck./pc.	2		
6	Bracket belt				D4521R0953		A	Stck./pc.	2		
7	Winding plate				D4521R0941		A	Stck./pc.	2		
8	Angle Disc 1 cpl.				D4521R1179		A	Stck./pc.	max 6		
9	Bracket Disc 3				D4521R1167		A	Stck./pc.	max 6		
11	Hex head screw M8x20 scotch grip				D5402R0378		A	Stck./pc.	max 61		
12	Center plate				D4721R0207		A	Stck./pc.	max 8		
13	Distance sleeve				D5003R0011		A	Stck./pc.	max 16		
14	only chain drive	only chain drive			D5103R0082		A	Stck./pc.	1		

Description RH and/or LH see legend

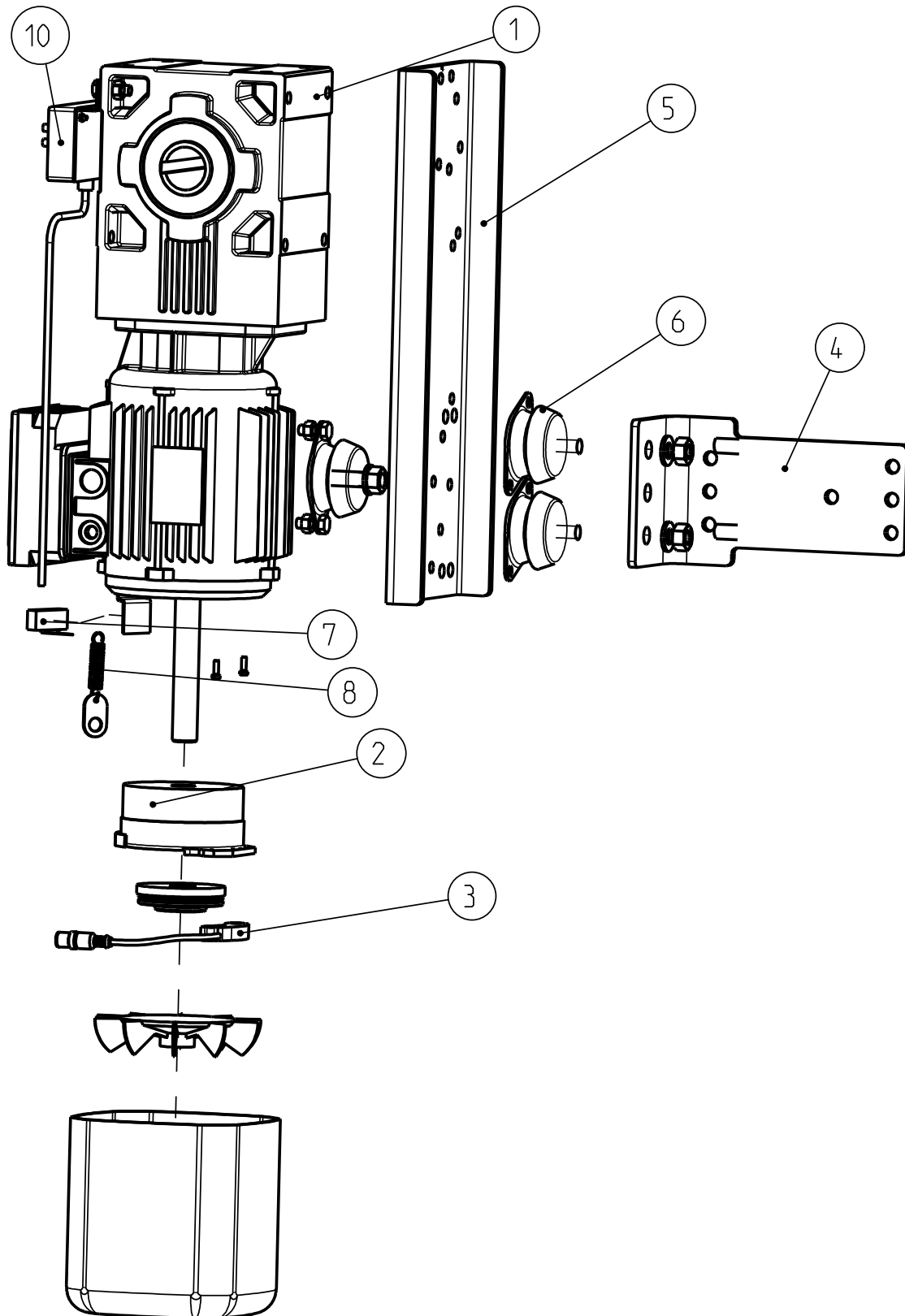
(\*) Data of W, H [mm] and drive side is necessary

Drive unit complete

RR3000, 3000L,

Antrieb komplett

3000XL, 3000XXL, 3000ISO

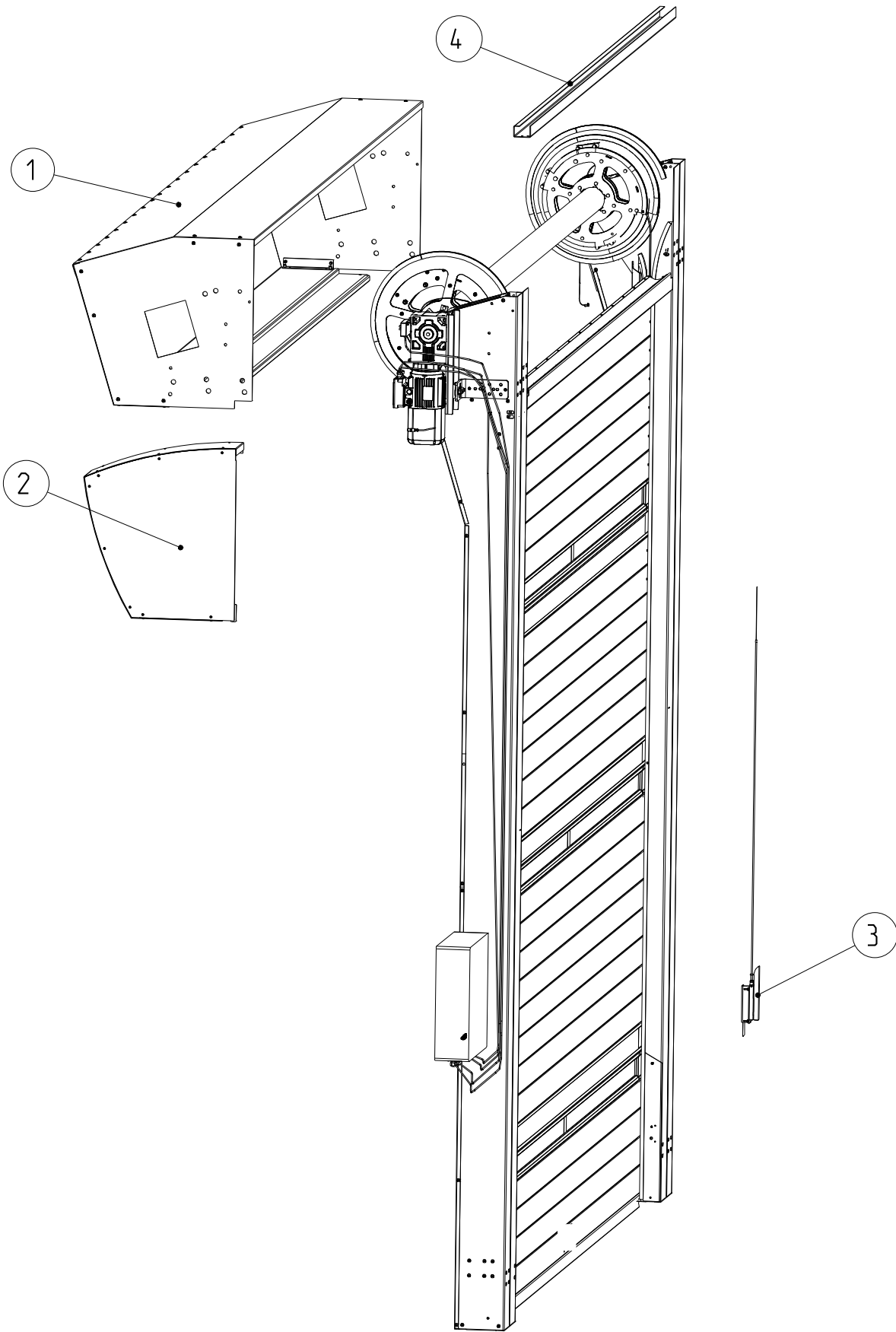


RR 3000L, Version 22			gültig ab ▲ gültig bis valid from ▲ valid to			Delivery time class	Einheit	Anzahl pro Tor Quantity per door	Verschleißteil part / Slitdetail
Pos. Item	Description	Bemerkung Note		Art.-Nr. Item-No	1				
<b>IV</b>	<b>Drive unit complete</b>								
1	Gear motor 220-230 / 400-415 V 60 Hz - ACS 50		D8910R0061		B	Stck./pc.	1		
	Gear motor 220-230 / 400-415 V, MCC		D8910R0080		B	Stck./pc.	1		
2	Brake 15Nm 180V DC HL		D6622R0018		A	Stck./pc.	1		
3	Double Proximity switch	ACS80	D4905R0019		A	Stck./pc.	1		
	Encoder 50 pulses, only electronic part	MCC	D4904R0450		A	Stck./pc.	1		
	Encoder 50 pulses compl. with bracket	MCC	D8410R0066		A	Stck./pc.	1		
4	Torque Arm		D4521R1490		A	Stck./pc.	1		
5	Motor plate		D4521R1096		A	Stck./pc.	1		
6	Vibration absorber		D5004R0041		A	Stck./pc.	2		
7	Microswitch		D6621R0002		A	Stck./pc.	1		
8	Spring 2,2x11x48		D4802R0004		A	Stck./pc.	1		
9	Cable 4x0,25 6,5m GY	SL<=5m	D4907R0110		A	Stck./pc.	1		
	Cable 4x0,25 11,5m GY	5m<SL<=10m	D4907R0111		A	Stck./pc.	1		
	Cable 4x0,25 21,5m GY	10m<SL<=20m	D4907R0112		A	Stck./pc.	1		
	Cable 4x0,25 31,5m GY	20m<SL<=30m	D4907R0113		A	Stck./pc.	1		
10	Junctionbox 9plug 11,5m cable	5m<SL<=10m	D4906R0028		A	Stck./pc.	1		
	Junctionbox 9plug 21,5m cable	10m<SL<=20m	D4906R0029		A	Stck./pc.	1		
	Junctionbox 9plug 31,5m cable	20m<SL<=30m	D4906R0030		D	Stck./pc.	1		
	Junctionbox 9plug 6,5m cable	SL<=5m	D4906R0027		A	Stck./pc.	1		
11	Control cable	ACS 80	D8830RG042	G	B		1		
		Base price				Stck./pc.			
		Upcharge				m			
	Control cable	MCC	D8930RG145	G	B	Stck./pc.	1		
		Control close to drive							
	Control wall mounted								

SL= control line  
H, L => [mm]

RR 3000, RR 3000L

RR 3000, RR 3000L



RR 3000L, Version 22			gültig ab ▲ gültig bis valid from ▲ valid to			Delivery time class			Anzahl pro Tor Quantity per door	Verschleißteil part / Slitdetailie
Pos. Item	Description	Bemerkung Note		Art.-Nr. Item-No	1		Einheit Unit			
<b>V</b>	<b>Options</b>									
1	Top roll cover 1	W<=2500	D8260RG039	G	C		1			
	Top roll cover 2	W>2500	D8260RG040	G	C					
		Base price				Stck./pc.				
		Upcharge				m/W				
2	Motor cover RH		D8160R0123		A	Stck./pc.	1			
	Motor cover LH		D8160R0124		A	Stck./pc.	1			
3	2. emergency lever (option)		D8170RG022	G	B	Stck./pc.	1			
4	Lintel profile complete		D8220RG240	G	C	m/W	1			
	Transport pallet cpl.	for dismantling top roll	D8270RG031	G	C	Stck./pc.	1			

Legend	
1	
G	No automatic price calculation
Delivery time	
A	Within 24 hours
B	2-3 Workdays
C	5-8 Workdays
D	10-14 Workdays
Wear parts	
x	Standard wear with time/use

