

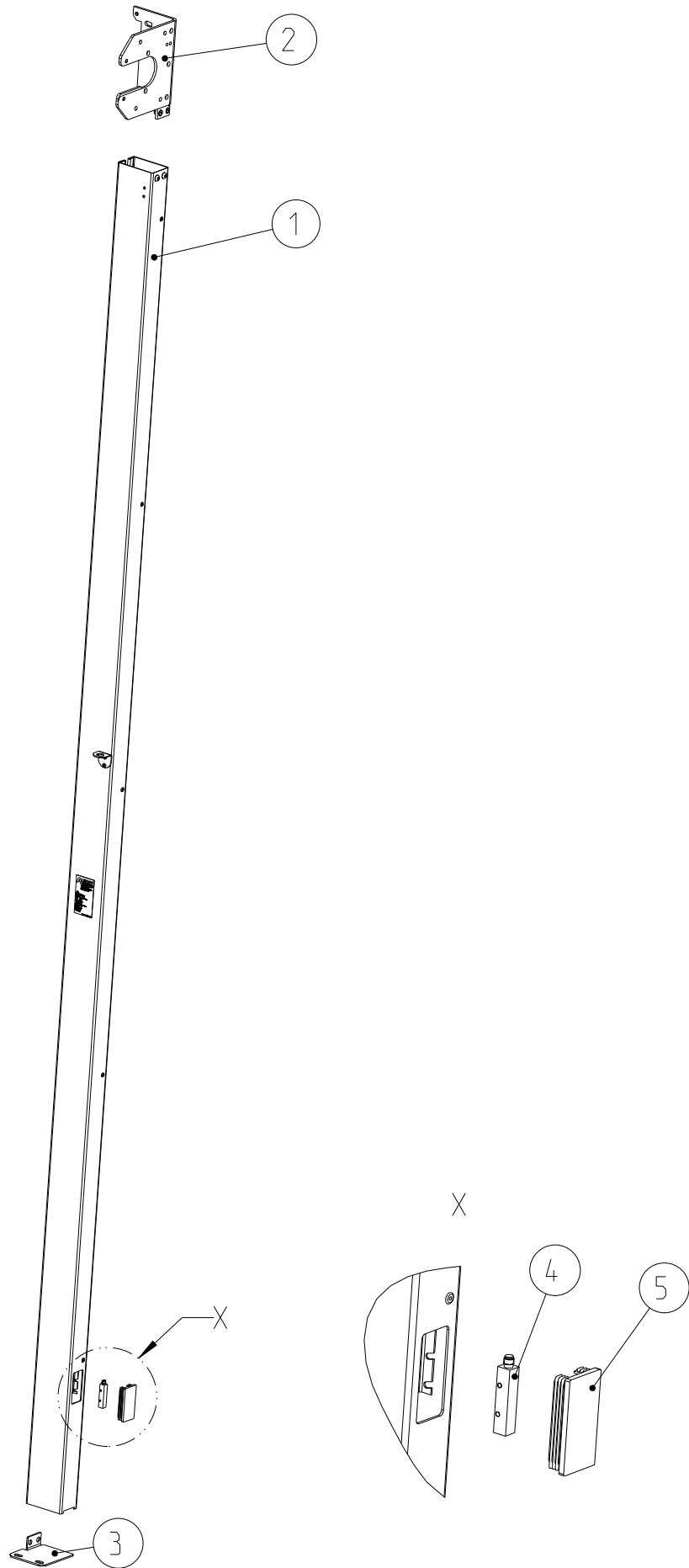
Spare Parts
RR 300



Side frame complete

Seitenteil komplett

Karm komplett

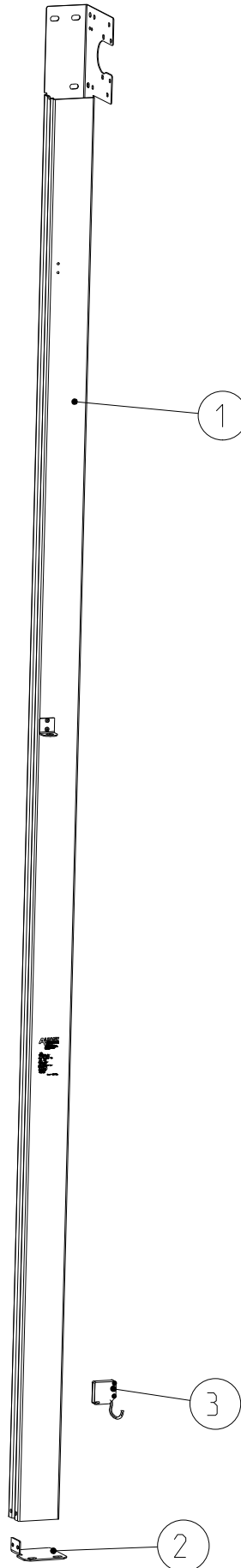


RR 300, Version 33			gültig ab ▲ gültig bis valid from ▲ valid to			Delivery time class	Preiseinheit	Anzahl pro Tor Quantity per door	Verschleißteil part / Slitdetailje	Wear
Pos. Item	Description	Bemerkung Note		Art.-Nr. Item-No	1					
I	Side frame right (see drawing frame complete)									
	RH column complete	Steel	D8220RG226	G	C	m	1			
	RH column complete	A2	D8220RG227	G	C	m	1			
	RH column complete	Alu	D8220RG228	G	C	m	1			
1	Sideframe	Steel	D4521RG124	G	C	m	1			
	Sideframe	A2	D4621RG010	G	C	m	1			
	Sideframe	Alu	D4721RG058	G	C	m	1			
	Sideframe MCC (*)	Steel	D4521RG217	G	C	m	1			
	Sideframe MCC (*)	A2	D4621RG140	G	C	m	1			
	Sideframe MCC (*)	Alu	D4721RG127	G	C	m	1			
2	RH head plate non drive side	Steel	D4521V0016		A	Stck./pc.	1			
	RH head plate drive side	A2	D4621R0286		A	Stck./pc.	1			
3	RH bottom plate	Steel	D4521R0116		A	Stck./pc.	1			
	RH bottom plate	A2	D4621R0280		A	Stck./pc.	1			
4	Photocell transmitter without bracket		D4904R0211		A	Stck./pc.	1			
	Cable photocell 13,5m 5x0.25		D4907R0035		A	Stck./pc.	1			
5	Cap finished		D4121R0209		B	Stck./pc.	1			
II	Side frame left (see drawing frame complete)									
	LH column complete	Steel	D8220RG229	G	C	m	1			
	LH column complete	A2	D8220RG230	G	C	m	1			
	LH column complete	Alu	D8220RG231	G	C	m	1			
1	Sideframe	Steel	D4521RG124	G	C	m	1			
	Sideframe	A2	D4621RG010	G	C	m	1			
	Sideframe	Alu	D4721RG060	G	C	m	1			
	Sideframe MCC (*)	Steel	D4521RG217	G	C	m	1			
	Sideframe MCC (*)	A2	D4621RG140	G	C	m	1			
	Sideframe MCC (*)	Alu	D4721RG126	G	C	m	1			
2	LH head plate non drive side	Steel	D4521V0015		A	Stck./pc.	1			
	LH head plate drive side	A2	D4621R0287		A	Stck./pc.	1			
3	LH bottom plate	Steel	D4521R0117		A	Stck./pc.	1			
	LH bottom plate	A2	D4621R0281		A	Stck./pc.	1			
4	Photocell receiver without bracket		D4904R0283		A	Stck./pc.	1			
	Cable photocell 13,5m 5x0.25		D4907R0035		A	Stck./pc.	1			
5	Cap finished		D4121R0209		B	Stck./pc.	1			

(*) Only with MCC box or display mounted on sideframe

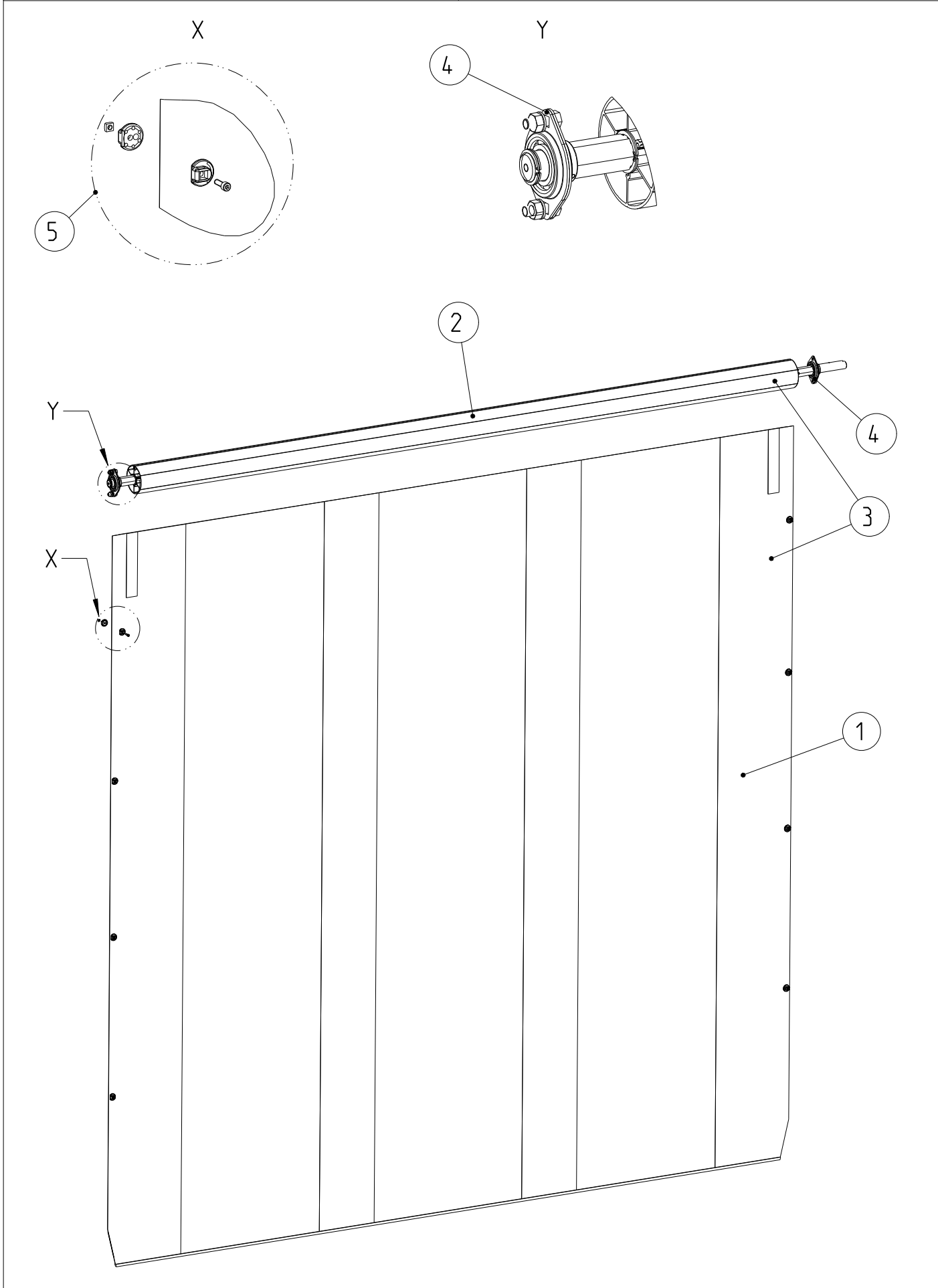
Side frame light complete

Seitenteil light komplett



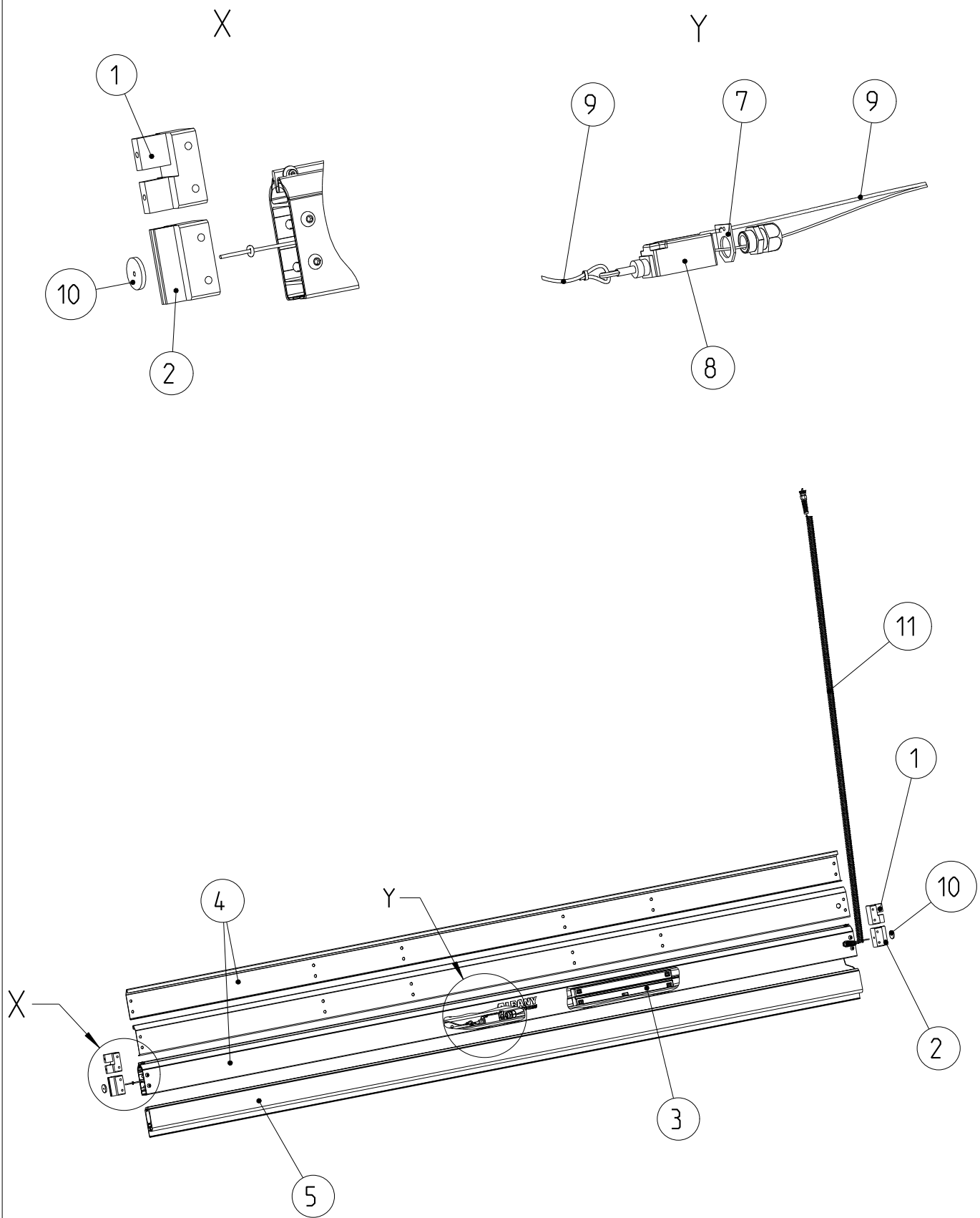
RR 300, Version 33			gültig ab ▲ gültig bis valid from ▲ valid to			Delivery time class			Anzahl pro Tor Quantity per door	Verschleißteil part / Slitdetailje	Wear
Pos. Item	Description	Bemerkung Note		Art.-Nr. Item-No	1		Preiseinheit Unit				
I a	Side frame right (see drawing side frame light complete)										
	RH column complete	light; non drive side	D8220RG247	G	C	m	1				
	RH column complete	light, drive side with photocell	D8220RG247	G	C	m	1				
1	Sideframe	light	D4521RG166	G	C	m	1				
2	RH bottom plate	Steel	D4521R0116		A	Stck./pc.	1				
3	Reflection photocell, 8m cable	light	D4904R0001		A	Stck./pc.	1				
	Reflection photocell, 15m cable	light	D4904R0435		A	Stck./pc.	1				
	Reflector	light	D4904R0044		A	Stck./pc.	1				
II a	Side frame left (see drawing frame light complete)										
	LH column complete	light; non drive side	D8220RG248	G	C	m	1				
	LH column complete	light, drive side with photocell	D8220RG248	G	C	m	1				
1	Sideframe	light	D4521RG167	G	C	m	1				
2	LH bottom plate	Steel	D4521R0117		A	Stck./pc.	1				
3	Reflection photocell, 8m cable	light	D4904R0001		A	Stck./pc.	1				
	Reflection photocell, 15m cable	light	D4904R0435		A	Stck./pc.	1				
	Reflector	light	D4904R0044		A	Stck./pc.	1				

Top roll with door blade	RR300, RR300 MP, RP300
Wickelwelle mit Torbehang	RR300, RR300 MP, RP300



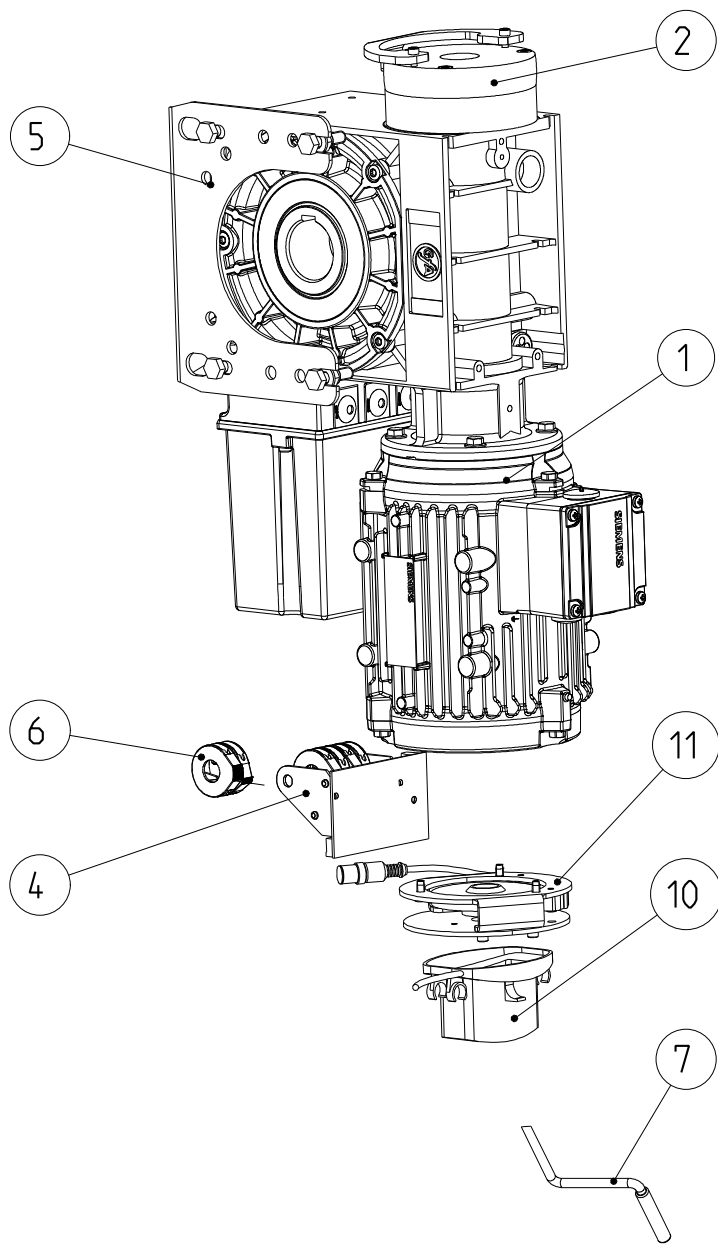
RR 300, Version 33			gültig ab ▲ gültig bis valid from ▲ valid to			Delivery time class	Preiseinheit	Anzahl pro Tor Quantity per door	Verschleißteil part / Slitdetailje	Wear
Pos. Item	Description	Bemerkung Note		Art.-Nr. Item-No	1					
III	Top roll with curtain									
1	Door blade PVC with stripes	blue or red	D8230RG058	G	C		1			
		Base price				Stck./pc.				
		Upcharge				m ²				
						m ²				
	Door blade Rolltex Plus / Original / NomaTex		D8230RG312	G			1			
		Base price				Stck./pc.				
	Rolltex Plus / RollTex Original	Upcharge			C	m ²	1			
	Rolltex Original painted	Upcharge			D	m ²				
	Nomatex	Upcharge			D	m ²	1			
	Window horizontal				G	C	Stck./pc.	1		
	Window vertikal				G	C	Stck./pc.	1		
						C	m/dw			
	Door blade Travitop 1,3 without vision panel	blue, red or grey	D8230RG327	G	C	m ²	1			
	Door blade Travitop 1,3 with vision panel	blue, red or grey	D8230RG327	G	C	m ²	1			
	Door blade Travitop 0,8 without vision panel	blue or red	D8230RG062	G	D	m ²	1			
	Door blade Travitop 0,8 without vision panel	special colour	D8230RG062	G	D	m ²	1			
Door blade Travitop 0,8 with vision panel	blue or red	D8230RG062	G	D	m ²	1				
Door blade Travitop 0,8 with vision panel	special colour	D8230RG062	G	D	m ²	1				
2	Top roll alu with bearings		D8240RG099	G	C		1			
		shaft galvanized				m				
		shaft A2				m				
	Top roll A2 with bearings	Base price				Stck./pc.				
	Upcharge				m/dw					
3	Top roll alu with bearing and door blade		D8240RG101	G	D		1			
4	Flange bearing D 30	A2	D8140R0062		A	Stck./pc.	2	x		
	Flange bearing D 30	Steel	D8140R0005		A	Stck./pc.	2	x		
5	Windbreaktap (12 pcs.)		D8130R0009		A	Stck./pc.	1	x		

Bottom beam	RR300
Abschlussprofil	RR250/290
	RR250E/290E

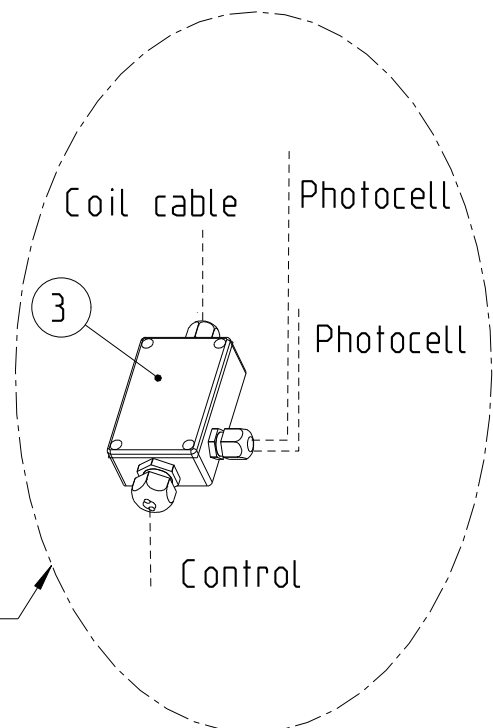


RR 300, Version 33			gültig ab ▲ gültig bis valid from ▲ valid to			Delivery time class			Anzahl pro Tor Quantity per door	Verschleißteil part / Slitdetailje	Wear
Pos. Item	Description	Bemerkung Note		Art.-Nr. Item-No	1		Preiseinheit Unit				
IV	Bottom profile with safety edge										
	Bottom profile complete with coil cable		D8550RG053	G				1			
		Alu			B	m					
		stainless steel			C	m					
	Bottom profile alu complete with coil cable	Mini	D8550RG042	G	B	m		1			
1	Sliding part complete for standard-version	Standard	D4121V0012		A	Stck./pc.		1			
	Sliding part complete for Mini	Mini	D4121V0018		A	Stck./pc.		1			
2	Sliding part complete for crash-version	Standard	D4121V0013		A	Stck./pc.		1			
3	Weight	Standard	D4521R0133		A	Stck./pc.		2			
4	Profile for bottom profile	Alu Standard	D4721RG057	G	B	m		1			
	Profile for bottom profile	Alu Mini	D4721RG069	G	B	m		1			
	Profile for bottom profile va outside	Control position RH	D8250RG007	G	C	m		1			
	Profile for bottom profile va inside	Control position LH	D8250RG008	G	C	m		1			
5	Rubber profile with integrated safety edge		D4421RG036	G	B	m		1			
	Rubber profile elongated sealing-lilp		D4421RG037	G	C	m		1			
7	Plate for Crash sensor		D4721R0038		A	Stck./pc.		1			
8	Crash sensor		D4905V0044		A	Stck./pc.		1			
9	Rope 3,2; L=9500	Crash	D5105R0091		A	Stck./pc.		max. 1		x	
10	PVC-washer		D4121R0039		A	Stck./pc.		2		x	
11	Coil cable 5x0,75		D4907R0038		A	Stck./pc.		1			
12	Sealing rubber profile to Sideframe		D4121R0314		A	Stck./pc.		2			

Drive Unit	RR300
Antrieb	RR300



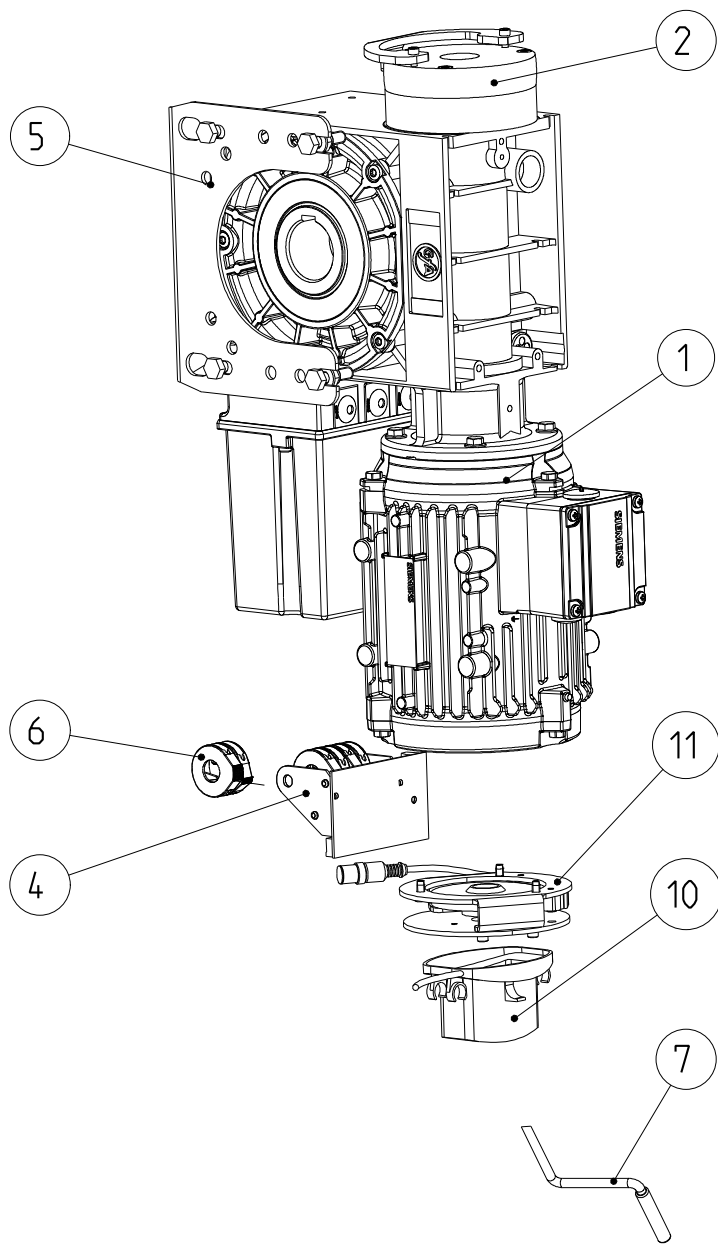
8
in control system



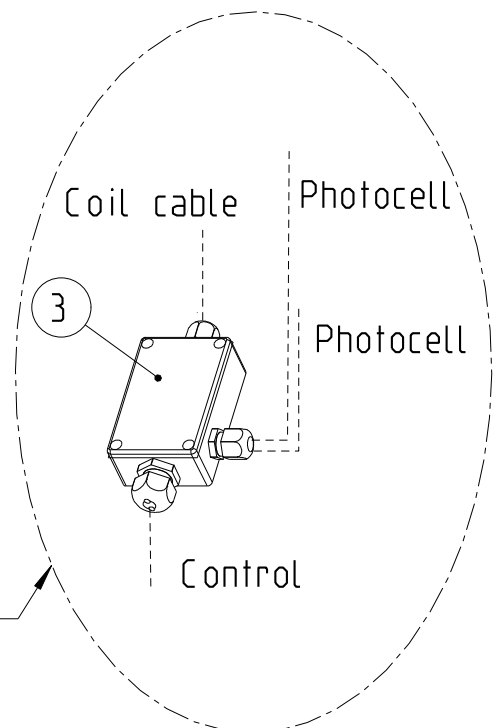
only for control cable >2.5m

RR 300, Version 33			gültig ab ▲ gültig bis valid from ▲ valid to	Art.-Nr. Item-No	1	Delivery time class	Preiseinheit Unit	Anzahl pro Tor Quantity per door	Verschleißteil part / Sliddetailje	Wear
Pos. Item	Description	Bemerkung Note								
VI	Drive unit									
	Gear motor	No E-Connection	2006-01 ▶	D8410RG076	G	C	Stck./pc.	1		
	Gear motor with rubber profile 100 mm		▶ 2005-12	D8410RG093	G	C	Stck./pc.	1		
1	Gear motor with rubber profile 100 mm	Drive Standard ACS50,60,80, without control	▶ 2005-12	D8200RG005	G	B	Stck./pc.	1		
	Gear motor	Drive Standard ACS50,60,80, without control	2006-01 ▶	D8910R0091		A	Stck./pc.	1		
	Gear motor Mini	Drive Mini ACS50, without control		D6601V0001		A	Stck./pc.	1		
	Gear motor Mini	ACS25		D6601R0021		A	Stck./pc.	1		
	Gear motor with MCC encoder	Drive Standard MCC		D8910R0076			Stck./pc.	1		
2	Brake	Drive GfA ACS25		D6622R0031		A	Stck./pc.	1		
	Brake	Drive GfA ACS50,60,80, MCC, without control		D6622R0026		A	Stck./pc.	1		
3	Terminal box with cable 9x0,75	Drive GfA		D8570RG001	G	B	Stck./pc.	1		
4	Limit switch section, 6 switches	Drive GfA ACS50,60,80, MCC, without control		D4905018		A	Stck./pc.	1		
	Limit swich, digital	Drive GfA ACS25		D4905R0105		C	Stck./pc.	1		
5	Torque arm	Drive GfA, ACS50,60,80, MCC, without control stainless steel		D8110R0087		A	Stck./pc.	1		
	Torque arm	Drive GfA, ACS50,60,80, MCC, without control galvanized steel		D8110R0086		A	Stck./pc.	1		
	Torque arm	Drive GfA, ACS25 stainless steel		D8110R0089		A	Stck./pc.	1		
	Torque arm	Drive GfA, ACS25 galvanized steel		D8110R0088		A	Stck./pc.	1		
6	Cam	Drive GfA ACS50,60,80, MCC, without control		D4801240		A	Stck./pc.	1		

Drive Unit	RR300
Antrieb	RR300



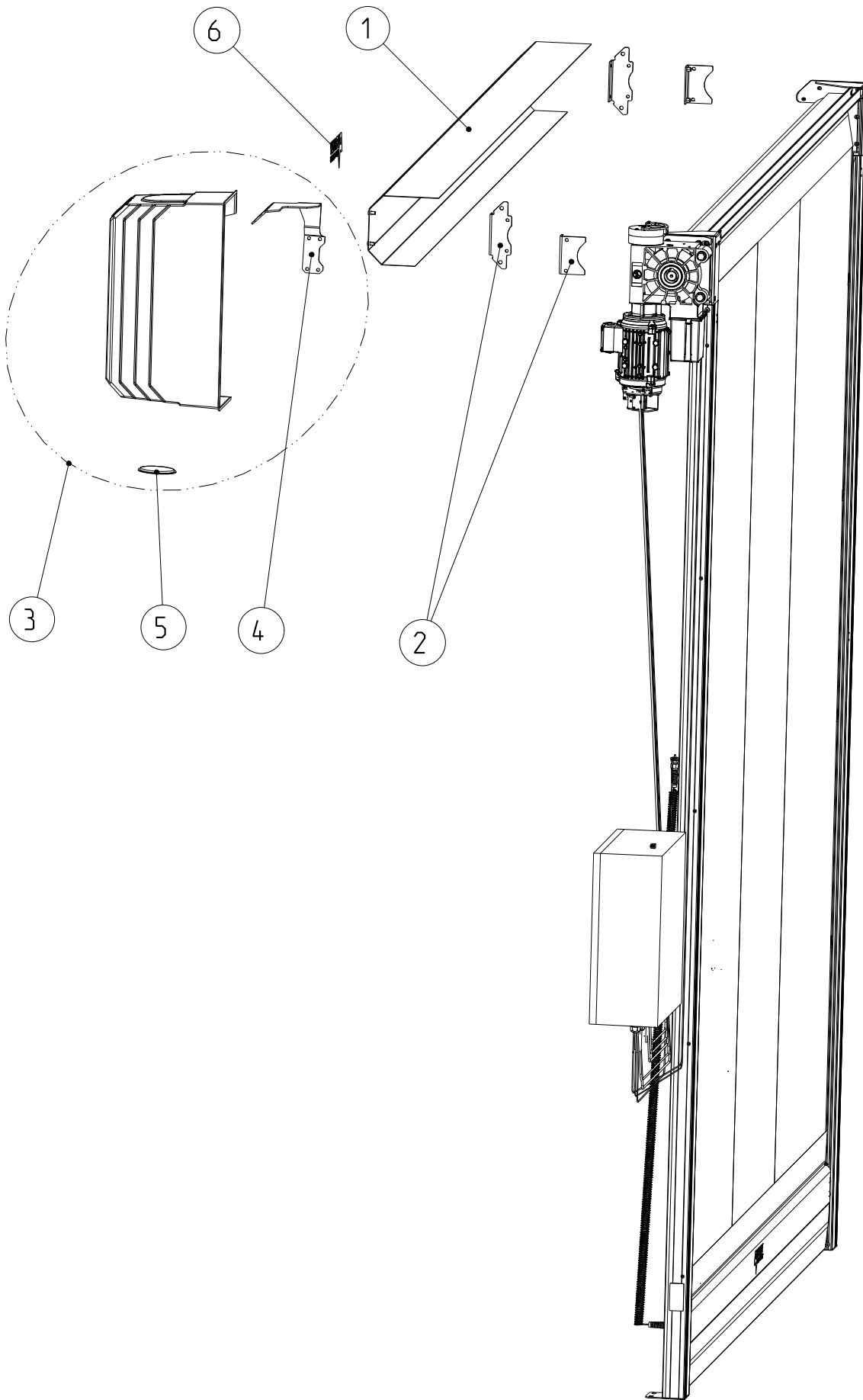
8
in control system



only for control cable >2.5m

RR 300, Version 33			gültig ab ► gültig bis valid from ► valid to			Delivery time class			Anzahl pro Tor Quantity per door	Verschleißteil part / Slitdetailje	Wear
Pos. Item	Description	Bemerkung Note		Art.-Nr. Item-No	1		Preiseinheit Unit				
7	Crank	GfA, H<=2000 ACS50,60,80, MCC, without control		D4521R1081		A	Stck./pc.	1			
	Crank	GfA, H>2000 H<3000 ACS50,60,80, MCC, without control		D4521R0968		A	Stck./pc.	1			
	Crank	GfA, H>3000 ACS50,60,80, MCC, without control		D4521R1425		A	Stck./pc.	1			
	Crank	GfA ACS25		D4521R1140		A	Stck./pc.	1			
	Crank with cardan joint	GfA		D4521R1281		A	Stck./pc.	1			
8	Relais with socket	ACS60/80		D8800R0001		B	Stck./pc.	1			
9	E-Connection ACS 50	ACS 50, GfA, without control		D8903RG144	G	B		1			
		Base Price					Stck./pc.				
		Upcharge					m				
	Control cable	ACS 60, 80, GfA		D8830RG043	G	B		1			
		Base Price					Stck./pc.				
		Upcharge					m				
	E-Connection MCC	MCC		D8903RG145	G			1			
		Base Price					Stck./pc.				
		Upcharge					m				
		Control cable 4m	Drive Mini		D4907V0018		A	Stck./pc.	1		
	Control cable 10m	Drive Mini		D4907V0022		A	Stck./pc.	1			
	Control cable 5m	ACS25		D4907R0061		A	Stck./pc.				
	Control cable 11m	ACS25		D4907R0062		A	Stck./pc.				
10	Emergency crank handle switch	ACS50, MCC	2008-07 ►	D4905R0228		A	Stck./pc.				
	Electrical saving for crank	Drive Standard ACS50,60,80,M CC, without control	► 2008-06	D8410R0083		A	Stck./pc.				
11	Encoder with bracket	Drive Standard MCC	2008-07 ►	D8410R0080		A	Stck./pc.	1			
	Encoder with bracket	Drive Standard MCC	► 2008-06	D8410R0068		A	Stck./pc.	1			
12	Rectifier	ACS25		D4909R0015		A	Stck./pc.	1			

RR300	Options
RR300	Optionen



RR 300, Version 33			gültig ab ▲ gültig bis valid from ▲ valid to			Delivery time class	Preiseinheit Unit	Anzahl pro Tor Quantity per door	Verschleißteil Wear part / Slitdetailje
Pos. Item	Description	Bemerkung Note		Art.-Nr. Item-No	1				
VIII	Options								
1	Top roll cover straight Steel	Steel	D4521RG118	G	C	m	1		
	Top roll cover straight A2	A2	D4621RG019	G	C	m			
	Top roll cover straight Alu	Alu	D4721RG049	G	C	m			
	Top roll cover 30° drive LH	Drive LH, A2	D4621RG018	G	C	m	1		
	Top roll cover 30° drive RH	Drive RH, A2	D4621RG017	G	C	m	1		
2	Bracket for Top roll cover	A2	D4621R0305		A	Stck./pc.	2		
	Bracket for Top roll cover	Steel	D4521R0906		A	Stck./pc.	2		
	Bracket for Top roll cover	Sideframe light	D4521R1129		A	Stck./pc.	2		
3	Motor cover plastic grey cpl RH		D8160R0103		A	Stck./pc.	1		
	Motor cover plastic grey cpl LH		D8160R0104		A	Stck./pc.	1		
	Motor cover plastic grey MCC cpl RH	MCC mounted on side frame	D8160R0105		A	Stck./pc.	1		
	Motor cover plastic grey MCC cpl LH	MCC mounted on side frame	D8160R0106		A	Stck./pc.	1		
	Motor cover steel cpl RH		D8160R0107		B	Stck./pc.	1		
	Motor cover steel cpl LH		D8160R0108		B	Stck./pc.	1		
	Motor cover 30° inox cpl RH		D8160R0109		B	Stck./pc.	1		
	Motor cover 30° inox cpl LH		D8160R0110		B	Stck./pc.	1		
	Motorcover Mini Drive RH	Drive Mini	D32-4887-XX		A	Stck./pc.	1		
Motorcover Mini Drive LH	Drive Mini	D32-4888-XX		A	Stck./pc.	1			
4	Bracket motor cover RH	Motorcover steel	D4521R1491		A	Stck./pc.	1		
	Bracket motor cover LH		D4521R1488		A	Stck./pc.	1		
	Bracket motor cover RH	Motorcover A2	D4621R0456		A	Stck./pc.	1		
	Bracket motor cover LH		D4621R0457		A	Stck./pc.	1		
5	Cover black		D4121R0222		A	Stck./pc.	1		
6	Albany sign 250x100		D6403V0001		A	Stck./pc.	1		
7	Distance rod Steel	Steel	D4521RG170	G	B	Stck./pc.	1		
	Distance rod A2	A2	D4621RG014	G	B	Stck./pc.	1		
	Distance rod Alu	Alu	D4721RG056	G	B	Stck./pc.	1		

Legend	
1	
G	Generic Item
Delivery time	
A	Within 24 hours
B	2-3 Workdays
C	5-8 Workdays
D	10-14 Workdays
Wear parts	
	x = Standard wear with time/use

