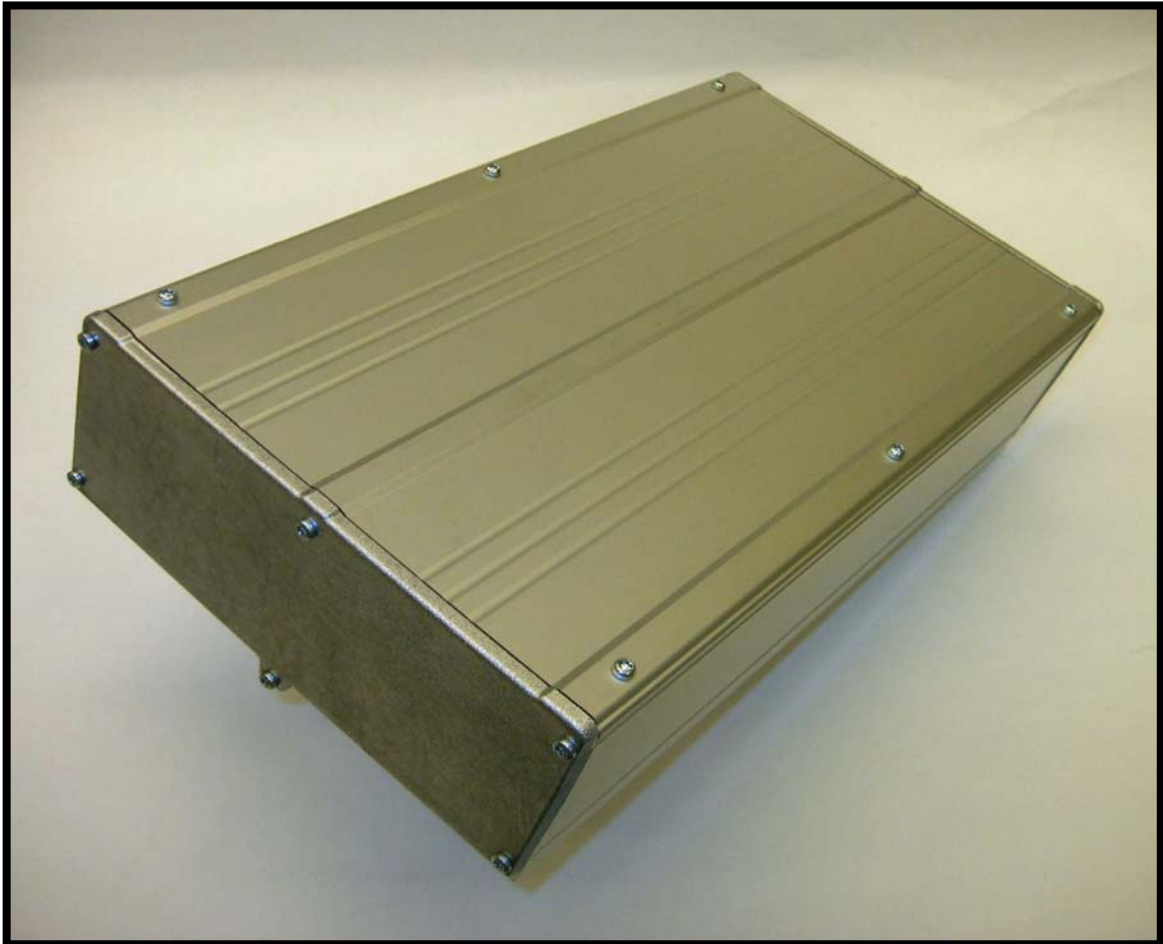


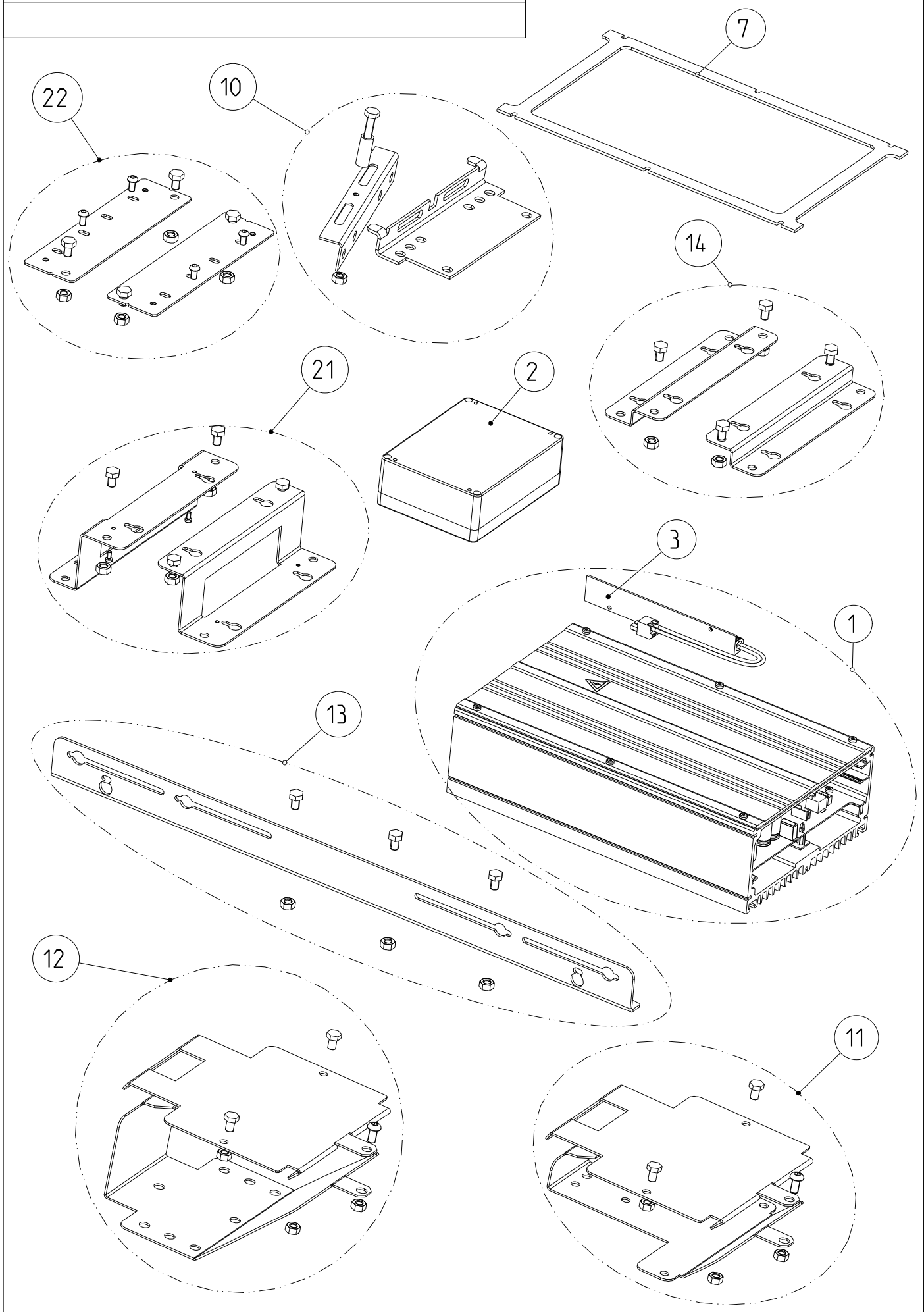
**Spare part list**  
**MCC**



2013-05 Index 00

Control system MCC

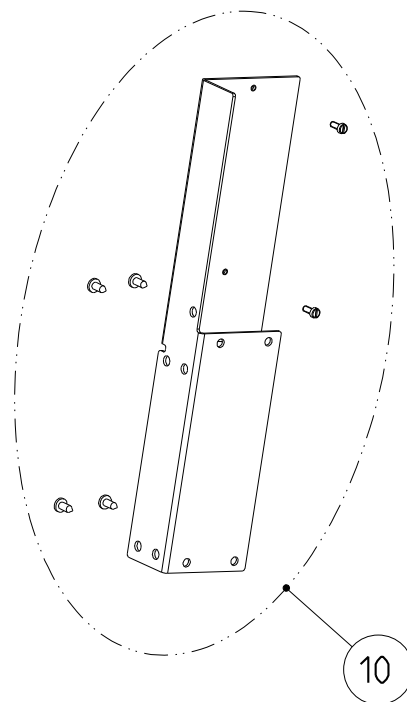
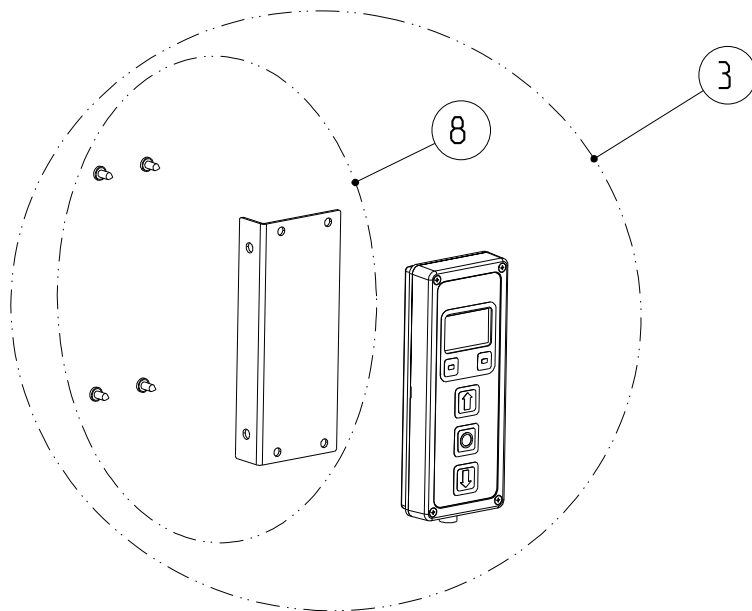
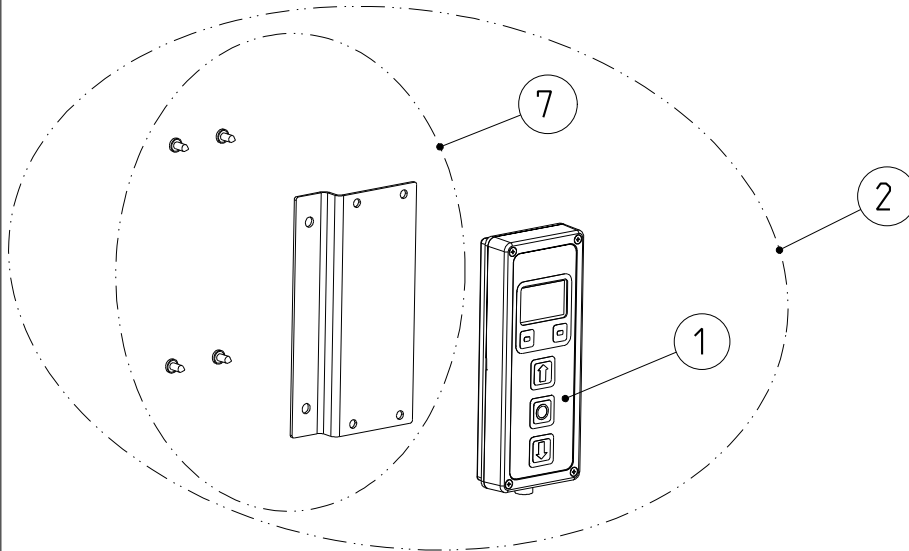
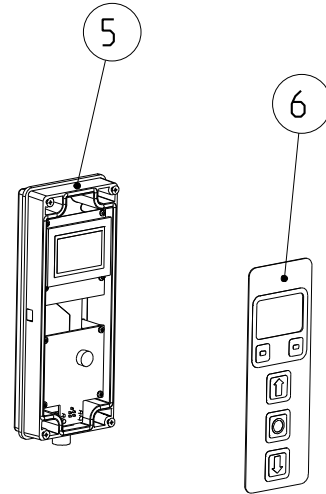
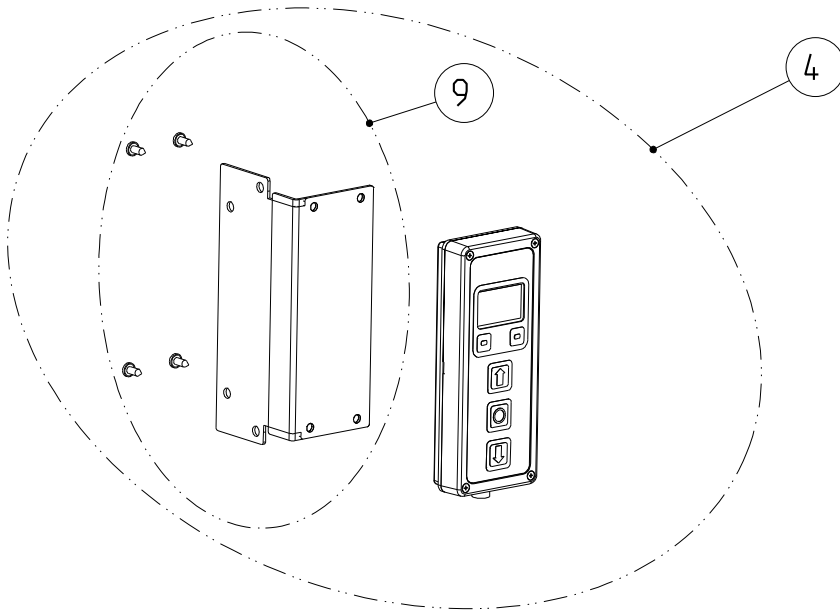
Steuerung MCC



MCC, Version 15			gültig ab ► gültig bis valid from ► valid to	Art.-Nr. Item-No		Delivery time class	Einheit Unit	Anzahl pro Tor Quantity per door	Verschleißteil part / Sliedetailje
Pos. Item	Description	Bemerkung Note		1					
I	<b>Control system MCC</b> VectorControl								
1	MCC control system with housing, customer software and brake resistor (without endplate) (till 2m motor cable length)	New		D8930RG042	G	B	Stck./pc.		
		General overhaul		D8930RG042	G	E	Stck./pc.		
2	MCC netfilter in housing	Motor cable 2m < L < 30m		D8930R0103		A	Stck./pc.		
3	Brake resistor 180 Ohm with connection plug			D8850R0003		B	Stck./pc.		
4	Endplate with 4xM16 + 8xM20 holes (with sealing and screws)			D8820R0055		B	Stck./pc.		
	Endplate without holes (with sealing and screws)			D8820R0069		B	Stck./pc.		
	Endplate with integrated junction box (incl. flat flexible cable)			D8930R0090		B	Stck./pc.		
7	Cover sealing			D5412V0002		A	Stck./pc.		
9	Complete plug set for MCC (incl. plug for interface card)			D8870R0016		B	Stck./pc.		
10	Bracket MCC side frame, Zn	RR3000/L/XL	► 12/2007	D8170R0322		B	Stck./pc.		
11	Bracket MCC side frame, Zn	RR3000R		D8170R0336		B	Stck./pc.		
12	Bracket MCC side frame, Zn	RR3000/L/XL, RR3000XXL/ISO	01/2008 ►	D8170R0335		B	Stck./pc.		
13	Bracket MCC side frame, Zn	RR300, RR300Plus, RR355, RR392, RR450/600(G), RR420, RP2000		D8170R0323		B	Stck./pc.		
	Bracket MCC side frame, VA	RR300, RR350E, RR300Plus, RR355, RR392, RR420, RR450/600(G)		D8170R0324		B	Stck./pc.		
14	Bracket wall mounted MCC, Zn	RR330, RR600, RR3000R, wall mounted		D8170R0325		B	Stck./pc.		
	Bracket wall mounted MCC, VA	RR330, RR600, RR3000R, wall mounted		D8170R0326		B	Stck./pc.		
15	Main switch external wall mounted with red handle			D4905R0116		A	Stck./pc.		
16	Main switch external wall mounted with black handle			D4905R0119		A	Stck./pc.		
17	CEE plug with 2 m cable			D8860000		E	Stck./pc.		
18	Fuse 12 A			D4908V0005		A	Stck./pc.		
19	Protection cap for M8 plug in junction box			D4910R0070		A	Stck./pc.		
	Protection cap for M12 plug in junction box			D4910R0069		A	Stck./pc.		
20	Cable fitting set MCC (universal)			D8870R0019		A	Stck./pc.		
21	MCC wall bracket for netfilter, VA			D8170R0345		A	Stck./pc.		
22	Bracket MCC and UPS for RR Clean			D8170R0343		A	Stck./pc.		

MCC Display with bracket

MCC Display mit Halter



Drawing number

9870R0004

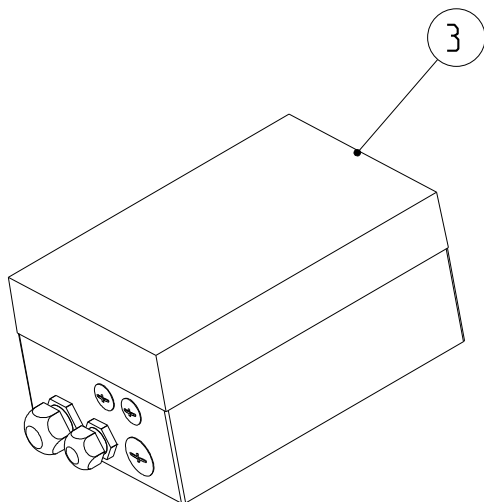
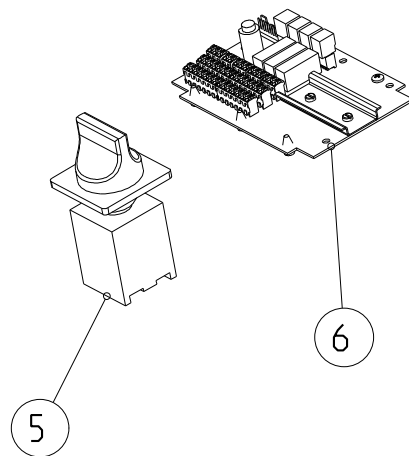
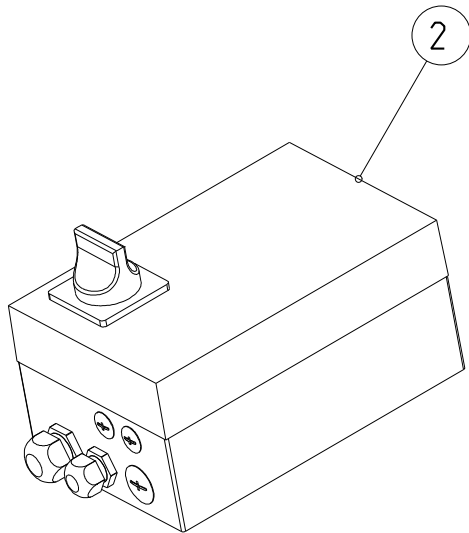
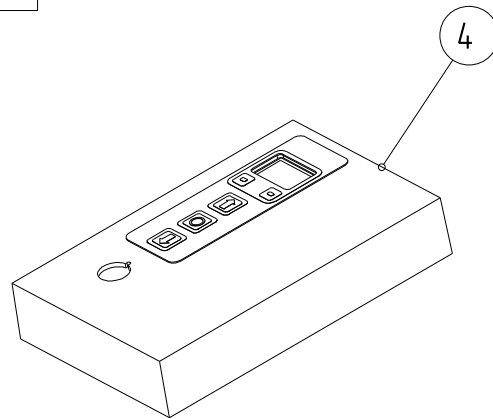
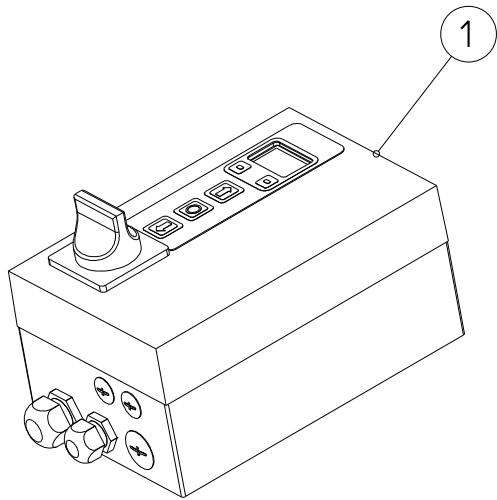
Revision

i

MCC, Version 15			gültig ab ▲ gültig bis valid from ▲ valid to	Art.-Nr. Item-No		Delivery time class	Einheit Unit	Anzahl pro Tor Quantity per door	Verschleißteil part / Sliedetailje
Pos. Item	Description	Bemerkung Note		1					
<b>II Display + brackets</b>									
1	MCC display in small housing			D8820R0032		A	Stck./pc.		
2	MCC display in small housing with wall mounted bracket Zn			D8820R0036		B	Stck./pc.		
	MCC display in small housing with wall mounted bracket VA			D8820R0037		B	Stck./pc.		
3	MCC display in small housing with side frame bracket Zn	RR300, RR355, RR392, RR450/600(G), RR3000R, RP2000		D8820R0040		B	Stck./pc.		
	MCC display in small housing with side frame bracket VA	RR300, RR350E, RR355, RR392, RR450/600(G), RR3000R, RP2000		D8820R0041		B	Stck./pc.		
4	MCC display in small housing with side frame bracket Zn	RR3000/L/XL, RR3000XXL/ISO, RR300Plus		D8820R0038		B	Stck./pc.		
	MCC display in small housing with side frame bracket VA			D8820R0039		B	Stck./pc.		
5	MCC display in small housing for mounting in side frame	RR600		D8820R0065		A	Stck./pc.		
6	Foilkeys adhesive			D4905V0056		A	Stck./pc.		
7	Wall mounting bracket Display, Zn			D8170R0327		B	Stck./pc.		
	Wall mounting bracket Display, VA			D8170R0328		B	Stck./pc.		
8	Side frame bracket for display, Zn	RR300, RR355, RR392, RR450/600(G), RR3000R, RP2000		D8170R0329		B	Stck./pc.		
	Side frame bracket for display, VA	RR300, RR350E, RR355, RR392, RR450/600(G), RR3000R, RP2000		D8170R0330		B	Stck./pc.		
9	Side frame bracket for display, Zn	RR3000/L/XL, RR3000XXL/ISO, RR300Plus		D8170R0331		B	Stck./pc.		
	Side frame bracket for display, VA			D8170R0332		B	Stck./pc.		
10	Bracket for display/main switch, RH, Zn	MCC		D8170R0339		B	Stck./pc.		
	Bracket for display/main switch, LH, Zn	MCC		D8170R0340		B	Stck./pc.		
	Bracket for display/main switch, RH, VA	MCC		D8170R0341		B	Stck./pc.		
	Bracket for display/main switch, LH, VA	MCC		D8170R0342		B	Stck./pc.		

Combibox PC

Kombibox PC



Drawing number

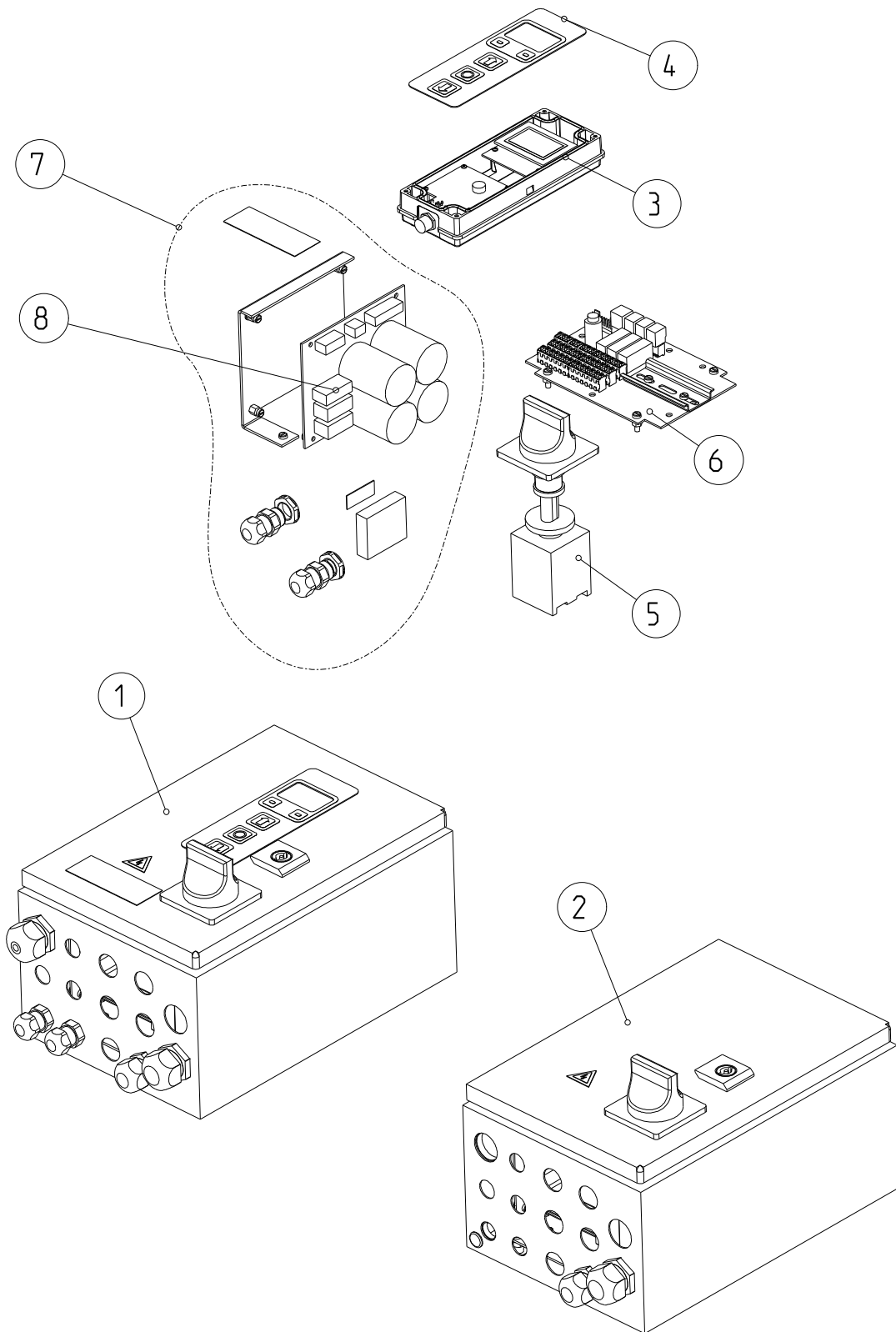
9870R0005

Revision

c

MCC, Version 15			gültig ab ▲ gültig bis valid from ▲ valid to	Art.-Nr. Item-No		Delivery time class	Einheit Unit	Anzahl pro Tor Quantity per door	Verschleißteil part / Slitdetailje
Pos. Item	Description	Bemerkung Note		1					
<b>III Combibox plastic</b>									
1	Combibox with display, main switch and interface card (plastic 160x250x120mm)			D8820R0042		B	Stck./pc.		
	Combibox with display, main switch without interface card (plastic 160x250x120mm)			D8820R0043		B	Stck./pc.		
2	Combibox without display, with main switch and interface card (plastic 160x250x120mm)			D8820R0044		B	Stck./pc.		
	Combibox without display, with main switch without interface card (plastic 160x250x120mm)			D8820R0045		B	Stck./pc.		
3	Combibox without display, without main switch and with interface card (plastic 160x250x120mm)			D8820R0046		B	Stck./pc.		
	Combibox without display, without main switch without interface card (plastic 160x250x120mm)			D8820R0047		B	Stck./pc.		
4	Combibox upper part with mounted display and foilkeys (plastic 160x250x120mm)			D8820R0033		A	Stck./pc.		
5	Main switch internal for plastic combibox mounting (red handler)			D4905R0117		A	Stck./pc.		
6	Interface card for Combibox plastic (with plugs)			D8930R0061		A	Stck./pc.		
7	Quick-release lock set for Combibox			D4906R0100		A	Stck./pc.		

Combibox MCC 200x300x155 st	
Kombibox MCC 200x300x155 st	

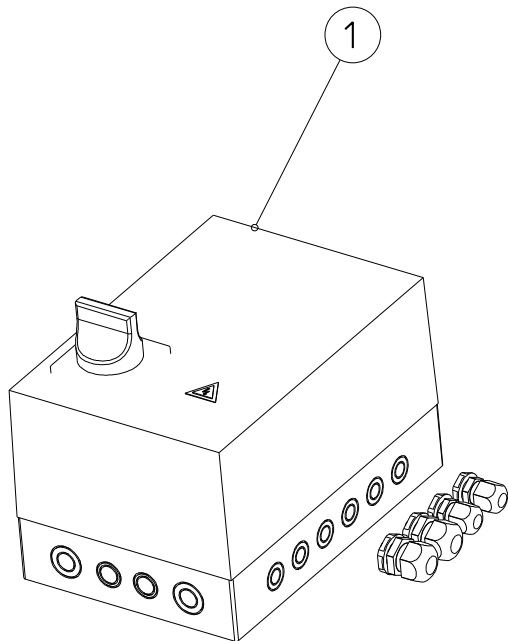
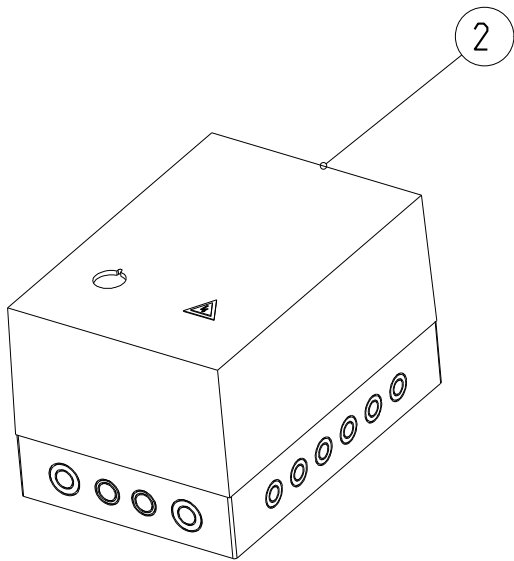
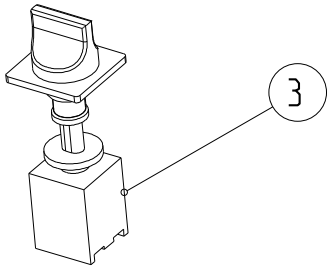
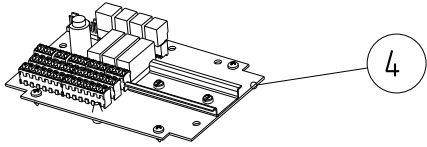




MCC, Version 15			gültig ab ▲ gültig bis valid from ▲ valid to	Art.-Nr. Item-No		Delivery time class	Einheit Unit	Anzahl pro Tor Quantity per door	Verschleißteil part / Slitdetailje
Pos. Item	Description	Bemerkung Note			1				
<b>IV Combibox metal</b>									
1	Combibox metal with display, main switch and interface card (200x300x155 mm) steel			D8820R0051	B	Stck./pc.			
	Combibox metal with display, main switch and without interface card (200x300x155 mm) steel			D8820R0050	B	Stck./pc.			
	Combibox stainless steel with display, main switch and interface card (200x300x155 mm)			D8820R0060	B	Stck./pc.			
	Combibox stainless steel with display, main switch and without interface card (200x300x155 mm)			D8820R0059	B	Stck./pc.			
	Combibox metal with display, main switch, interface and ASO card (200x300x155 mm) steel	RR330		D8820R0053	B	Stck./pc.			
2	Combibox metal without display, with main switch and with interface card (200x300x155 mm), steel			D8820R0052	B	Stck./pc.			
	Combibox metal without display, with main switch and without interface card (200x300x155 mm), steel			D8820R0049	B	Stck./pc.			
	Combibox stainless steel without display, with main switch and interface card (200x300x155 mm)			D8820R0061	B	Stck./pc.			
	Combibox stainless steel without display, with main switch and without interface card (200x300x155 mm)			D8820R0058	B	Stck./pc.			
3	MCC display in small housing for combibox metal	MCC in cabinet Combibox metal		D8820R0031	A	Stck./pc.			
4	Foilkey adhesive			D4905V0056	A	Stck./pc.			
5	Main switch internal for metal combibox with elongation (red handle)	Combibox metal		D8820R0062	B	Stck./pc.			
	Main switch internal for metal combibox with elongation (black handle)	Combibox metal; machine protection doors		D8820R0064	B	Stck./pc.			
6	Interface card for combibox metal (with plugs)	MCC in cabinet Combibox metal		D8930R0063	B	Stck./pc.			
7	ASO modul with bracket for combibox MCC	RR330		D8820R0054	E	Stck./pc.			
8	ASO function card	RR330		D4920V0016	E	Stck./pc.			

Combibox MP-doors

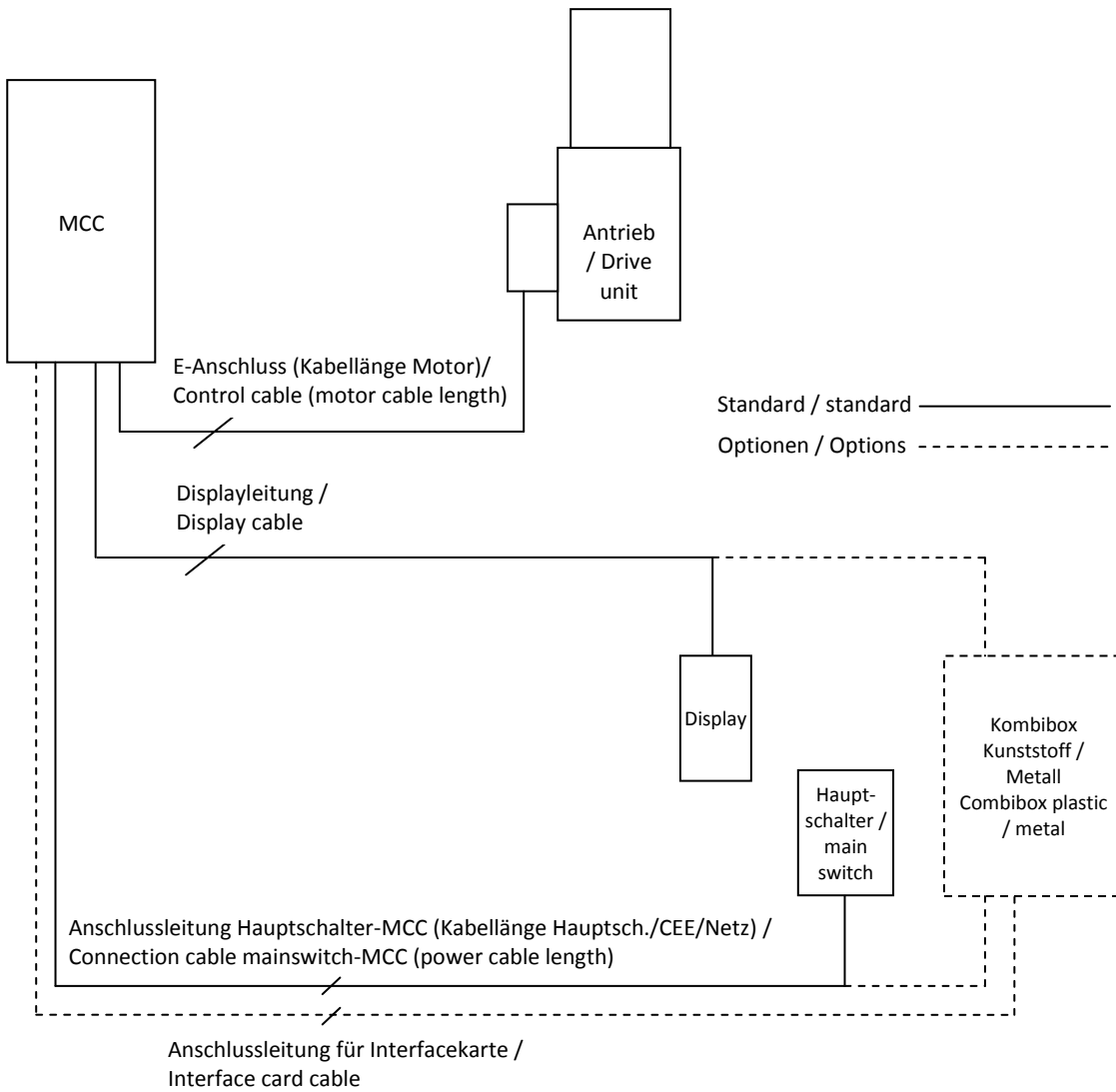
Kombibox MP-Tore



MCC, Version 15			gültig ab ▲ gültig bis valid from ▲ valid to	Art.-Nr. Item-No	1	Delivery time class	Einheit Unit	Anzahl pro Tor Quantity per door	Verschleißteil part / Sliitdetailje
Pos. Item	Description	Bemerkung Note							
<b>V Combibox MP door</b>									
1	Combibox without display, with black main switch and interface card (plastic 175x250x150 mm)	Machine protection doors		D8820R0034		B	Stck./pc.		
2	Combibox empty with main switch hole (plastic 175x250x150 mm)	Machine protection doors		D8820R0063		B	Stck./pc.		
3	Main switch for internal mounting in Combibox MP-doors with elongation (black handler)	Machine protection doors		D8820R0064		B	Stck./pc.		
4	Interface card for MP-combibox	Machine protection doors		D8930R0081		A	Stck./pc.		

<b>VI Interface card (without drawing)</b>									
1	Interface card for DIN-rail mounting (with plug)			D8930R0056		A	Stck./pc.		

<b>VII Cables (without drawing)</b>									
1	Display cable with plugs, 3m	Motor cable length: L ≤ 2m M12/RJ45		D4907V0042		A	Stck./pc.		
	Display cable with plugs, 4,5m			D4907V0043		A	Stck./pc.		
	Display cable with plugs, 7m			D4907V0044		A	Stck./pc.		
	Display cable with plugs, 10m			D4907R0114		A	Stck./pc.		
	Display cable with plugs, 15m			D4907V0045		A	Stck./pc.		
	Display cable with plugs, 30m			D4907R0105		A	Stck./pc.		
2	Displayc. MCC w. EMC-filter 1,5m, spare	MCC+Display in same Cabinet		D8830R0167		A	Stck./pc.		
	Display cable with plugs, 3m	Motor cable length: L > 2m Ferrite M12/RJ45		D8830R0158		A	Stck./pc.		
	Display cable with plugs, 4,5m			D8830R0159		A	Stck./pc.		
	Display cable with plugs, 7m			D8830R0160		A	Stck./pc.		
	Display cable with plugs, 10m			D8830R0161		A	Stck./pc.		
	Display cable with plugs, 15m			D8830R0162		A	Stck./pc.		
	Display cable with plugs, 30m			D8830R0163		A	Stck./pc.		
3	Display cable with plugs, 3m		RR355, RR450, RR600 (not SRD), RR600G,RP2000, RR3000/L/R/XL, RR3000XXL/ISO MCC at side frame, M12/M12	02/2009 ▶	D4907R0118		A	Stck./pc.	
	Display cable with plugs, 4,5m	D4907R0119				A	Stck./pc.		
	Display cable with plugs, 7m	D4907R0120				A	Stck./pc.		
	Display cable with plugs, 10m	D4907R0121				A	Stck./pc.		
	Display cable with plugs, 15m	D4907R0122				A	Stck./pc.		
	Display cable with plugs, 30m	D4907R0123				A	Stck./pc.		
4	Cable MCC-Interface card L=1,2m	MCC+Interf.card in same Cabinet		D4907R0154		A	Stck./pc.		
	Interface card cable comp., 3m			D4907V0038		A	Stck./pc.		
	Interface card cable comp., 4,5m			D4907V0039		A	Stck./pc.		
	Interface card cable comp., 7m			D4907V0040		A	Stck./pc.		
	Interface card cable comp., 10m			D4907R0115		A	Stck./pc.		
	Interface card cable comp., 15m			D4907V0041		A	Stck./pc.		
	Interface card cable comp., 30m			D4907R0108		A	Stck./pc.		
5	Connection cable main switch - MCC, 10m			D8830R0137		A	Stck./pc.		
	Connection cable main switch - MCC, 30m			D8830R0139		A	Stck./pc.		
6	Adapter cable for safety edge connection to end plate with junction box MCC			D4907R0116		A	Stck./pc.		
7	Cable for airlock MCC			D8830RG057		B	Stck./pc.		
8	Clone cable, 5m			D4920R0032		E	Stck./pc.		



MCC, Version 15			gültig ab ▲ gültig bis valid from ▲ valid to	Art.-Nr. Item-No		Delivery time class	Einheit Unit	Anzahl pro Tor Quantity per door	Verschleißteil part / Sliedetailje
Pos. Item	Description	Bemerkung Note			1				
<b>VIII MCC extension</b>									
1	MCC extension cpl	Flat flexible cable (D4920R0035) additionally required		D8820R0068		B	Stck./pc.		
	MCC extension cpl, F+R	Emergency egress; flat flexible cable (D4920R0035) add. required		D8820R0072		B	Stck./pc.		
2	Flat flexible cable	Add. required for MCC extension (D8820R0068, D8820R0072)		D4920R0035		A	Stck./pc.		
3	Radio receiver 433MHz 1-channel			D4904R0511		A	Stck./pc.		
4	Loop detector pluggable 1-channel			D4904R0512		A	Stck./pc.		
	Loop detector pluggable 2-channel			D4904R0513		A	Stck./pc.		
5	MCC Extension card			D4920R0031		A	Stck./pc.		

<b>IX Option UPS</b>									
1	UPS cpl (incl. Cables, manual, etc.)			D8930RG059		G	E	Stck./pc.	
	UPS system (800x200x120)	RR Clean		D8930R0101			E	Stck./pc.	
2	UPS Batterie 12Ah LC-PA121P1	2 pc. necessary		D4909R0037			E	Stck./pc.	

<b>X Option all Combiboxes</b>									
1	24V DC Power Supply			D8850RG001		G	A	Stck./pc.	
2	Kombibox MCC transf. 300x300x210 st			D8820R0078		G	A	Stck./pc.	

<b>XI Option bus connection</b>									
1	Profinet IO 2-port bus module			D4920R0041			A	Stck./pc.	
2	Profinet IO 1-port bus module			D4920R0042			A	Stck./pc.	
3	Profibus bus interface module			D4920R0043			A	Stck./pc.	
4	Carrier board field bus module			D4920R0044			A	Stck./pc.	
5	Ribbon cable 10 wire, 250mm			D4920R0045			A	Stck./pc.	
6	PROFIBUS DSUB male con. 9-pole			D4920R0046			A	Stck./pc.	
7	PROFIBUS cable 0,5m,M12 male con.			D4920R0047			A	Stck./pc.	
8	PROFIBUS cab. 0,5m,M12 fem. con.			D4920R0048			A	Stck./pc.	
9	PROFINET cable 0,5m RJ45/M12 fem.			D4920R0049			A	Stck./pc.	
10	EtherNet/ IP 1-port bus module			D4920R0056			A	Stck./pc.	

<b>XII Different options</b>									
1	MCC EMC filter for cabinet, spare part			D8930R0107			A	Stck./pc.	
2	Gearbox heating	For all GfA Drive units		D8930RG082		G	C	Stck./pc.	1
3	Heating resistor			D8930R0109			A	Stck./pc.	1
4	Wireless Safety system – Receiver	For Flex Edge		D4904T0028			A	Stck./pc.	1
5	Cable wireless system MCC			D8830R0164			A	Stck./pc.	1

Legend	
G	Generic Item
Delivery time	
A	Within 24 hours
B	2-3 Workdays
C	5-8 Workdays
D	10-14 Workdays
E	On request
Wear parts	
x = Standard wear with time/use	