

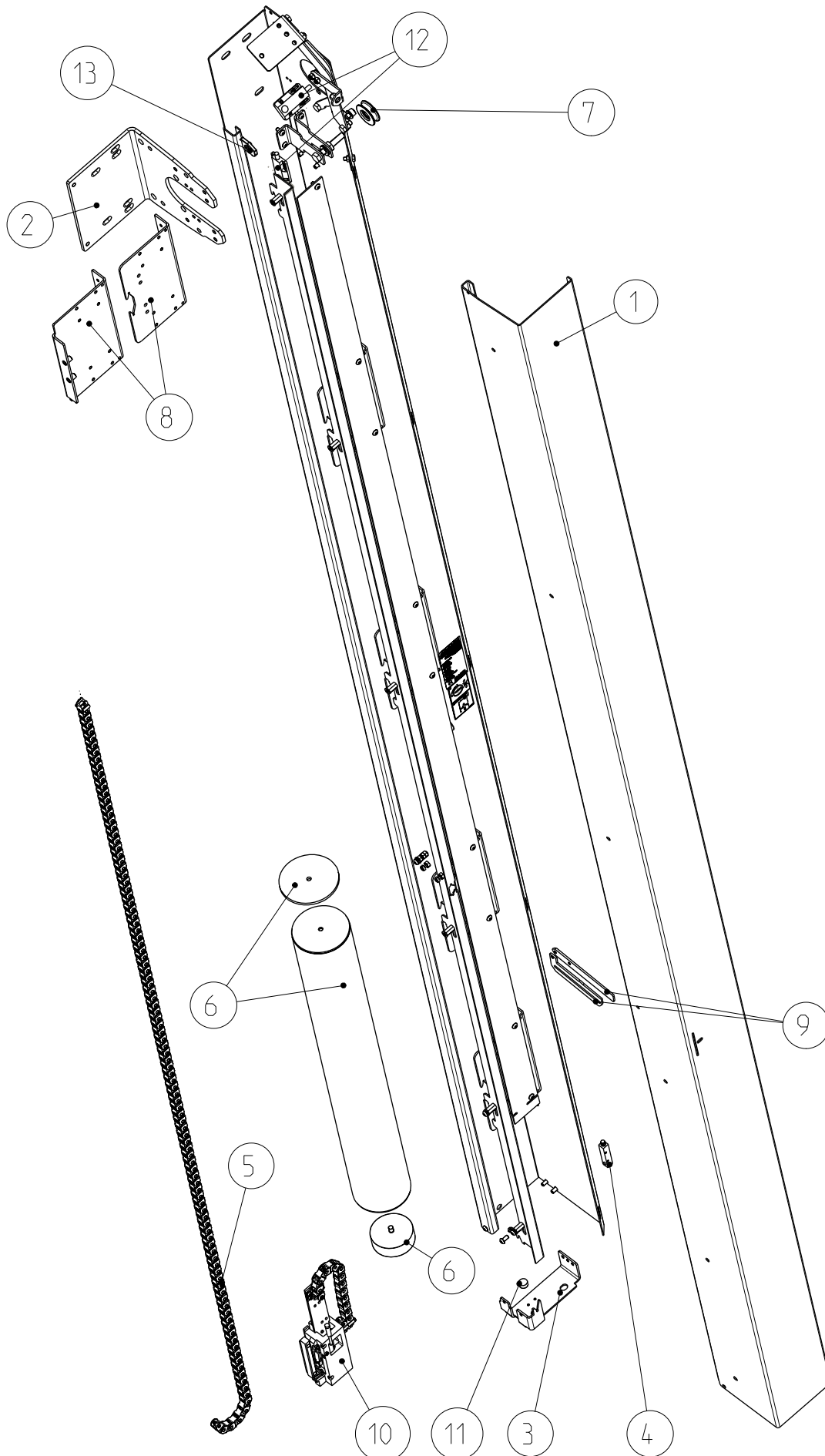
Spare Parts  
RR Food



2011-07 Index 01

Side frame right  
Seitenteil rechts

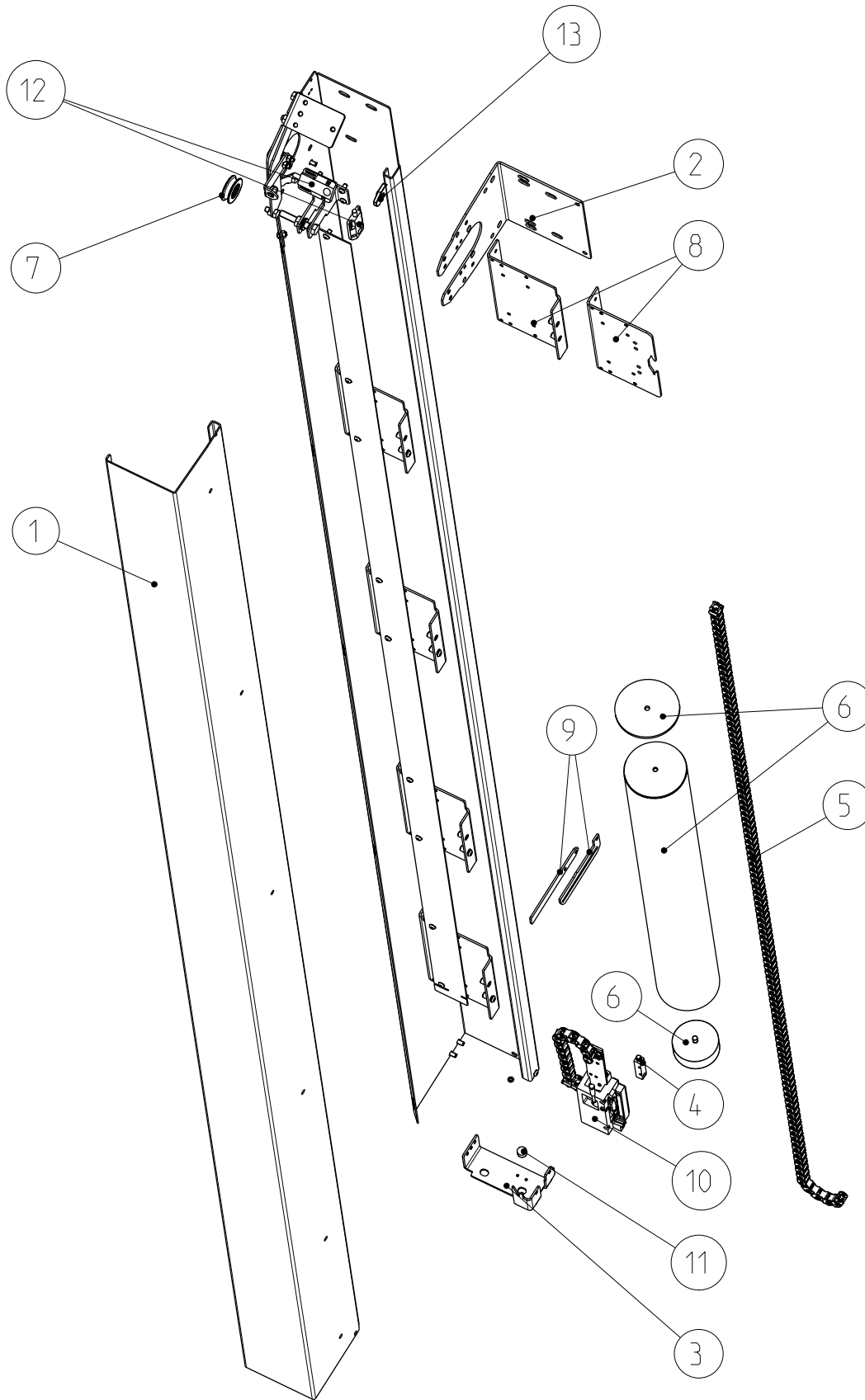
RR Food  
RR Food



RR Food, Version 02			gültig ab ▲ gültig bis valid from ▲ valid to	Art.-Nr.		Delivery time class	Preiseinheit	Anzahl pro Tor Quantity per door	Verschleißteil part / Shtdetalle	Wear
Pos. Item	Description	Bemerkung Note		Item-No	1					
I	<b>Side frame right</b> (see drawing frame complete)									
	RH side frame complete		D8220RG318	G	C	m	1			
1	RH cover profile	with easy open	D4621RG195	G	C	m	1			
	RH cover profile, easy open		D4621RG205	G	C	m	1			
2	RH head plate, drive side	drive side right	D4621R0519		A	Stck./pc.	1			
	RH head plate, non drive side	drive side left	D4621R0520		A	Stck./pc.	1			
3	RH bottom plate	A2	D4621R0511		A	Stck./pc.	1			
4	Photocell transmitter, without bracket		D4904R0211		A	Stck./pc.	1			
	Cable photocell 13,5m 3x0,25		D4907R0035		A	Stck./pc.	1			
5	Cable chain safety edge 900mm	DH≤1500	D8520R0001		A	Stck./pc.	1			
	Cable chain safety edge 1400mm	1500<DH≤2500	D8520R0007		A	Stck./pc.	1			
	Cable chain safety edge 2160mm	DH>2500	D8520R0008		A	Stck./pc.	1			
	Cable chain prerunning photocell 900mm	DH≤1500	D8520R0011		A	Stck./pc.	1			
	Cable chain prerunning photocell 1400mm	1500<DH≤2500	D8520R0009		A	Stck./pc.	1			
	Cable chain prerunning photocell 2160mm	DH>2500	D8520R0010		A	Stck./pc.	1			
	Cable chain crash 900mm	DH≤1500	D8520R0017		A	Stck./pc.	1			
	Cable chain crash 1400mm	1500<DH≤2500	D8520R0015		A	Stck./pc.	1			
	Cable chain crash 2160mm	DH>2500	D8520R0016		A	Stck./pc.	1			
6	Weight Food 1 cpl. = 43,8 kg	with balancing system	D8220R0098		A	Stck./pc.	1			
	Weight Food 2 cpl. = 50,3 kg		D8220R0099		A	Stck./pc.	1			
	Weight Food 3 cpl. = 26 kg		D8220R0101		A	Stck./pc.	1			
	Weight Food 4 cpl. = 34,9 kg		D8220R0102		A	Stck./pc.	1			
	Rubber bumper		D4421R0054		A	Stck./pc.	1			
	Slider for weight		D4121R0500		A	Stck./pc.	1			
7	Deflection pulley	with balancing system	D5003R0013		A	Stck./pc.	1		x	
8	Stiffening complete	without easy open	D4621R0510		A	Stck./pc.	max. 6			
	Stiffening	with easy open	D4621R0508		A	Stck./pc.	max. 6			
9	Level interlocking	with easy open	D4621R0536		A	Stck./pc.	1			
	Operating locking system		D4621R0534		A	Stck./pc.	1			
10	Slider right cpl.	with prerunning photocell and crash	D8120R0110		A	Stck./pc.	1		x	
11	Rubber block	with prerunning photocell	D4402R0082		A	Stck./pc.	max. 2		x	
12	Proximity switch without bracket	with easy open and monitoring	D4905R0082		A	Stck./pc.	max. 2			
13	Bell mouth	with TOP 1,3 curtain	D4121R0428		A	Stck./pc.	1			

Side frame left  
Seitenteil links

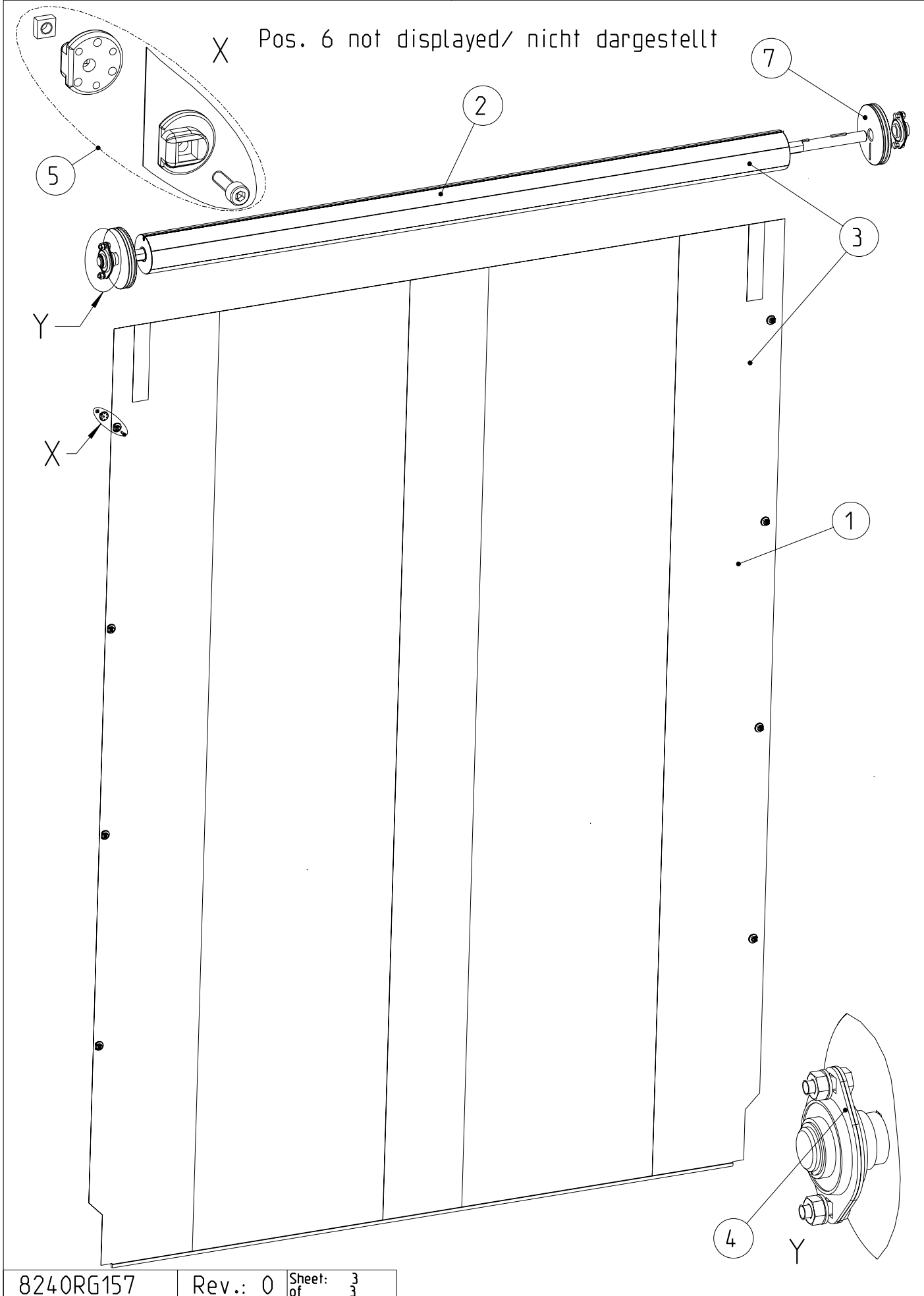
RR Food  
RR Food



1:10

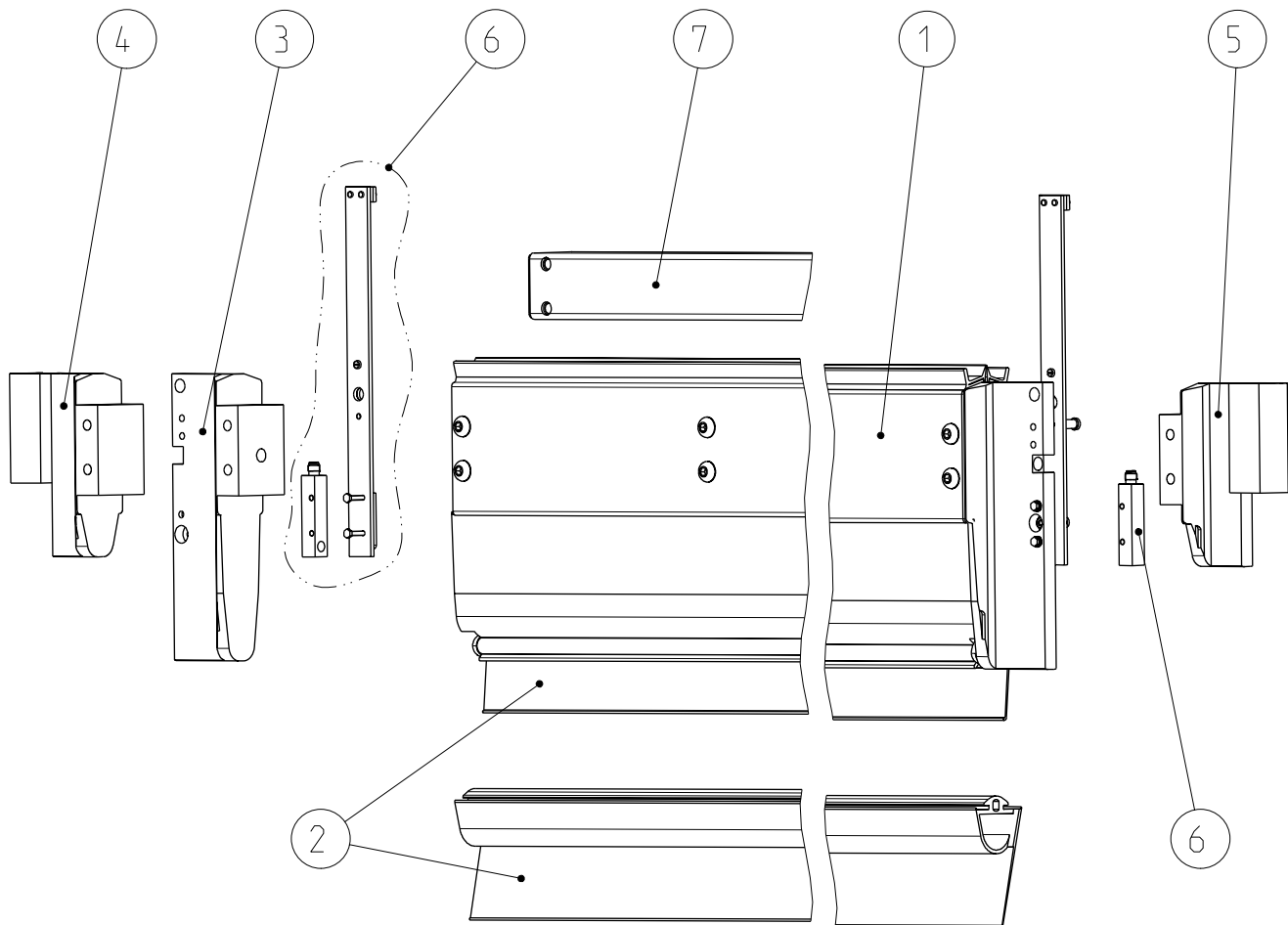
RR Food, Version 02			gültig ab ▲ gültig bis valid from ▲ valid to	Art.-Nr.		Delivery time class	Preiseinheit	Anzahl pro Tor Quantity per door	Verschleißteil part / Shtdetalle	Wear
Pos. Item	Description	Bemerkung Note		Item-No	1					
<b>II</b>	<b>Side frame left</b> (see drawing frame complete)									
	LH side frame complete		D8220RG319	G	C	m	1			
1	LH cover profile	with easy open	D4621RG196	G	C	m	1			
	LH cover profile, easy open		D4621RG206	G	C	m	1			
2	LH head plate, drive side	drive side right	D4621R0519		A	Stck./pc.	1			
	LH head plate, non drive side	drive side left	D4621R0520		A	Stck./pc.	1			
3	LH bottom plate	A2	D4621R0512		A	Stck./pc.	1			
4	Photocell receiver, without bracket		D4904R0283		A	Stck./pc.	1			
	Cable photocell 13,5m 3x0,25		D4907R0035		A	Stck./pc.	1			
5	Cable chain safety edge 900mm	DH≤1500	D8520R0001		A	Stck./pc.	1			
	Cable chain safety edge 1400mm	1500<DH≤2500	D8520R0007		A	Stck./pc.	1			
	Cable chain safety edge 2160mm	DH>2500	D8520R0008		A	Stck./pc.	1			
	Cable chain prerunning photocell 900mm	DH≤1500	D8520R0011		A	Stck./pc.	1			
	Cable chain prerunning photocell 1400mm	1500<DH≤2500	D8520R0009		A	Stck./pc.	1			
	Cable chain prerunning photocell 2160mm	DH>2500	D8520R0010		A	Stck./pc.	1			
	Cable chain crash 900mm	DH≤1500	D8520R0017		A	Stck./pc.	1			
	Cable chain crash 1400mm	1500<DH≤2500	D8520R0015		A	Stck./pc.	1			
	Cable chain crash 2160mm	DH>2500	D8520R0016		A	Stck./pc.	1			
6	Weight Food 1 cpl. = 43,8 kg	with balancing system	D8220R0098		A	Stck./pc.	1			
	Weight Food 2 cpl. = 50,3 kg		D8220R0099		A	Stck./pc.	1			
	Weight Food 3 cpl. = 26 kg		D8220R0101		A	Stck./pc.	1			
	Weight Food 4 cpl. = 34,9 kg		D8220R0102		A	Stck./pc.	1			
	Rubber bumper		D4421R0054		A	Stck./pc.	1			
	Slider for weight		D4121R0500		A	Stck./pc.	1			
7	Deflection pulley	with balancing system	D5003R0013		A	Stck./pc.	1		x	
8	Stiffening complete	without easy open	D4621R0510		A	Stck./pc.	max. 6			
	Stiffening	with easy open	D4621R0508		A	Stck./pc.	max. 6			
9	Level interlocking	with easy open	D4621R0536		A	Stck./pc.	1			
	Operating locking system		D4621R0534		A	Stck./pc.	1			
10	Slider left cpl.	with prerunning photocell and crash	D8120R0111		A	Stck./pc.	1		x	
11	Rubber block	with prerunning photocell	D4402R0082		A	Stck./pc.	max. 2		x	
12	Proximity switch without bracket	with easy open and monitoring	D4905R0082		A	Stck./pc.	max. 2			
13	Bell mouth	with TOP 1,3 curtain	D4121R0428		A	Stck./pc.	1			

Top roll with door blade	RRFood
Wickelwelle mit Torbehang	RRFood



RR Food, Version 02			gültig ab ▲ gültig bis valid from ▲ valid to	Art.-Nr.		Delivery time class	Preiseinheit	Anzahl pro Tor Quantity per door	Verschleißteil part / Shtdetalle
Pos. Item	Description	Bemerkung Note		Item-No	1				
<b>III</b>	<b>Top roll with curtain</b>								
1	Door blade PVC with stripes	white	D8230RG422	G	B		1		
		Base price	D8230RG422			Stck./pc.			
	Reinforcement stripes blue or red	Upcharge	D8230RG422			m <sup>2</sup>			
	Reinforcement stripes in special colours		D8230RG422		C				
	Door blade PVC with stripes, FDA	white	D8230RG422		D	m <sup>2</sup>	1		
	Door blade Travitop 1,3 without vision panel	blue, red or grey	D8230RG423	G	B	m <sup>2</sup>	1		
	Door blade Travitop 1,3 with vision panel		D8230RG423	G	B	m <sup>2</sup>	1		
2	Top roll alu with va shafts, with bearings		D8240RG158	G	C	m	1		
3	Top roll alu with va shafts, with bearings and door blade		D8240RG157	G	D		1		
4	Flange bearing D 30		D8140R0062		A	Stck./pc.	2	x	
5	Windbreaktap (12 pcs.)		D8130R0009		A	Stck./pc.	1	x	
6	Rope da=7 L=5100		D5105R0010		A	Stck./pc.	2	x	
7	Rope pulley D=50	with balancing system	D4701R0224		A	Stck./pc.	2		
	Rope pulley D=42		D4721R0289		A	Stck./pc.	2		

Bottom profile	RR Food
Abschlussprofil	RR Food

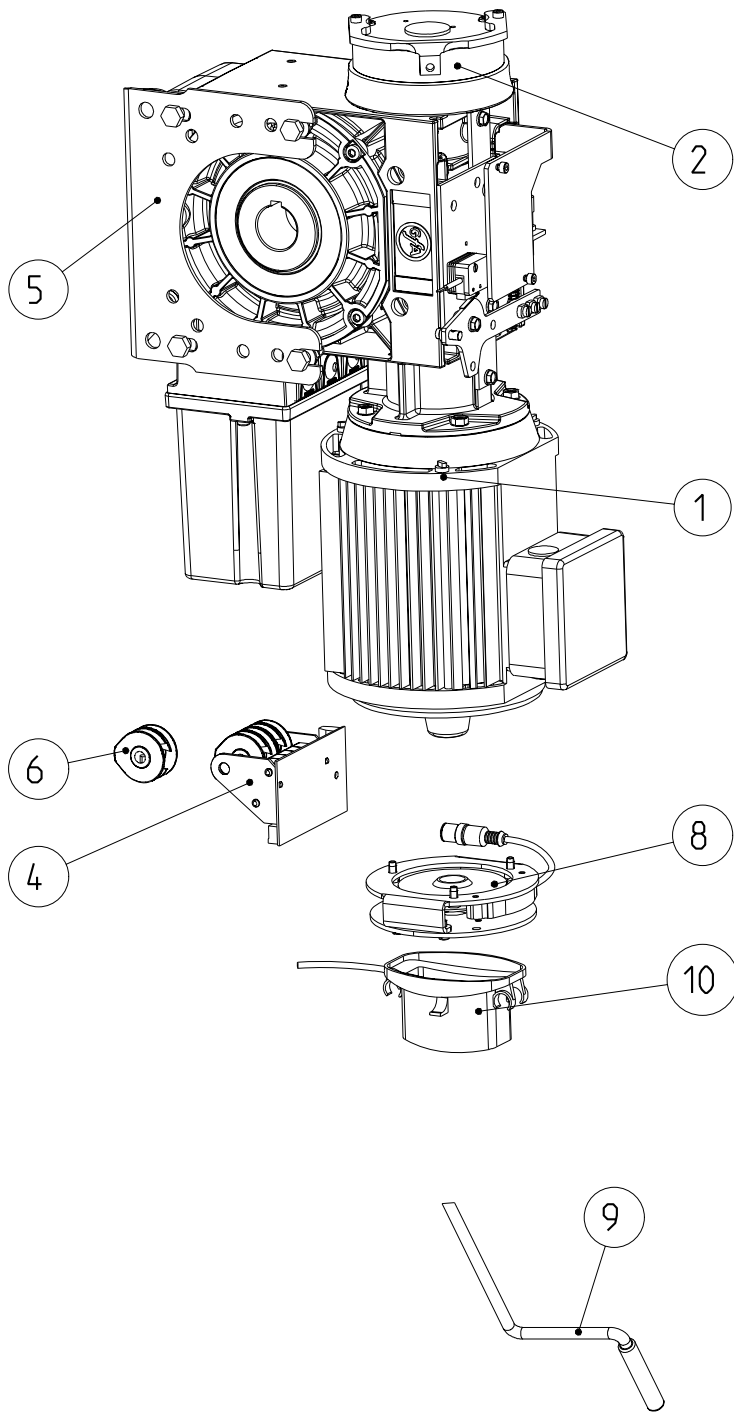




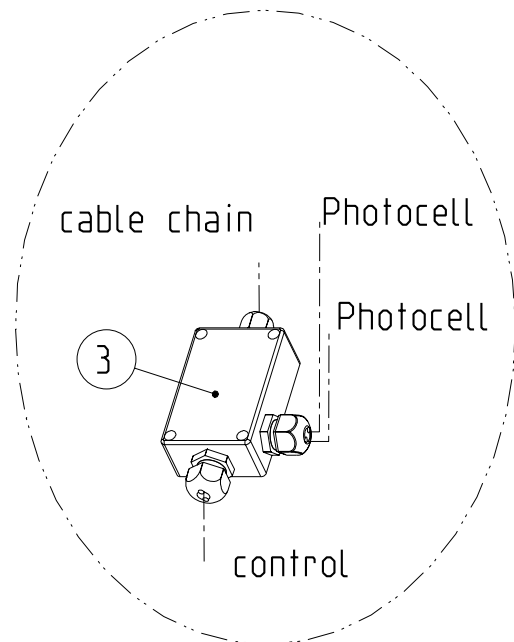
RR Food, Version 02			gültig ab ► gültig bis valid from ► valid to	Art.-Nr.		Delivery time class	Preiseinheit	Anzahl pro Tor Quantity per door	Wear part / Stkdetaile
Pos. Item	Description	Bemerkung Note		Item-No	1				
<b>IV</b>	<b>Bottom profile with safety edge</b>								
	Bottom profile complete	A2	D8550RG065	G	C	m	1		
1	Sheet bottom profile food	A2	D4621RG189	G	C	m	2		
2	Rubber profile with integrated safety edge	safety edge without ext. sealing lip	D4421RG036	G	B	m	1		
	Rubber profile with integrated safety edge, elongated sealing-lip	safety edge with ext. sealing lip	D4421RG037	G	C	m	1		
	Rubber profile for prerunning photocell	prerunning photocell without ext. sealing lip	D4421RG013	G	B	m	1		
	Rubber profile for prerunning photocell, elongated sealing-lip	prerunning photocell with ext. sealing lip	D4421RG014	G	C	m	1		
3	Sliding part safety edge	safety edge	D4121R0483		A	Stck./pc.	2	x	
4	RH sliding part prerunning photocell, without crash	prerunning photocell without crash	D4121R0466		A	Stck./pc.	1	x	
	LH sliding part prerunning photocell, without crash		D4121R0467		A	Stck./pc.	1	x	
5	Sliding part prerunning photocell with crash	prerunning photocell with crash	D4121R0494		A	Stck./pc.	2	x	
6	Prerunning photocell ri./le. Without sliding part	prerunning photocell without crash	D8450R0007		A	Stck./pc.	1		
	Safety photocell transmitter - yellow	LH (**)	►2011-08 just in pair 2011-09 ► also single	D4904R0544		A	Stck./pc.	1	
	Safety photocell receiver - yellow	RH (**)		D4904R0545		A	Stck./pc.	1	
7	Weight		D8220R0100		A	Stck./pc.	2		

(\*\*) Doors ordered before end of 2011/08 needs a pair of Transmitter/Receiver (Pos.6)

Drive unit complete	RR Food
Antrieb komplett	RR Food

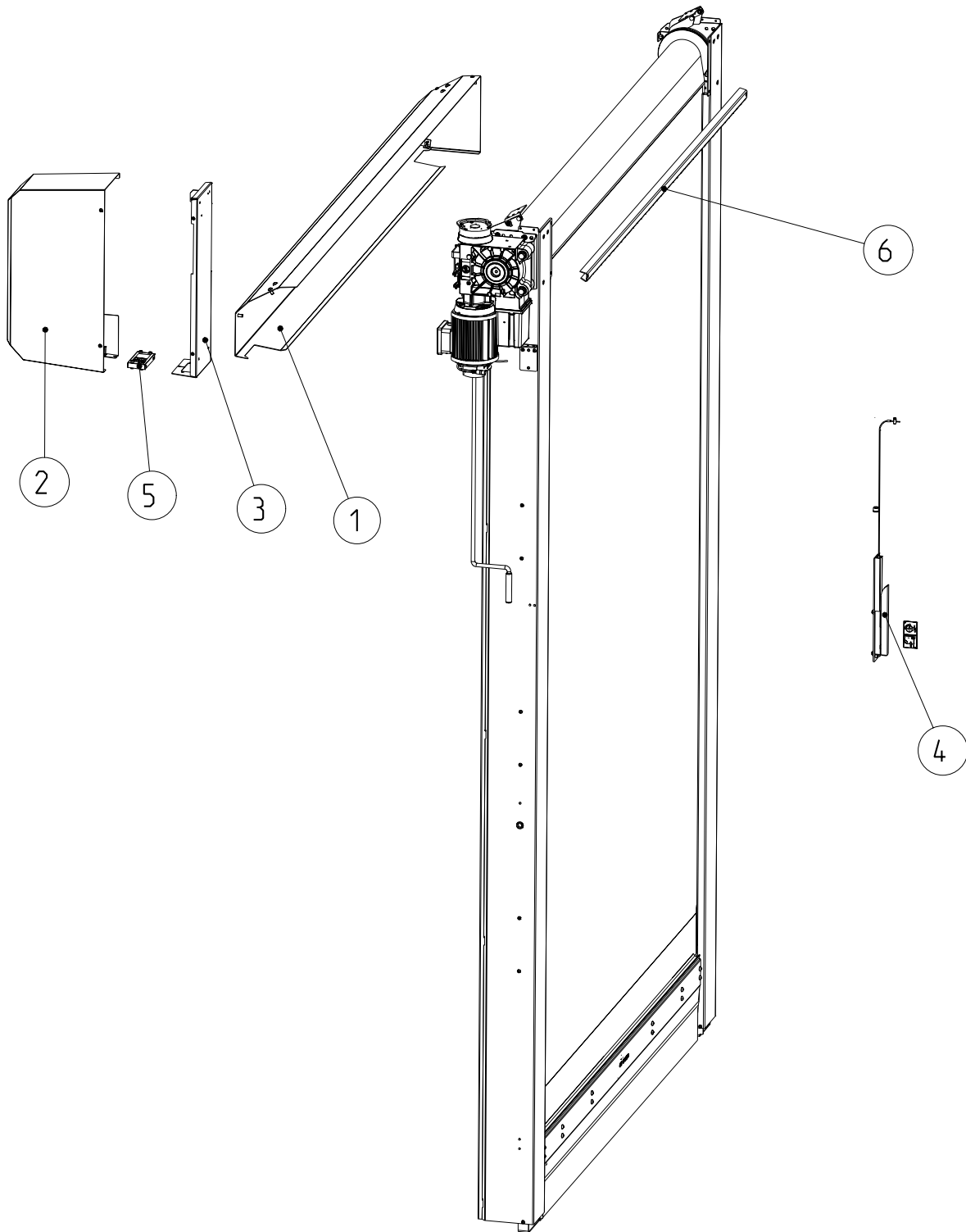


Pos.7 not displdyed/ nicht dargestellt



RR Food, Version 02			gültig ab ▲ gültig bis valid from ▲ valid to	Art.-Nr.		Delivery time class	Preiseinheit	Anzahl pro Tor Quantity per door	Verschleißteil part / Shtdetalle	Wear
Pos. Item	Description	Bemerkung Note		Item-No	1					
<b>VI</b>	<b>Drive unit</b>									
	Gear motor cpl.	No E-Connection	D8410RG097	G	B	Stck./pc.	1			
1	Gear motor	without balance system and with ACS50 or without control	D6601R0139		A	Stck./pc.	1			
	Gear motor with MCC encoder	without balance system and with MCC	D8910R0092		B	Stck./pc.	1			
	Gear motor	with balance system and with ACS50 or without control	D6601R0139		A	Stck./pc.	1			
	Gear motor with MCC encoder	with balance system and with MCC	D8910R0093		B	Stck./pc.	1			
2	Break		D6622R0026		A	Stck./pc.	1			
3	Terminal box with cable 9x0,75		D8570RG001	G	B	Stck./pc.	1			
4	Limit switch section, 6 switches		D4905018		A	Stck./pc.	1			
5	Torque arm	A2	D8110R0087		A	Stck./pc.	1			
6	Cam		D4801240		D	Stck./pc.	1			
7	E-Connection ACS 50	ACS 50, without control	D8903RG144	G	B		1			
		Base Price				Stck./pc.				
		Upcharge				m				
	E-Connection MCC	MCC	D8903RG145	G	B		1			
		Base Price				Stck./pc.				
		Upcharge			m					
8	Encoder with bracket	MCC	D8410R0093		A	Stck./pc.	1			
9	Crank	without balancing, H≤2000	D4521R1081		A	Stck./pc.	1			
	Crank	without balancing, 2000 < H < 3000	D4521R0968		A	Stck./pc.	1			
	Crank	without balancing, H>3000	D4521R1425		A	Stck./pc.	1			
10	Emergency crank handle switch	without balancing	D4905R0228		A	Stck./pc.	1			

Options	RR Food
Optionen	RR Food



RR Food, Version 02			gültig ab ▲ gültig bis valid from ▲ valid to	Art.-Nr.		Delivery time class	Preiseinheit	Anzahl pro Tor Quantity per door	Wear part / Sittdetalle
Pos. Item	Description	Bemerkung Note		Item-No	1				
<b>VIII Options</b>									
1	Top roll cover with cap, drive side RH	A2		D8260RG050	G	C	m	1	
	Top roll cover with cap, drive side LH	A2		D8260RG051	G	C	m	1	
	Cap for top roll cover, drive side RH	A2		D4621R0513		A	Stck./pc.	1	
	Cap for top roll cover, drive side LH	A2		D4621R0514		A	Stck./pc.	1	
2	Motor cover 6°, RH	A2		D4621R0558		A	Stck./pc.	1	
	Motor cover 6°, LH	A2		D4621R0559		A	Stck./pc.	1	
3	Wall plate motor cover RH	A2		D4621R0554		A	Stck./pc.	1	
	Wall plate motor cover LH	A2		D4621R0555		A	Stck./pc.	1	
4	Bowden cable compl. A2	with balancing system		D8110R0100		B	Stck./pc.	1	
	Emergency lever, opposite side A2			D8170R0346		B	Stck./pc.	1	
5	Cable entry frame with sleeve	with motor cover		D8160R0132		A	Stck./pc.	1	
6	Distance profile (lintel profile)			D4621RG199	G	C	m	1	

Legend	
<b>1</b>	
G	Generic Item
<b>Delivery time</b>	
A	Within 24 hours
B	2-3 Workdays
C	5-8 Workdays
D	10-14 Workdays
<b>Wear parts</b>	
x	Standard wear with time/use

