



sterdil®

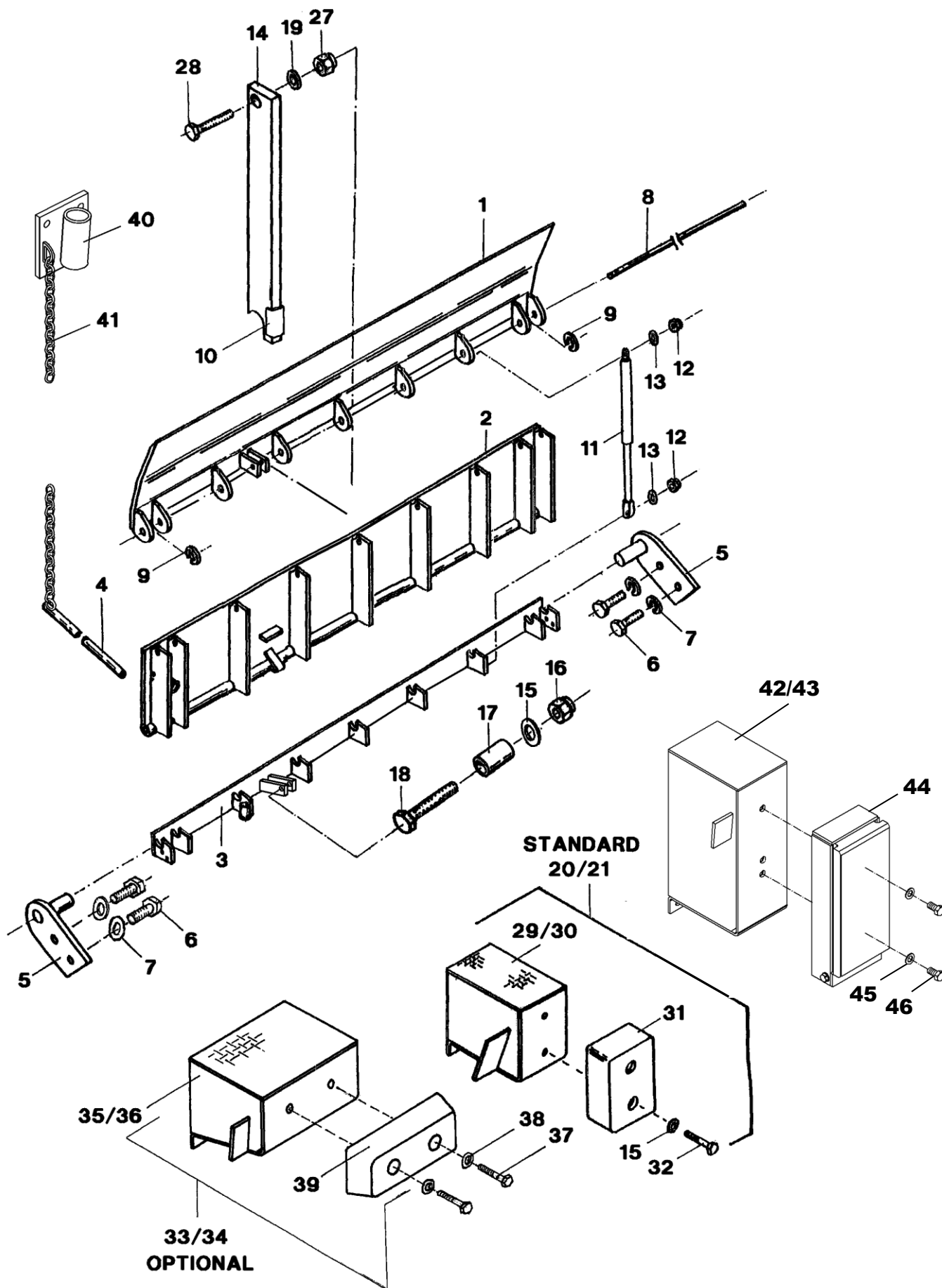
Spare Parts List LA dockleveller

Sterdil UK Ltd
Unit A, Brackmills Business Park
Caswell Road
Northampton
NN4 7PW
Tel: 0870 770 0471
email: info@sterdil.co.uk
web: www.sterdil.co.uk

FIG. A - ASSEMBLY MINI-DOCKLEVELLER

INDEX	REFERENCE	DESCRIPTION
1	03-111-250	Lip (355 mm) LA 72 HP
	03-116-250	Lip (355 mm) LA 72 LP
	03-111-910	Lip (390 mm) LA 72 HP-V
	03-116-910	Lip (390 mm) LA 72 LP-V
	03-112-250	Lip (355 mm) LA 2000 HP
	03-117-250	Lip (355 mm) LA 2000 LP
	03-113-250	Lip (355 mm) LA 21100 HP
	03-118-250	Lip (355 mm) LA 2110 LP
2	03-111-200	Top plate assembly LA 72
	03-112-200	Top plate assembly LA 2000
	03-113-200	Top plate assembly LA 2110
3	03-111-150	Hinge assembly LA 72
	03-112-150	Hinge assembly LA 2000
	03-113-150	Hinge assembly LA 2110
4	03-111-001	Hand lever
5	03-110-050	Pivot plate
6	65-003-405	Bolt M10 x 25 8.8 DIN 933
7	65-058-028	Spring washer A10.2 DIN 127
8	03-110-002	Hinge pin LA 72
	03-112-002	Hinge pin LA 2000
	03-113-002	Hinge pin LA 2110
9	65-062-036	Circlip RA 19 DIN 6799
10	03-110-077	U-profile
11	03-110-003	Gas spring (lip 355 mm) LA 72HP/LP
	03-111-903	Gas spring (lip 390 mm) LA 72 HP/LP-V
	03-111-903	Gas spring (lip 355 mm) LA 2000 HP/LP
	5-A3-738	Gas spring (lip 355 mm) LA 2110 HP/LP
12	65-051-032	Self locking nut M8 8 DIN 985
13	65-055-028	Washer A8.4 St. DIN 125
14	03-110-076	Lip lifter
15	65-055-432	Washer M16 DIN 9021
16	65-051-040	Self locking nut M16 8 DIN 985
17	03-110-004	Roller-lip lifter
18	65-002-540	Bolt M16 x 90 8.8 DIN 931
19	65-055-021	Washer A13 St. DIN 125
20	03-110-350	Bumper assembly (left)
21	03-110-300	Bumper assembly (right)
27	65-051-036	Self locking nut M12 8 DIN 985
28	65-002-451	Bolt M12 x 50 8.8 DIN 931
29	03-110-325	Bumper support assembly (right)
30	03-110-375	Bumper support assembly (left)
31	00-154-356	Bumper
32	65-002-537	Bolt M16 x 75 8.8 DIN 931
33	03-110-700	Bumper assembly (right)
34	03-110-750	Bumper assembly (left)
35	03-110-725	Bumper support assembly (right)
36	03-110-775	Bumper support assembly (left)
37	65-002-536	Bolt M16 x 70 8.8 DIN 931
38	65-055-314	Washer M16 DIN 440
39	00-920-680	Bumper
40	03-111-600	Holder hand lever
41	03-110-006	Chain hand lever
42	03-112-972	Bumper console PE 220 (left)
43	03-112-973	Bumper console PE 220 (right)
44	03-860-000	PE-bumper (black)
45	65-055-028	Washer M20 DIN 125
46	65-003-607	Bolt M20x40 8.8 DIN 933

FIG. A





Manufactured by:

