



stertil[®]

HP/10,5 and HP/12 dockleveller

Spare Parts List

STERTIL B.V.
WESTKERN 3
9288 CA KOOTSTERTILLE, NL

FIG. A - PARTS OF SUBFRAME, LIP AND DECK

INDEX	REFERENCE	REFERENCE	REFERENCE	REFERENCE	DESCRIPTION
	HP/10,5 608	HP/10,5 600	HP/12 708	HP/12 700	
1	04.231.000	04.251.000	04.241.000	04.261.000	Deck
2	04.232.000	04.252.000	04.242.000	04.262.000	Subframe
3	04.233.000	04.233.000	04.243.000	04.243.000	Lip
4	01.510.426	01.510.426	01.510.426	01.510.426	Hose main cylinder
6	04.230.014	04.340.014	04.240.014	04.240.014	Lip shaft
7	04.230.110	04.230.110	04.230.110	04.230.110	CTL support assembly
7.1	04.230.130	04.230.130	04.230.130	04.230.130	Support
7.2	01.410.150	01.410.150	01.410.150	01.410.150	Support
7.3	00.030.195	00.030.195	00.030.195	00.030.195	Spring
7.4	01.410.101	01.410.101	01.410.101	01.410.101	Hinge pin
7.5	65.074.216	65.074.216	65.074.216	65.074.216	Cotter pin
8	65.058.032	65.058.032	65.058.032	65.058.032	Spring washer
9	65.050.136	65.050.136	65.050.136	65.050.136	Nut
10	65.058.028	65.058.028	65.058.028	65.058.028	Spring washer
11	65.003.403	65.003.403	65.003.403	65.003.403	Bolt
12	02.230.016	02.250.016	02.230.016	02.250.016	Toe protector R
13	02.230.015	02.250.015	02.230.015	02.250.015	Toe protector L
14	65.025.007	65.025.007	65.025.007	65.025.007	Bolt
15	65.055.712	65.055.712	65.055.712	65.055.712	Washer
16	65.051.034	65.051.034	65.051.034	65.051.034	Nut
17	04.230.011	04.230.011	04.230.011	04.230.011	Hinge pin
18	65.062.041	65.062.041	65.062.041	65.062.041	Lock washer
19	90.899.024	90.899.024	90.899.024	90.899.024	Marking
20	04.230.017	04.230.017	04.230.017	04.230.017	Spacer
21	04.230.023	04.250.023	04.230.023	04.250.023	Maintenance support
22	-	02.250.017	-	02.250.017	Sliding label
23	04.230.025	04.250.025	04.230.025	04.250.025	Beam

FIG. A

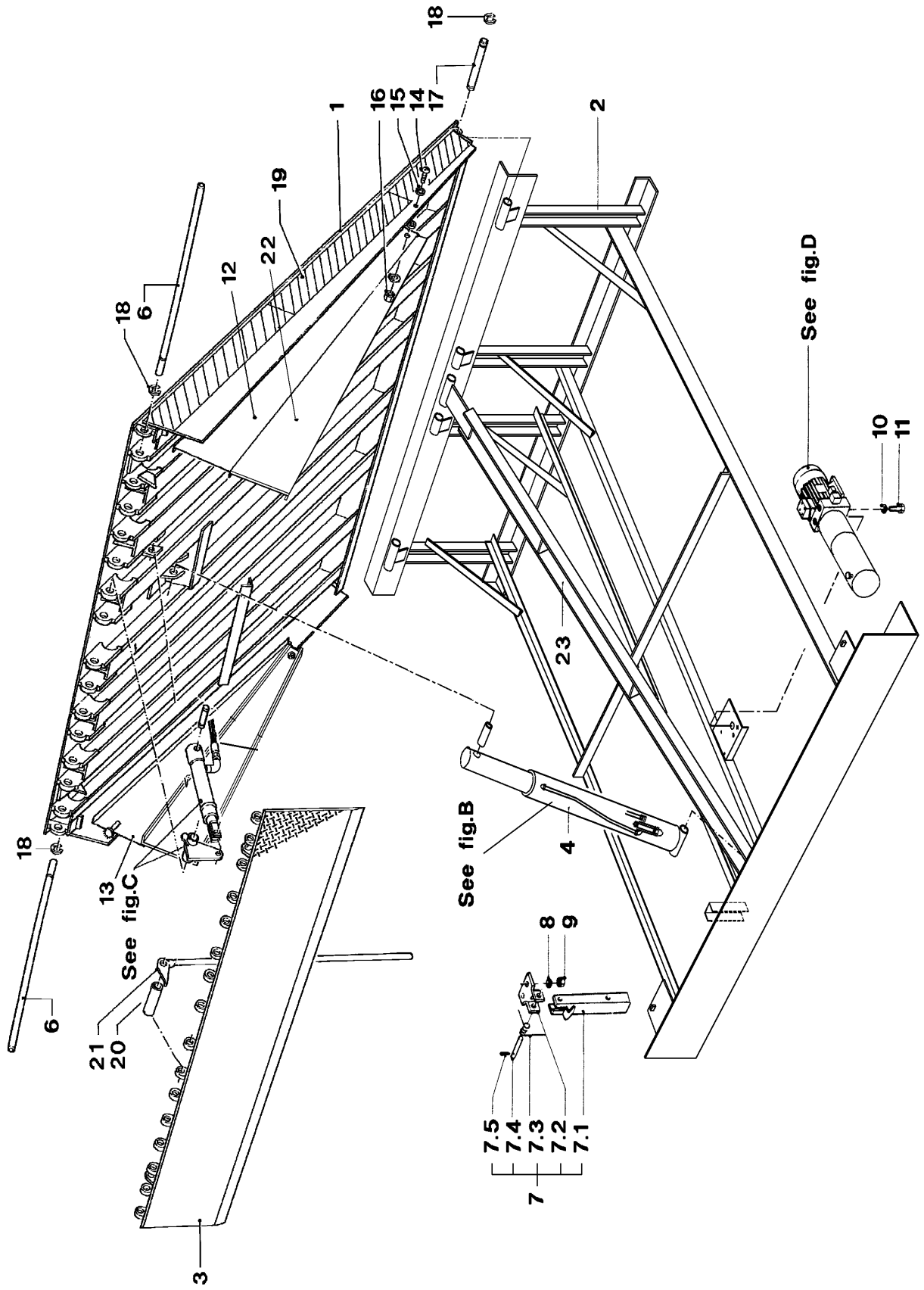


FIG. B - MAIN CYLINDER

INDEX	REFERENCE	REFERENCE	DESCRIPTION
	HP/10,5 608	HP/10,5 600	
	HP/12 708	HP/12 700	
1	04.230.100	04.250.100	Cylinder (Including pos. 4 and 5)
2	04.230.011	04.230.011	Pin
3	04.230.019	04.230.019	Pin
4	04.250.103	04.250.103	Adaptor
5	04.250.102	04.250.102	Valve
6	01.510.426	01.510.426	Hose main cylinder
7	65.062.041	65.062.041	Lock washer

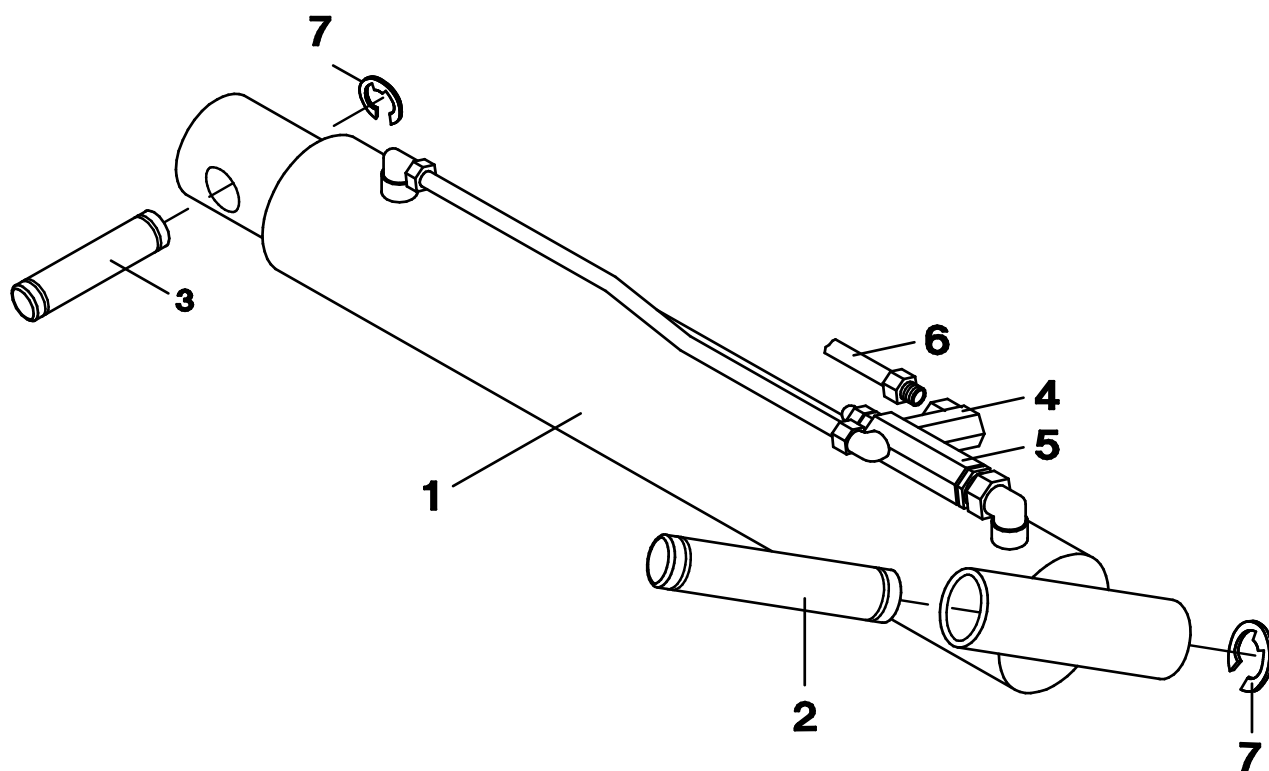


FIG. C - LIP CYLINDER

INDEX	REFERENCE	DESCRIPTION
	HP/10,5 HP/12	
1	01.510.550	Cylinder
2	04.230.050	Lip lifter
3	01.510.020	Pin
4	65.077.101	Roll pin
5	02.335.019	Pin
6	65.062.028	Lock washer
7	02.335.601	Hose lip cylinder
8	68.790.013	Adaptor

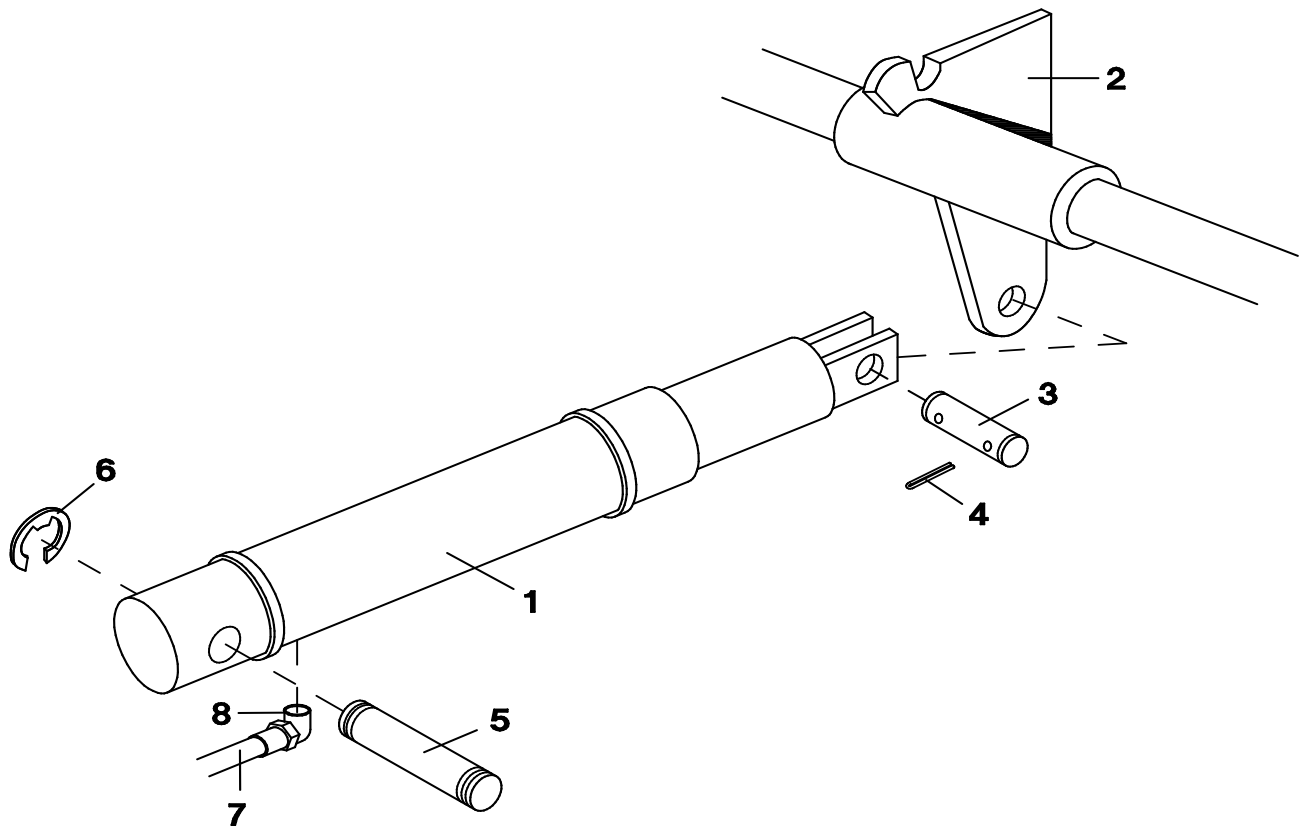
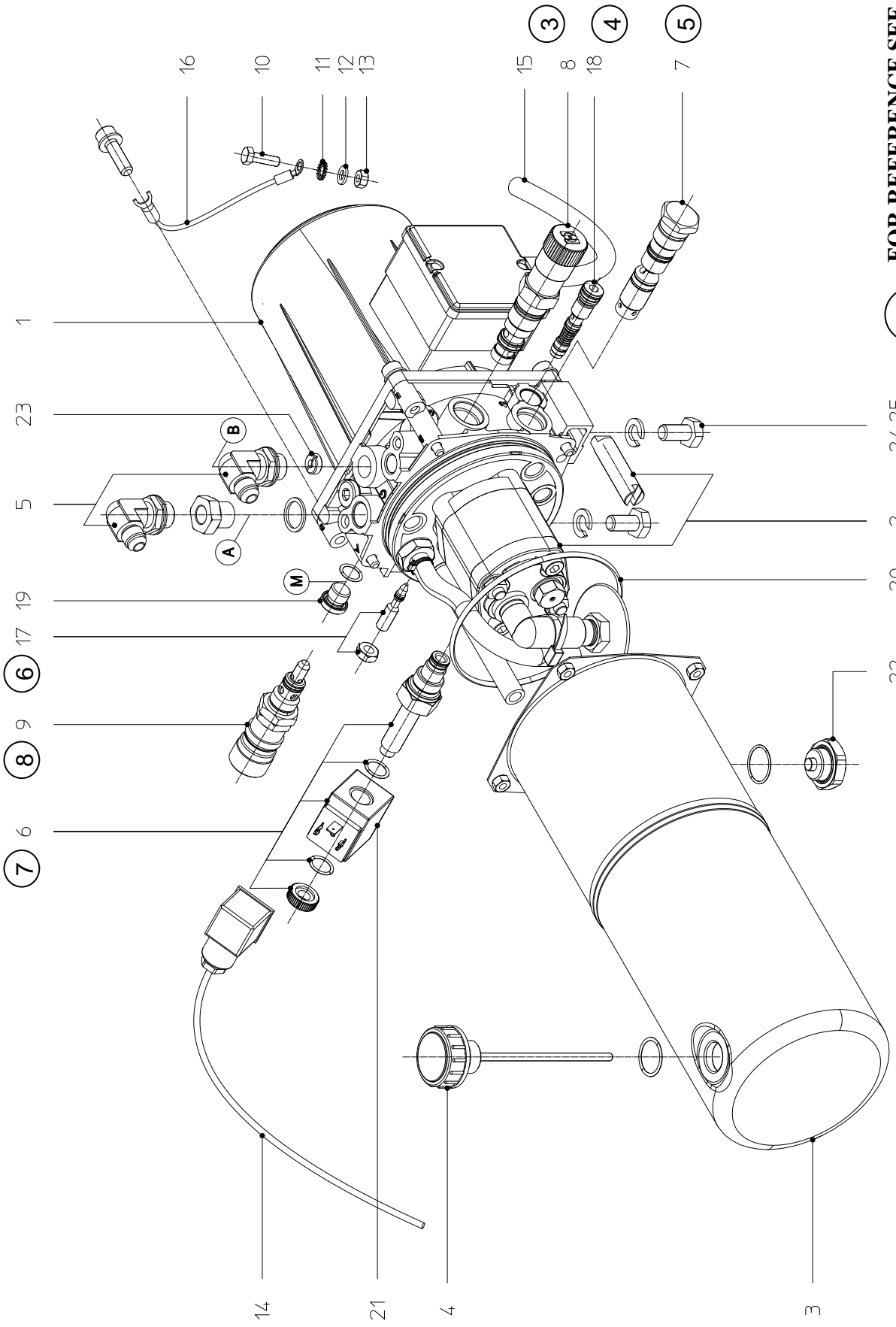


FIG. D - MOTORPUMPUNIT

INDEX	REFERENCE	DESCRIPTION
	06.000.620	Motorpumpunit assembly (excl. fittings)
1	02.335.611	Elektro-motor
2	06.000.612	Pump
2a	06.000.613	Coupling
3	02.335.613	Tank
4	02.335.634	Cap with dip-stick
5	68.790.016	Adaptor
6	68.308.002	Stop valve
7	02.335.666	Special valve
8	06.000.627	Sequence valve
9	68.039.020	Pressure relief valve
10	65.003.287	Bolt
11	1038.27.00.64	Toothed washer
12	65.055.015	Washer
13	65.050.128	Nut
14	02.210.021	Control cable (for stop valve)
15	01.810.763	Motor cable
16	02.335.602	Earth cable
17	-	Throttle
18	06.000.628	Special valve
19	02.335.663	Plug
20	02.335.622	O-ring tank
21	69.481.501	Coil
22	-	Drain plug
23	-	Orifice

FIG. D

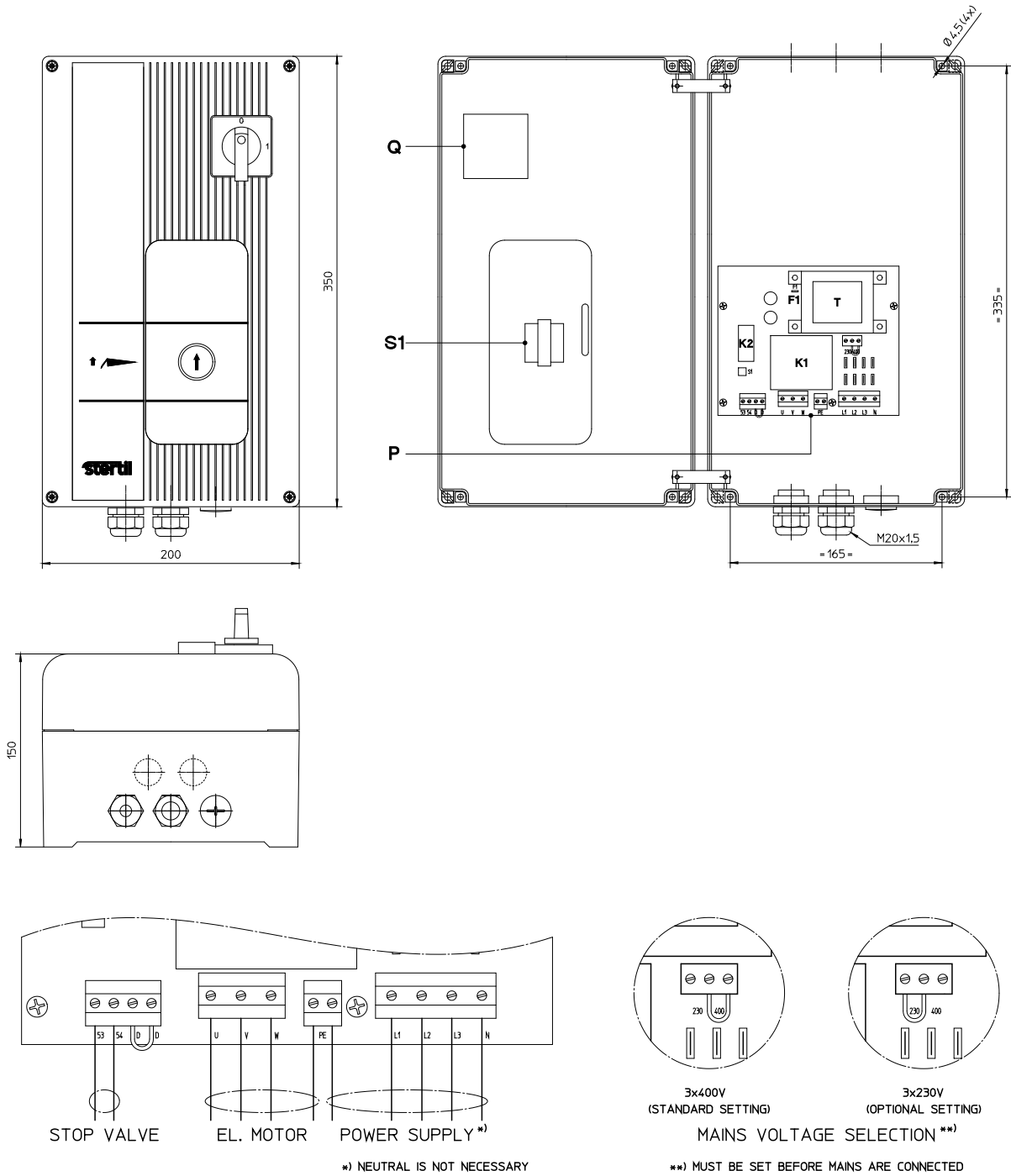


FOR REFERENCE SEE
FIG. E - HYDR. DIAGRAM



24,25
2
20
22

FIG. F – SBC CONTROL BOX 230/400V



*) NEUTRAL IS NOT NECESSARY

***) MUST BE SET BEFORE MAINS ARE CONNECTED

Index	Reference	Description			
	06050700	Bedieningskast (compleet)	Schaltkasten (komplett)	Control box (complete)	Boîtier de commande (complet)
	06050702	Deksel (zonder Q en S1)	Deckel (ohne Q und S1)	Cover (without Q and S1)	Couvercle (sans Q et S1)
Q	69120038	Hoofdschakelaar	Hauptschalter	Main switch	Interrupteur principal
K1	-	Magneetschakelaar	Magnetschalter	Magnetic switch	Interrupteur magnetique
P	69900270	Print basic 230/400V	Leiterplatte basic 230/400V	PCB basic 230/400V	Circuit imprimé basic 230/400V
F1	-	Automatische zekering	Automatischer Sicherung	Automatic fuse	Fusible automatique
T	-	Transformator	Transformator	Transformer	Transformateur
S1	69141131	Schakelaar (complete)	Schalter (komplett)	Switch (complete)	Interrupteur (complet)